

Top Chord Extensions, K-Series

STANDARD ASD LOAD TABLE STANDARD LRFD LOAD TABLE FOR TOP CHORD EXTENSIONS (S TYPE) and (R TYPE)

Based on a 50 ksi Maximum Yield Strength
ASD Load Table adopted by the Steel Joist Institute November 15, 1989
LRFD Load Table adopted by the Steel Joist Institute May 1, 2000
Revised to May 18, 2010 – Effective December 31, 2010

Joist extensions are commonly furnished to support a variety of overhang conditions. Two types are pictured below. The first is the TOP CHORD EXTENSION or "S" TYPE, which has only the top chord angles extended. The second is the EXTENDED END or "R" TYPE in which the standard 2½, (64 mm) end bearing depth is maintained over the entire length of the extension. The "S" TYPE extension is so designated because of its Simple nature whereas the "R" TYPE involves Reinforcing the top chord angles. The **specifying professional** should be aware that an "S" TYPE is more economical and should be specified whenever possible.

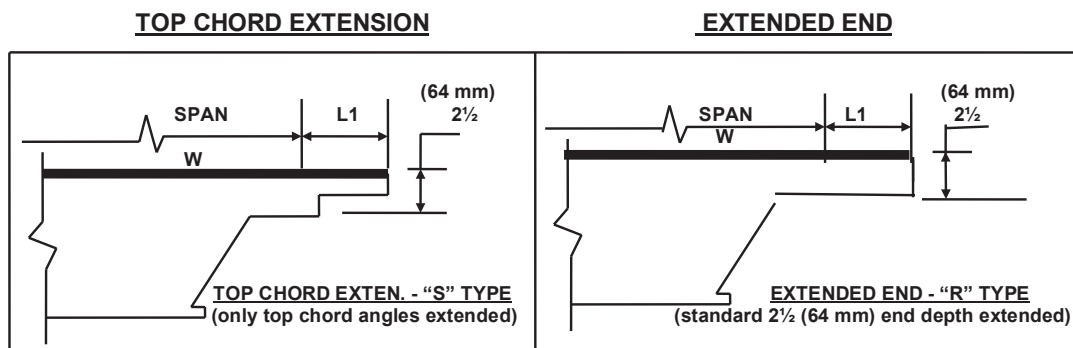
The following load tables are for K-Series TOP CHORD EXTENSIONS and EXTENDED ENDS for **ASD** and **LRFD** methods of design. The tabulated values are the maximum allowable uniform load in pounds per linear foot (kiloNewton/meter). The "S" and "I" numbers shown in the load tables are the Elastic Section Modulus and Moment of Inertia of the extension (Section) number with which they are associated.

In cases where it is not possible to meet specific job requirements with a 2½" (64 mm) deep "R" type extension (refer to "S" and "I" values in the Extended End Load Table), the depth of the extension must be increased to provide greater load-carrying capacity.

The "S" and "R" extension numbers are intended to be associated with Standard K-Series Joist Sizes of matching Section Number. When possible, the extension number should be limited to no more than the Standard K-Series Joist Section Number, for optimum economy.

When TOP CHORD EXTENSIONS or EXTENDED ENDS are specified the bracing requirements must be considered by the specifying professional.

It should be noted that an "R" TYPE extension must be specified when building details dictate a 2½, (64 mm) depth at the end of the extension. In the absence of specific instructions, the joist manufacturer may provide either type.



W = Uniform Load L1 = Length of Extension SPAN = See K-Series Standard Specification for Definition of Span



Discover the easiest way to specify steel joists and Joist Girders:

www.newmill.com/digital-tools

Top Chord Extensions, K-Series

ASD

STANDARD LOAD TABLE FOR JOIST TOP CHORD EXTENSIONS, R-TYPE
BASED ON 50 KSI YIELD

TOP CHORD EXTENSION LENGTH (L1)			0'-6"	1'-0"	1'-6"	2'-0"	2'-6"	3'-0"	3'-6"	4'-0"	4'-6"	5'-0"	5'-6"	6'-0"
TYPE	S _x (in ³)	I _x (in ⁴)	LOADS SHOWN IN POUNDS PER LINEAR FOOT (plf)											
R1	0.895	1.119	550	550	550	550	550	446	332	257	205	167	139	117
R2	0.923	1.157	550	550	550	550	550	460	343	266	212	173	144	121
R3	1.039	1.299	550	550	550	550	550	518	386	299	239	195	162	137
R4	1.147	1.433	550	550	550	550	550	550	426	330	263	214	178	150
R5	1.249	1.561	550	550	550	550	550	550	464	359	286	233	194	164
R6	1.352	1.690	550	550	550	550	550	550	502	389	310	253	210	177
R7	1.422	1.802	550	550	550	550	550	550	528	409	326	266	221	186
R8	1.558	1.948	550	550	550	550	550	550	550	448	357	291	242	204
R9	1.673	2.091	550	550	550	550	550	550	550	481	384	313	260	219
R10	1.931	2.414	550	550	550	550	550	550	550	550	443	361	300	253
R11	2.183	2.729	550	550	550	550	550	550	550	550	501	408	339	287
R12	2.413	3.016	550	550	550	550	550	550	550	550	550	451	375	317

LRFD

STANDARD LOAD TABLE FOR JOIST TOP CHORD EXTENSIONS, R-TYPE
BASED ON 50 KSI YIELD

TOP CHORD EXTENSION LENGTH (L1)			0'-6"	1'-0"	1'-6"	2'-0"	2'-6"	3'-0"	3'-6"	4'-0"	4'-6"	5'-0"	5'-6"	6'-0"
TYPE	S _x (in ³)	I _x (in ⁴)	LOADS SHOWN IN POUNDS PER LINEAR FOOT (plf)											
R1	0.895	1.119	825	825	825	825	825	669	498	385	307	250	208	175
R2	0.923	1.157	825	825	825	825	825	690	514	399	318	259	216	181
R3	1.039	1.299	825	825	825	825	825	777	579	448	358	292	243	205
R4	1.147	1.433	825	825	825	825	825	825	639	495	394	321	267	225
R5	1.249	1.561	825	825	825	825	825	825	696	538	429	349	291	246
R6	1.352	1.690	825	825	825	825	825	825	753	583	465	379	315	265
R7	1.422	1.802	825	825	825	825	825	825	792	613	489	399	331	279
R8	1.558	1.948	825	825	825	825	825	825	825	672	535	436	363	306
R9	1.673	2.091	825	825	825	825	825	825	825	721	576	469	390	328
R10	1.931	2.414	825	825	825	825	825	825	825	825	664	541	450	379
R11	2.183	2.729	825	825	825	825	825	825	825	825	751	612	508	430
R12	2.413	3.016	825	825	825	825	825	825	825	825	825	676	562	475



Introduction
 General Joist Information
 Economical Design Guide
 Top Chord Ext., K-Series
 Joist Substitutes & Outriggers
 KCS Joists
 Joist LRFD Load Tables
 Joist ASD Load Tables
 Load/Load Weight Tables
 Joist Girder Weight Tables
 SJI Standard Specifications
 SJI Code of Stand. Practice
 Fire Resistance Ratings
 OSHA Safety Standards

Top Chord Extensions, K-Series

ASD

STANDARD LOAD TABLE FOR JOIST TOP CHORD EXTENSIONS, S-TYPE
BASED ON 50 KSI YIELD

TOP CHORD EXTENSION LENGTH (L1)			0'-6"	1'-0"	1'-6"	2'-0"	2'-6"	3'-0"	3'-6"	4'-0"	4'-6"
TYPE	S_x (in ³)	I_x (in ⁴)	LOADS SHOWN IN POUNDS PER LINEAR FOOT (plf)								
S1	0.099	0.088	550	363	178	105					
S2	0.127	0.138	550	467	229	135					
S3	0.144	0.156	550	529	259	153					
S4	0.160	0.172	550	550	288	170	112				
S5	0.176	0.188	550	550	316	187	123				
S6	0.192	0.204	550	550	345	204	135				
S7	0.241	0.306	550	550	433	256	169	120			
S8	0.266	0.332	550	550	478	283	187	132			
S9	0.288	0.358	550	550	518	306	202	143	107		
S10	0.380	0.544	550	550	550	404	267	189	141	109	
S11	0.438	0.622	550	550	550	466	307	218	162	126	100
S12	0.494	0.696	550	550	550	526	347	246	183	142	113

LRFD

STANDARD LOAD TABLE FOR JOIST TOP CHORD EXTENSIONS, S-TYPE
BASED ON 50 KSI YIELD

TOP CHORD EXTENSION LENGTH (L1)			0'-6"	1'-0"	1'-6"	2'-0"	2'-6"	3'-0"	3'-6"	4'-0"	4'-6"
TYPE	S_x (in ³)	I_x (in ⁴)	LOADS SHOWN IN POUNDS PER LINEAR FOOT (plf)								
S1	0.099	0.088	825	544	267	157					
S2	0.127	0.138	825	700	343	202					
S3	0.144	0.156	825	793	388	229					
S4	0.160	0.172	825	825	432	255	168				
S5	0.176	0.188	825	825	474	280	184				
S6	0.192	0.204	825	825	517	306	202				
S7	0.241	0.306	825	825	649	384	253	180			
S8	0.266	0.332	825	825	717	424	280	198			
S9	0.288	0.358	825	825	777	459	303	214	160		
S10	0.380	0.544	825	825	825	606	400	283	211	163	
S11	0.438	0.622	825	825	825	699	460	327	243	189	150
S12	0.494	0.696	825	825	825	789	520	369	274	213	169



Discover the easiest way to specify steel joists and Joist Girders:

www.newmill.com/digital-tools

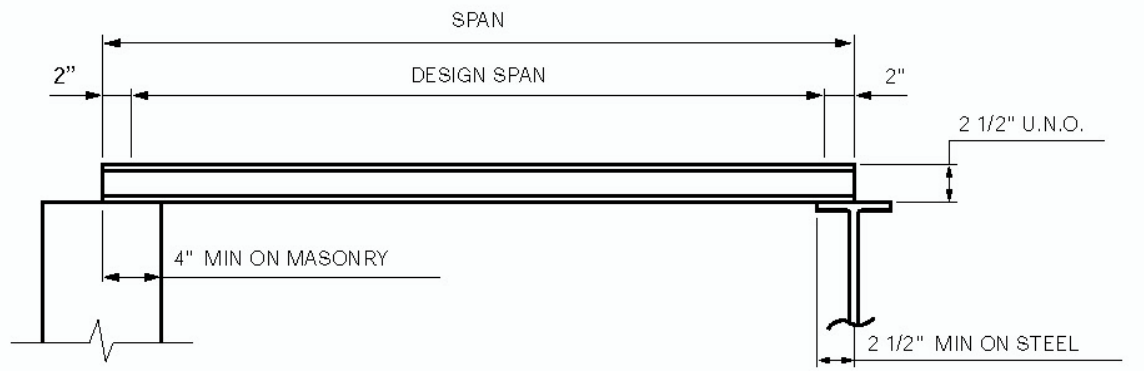
Joist Substitutes and Outriggers, K-Series

STANDARD ASD LOAD TABLE STANDARD LRFD LOAD TABLE FOR JOIST SUBSTITUTES AND OUTRIGGERS

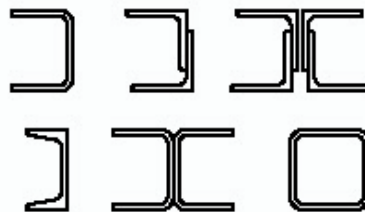
Based on a 50 ksi Maximum Yield Strength
LRFD Load Table adopted by the Steel Joist Institute May 1, 2001
Revised to May 18, 2010 – Effective December 31, 2010

JOIST SUBSTITUTES, SIMPLE SPAN LOAD TABLES

Joist substitutes are 2.5 inch (64 mm) deep sections intended for use in very short spans (less than 10 feet (3.05 m)) where Open Web Steel Joists are impractical. They are commonly specified to span over hallways and short spans in skewed bays.



Joist substitutes are solid members that can be manufactured from material conforming to the Steel Joist Institute Standard Specifications and can be made of hot rolled or cold-formed channels or HSS as shown below.



Full lateral support to the compressive flange is provided by attachments to the deck. Caution must be exercised during erection since joist substitutes exhibit some degree of instability. After erection and before loads of any description are placed on the joist substitutes, the ends must be attached to the supports per the SJI Standard Specification for Open Web Steel Joists, K-Series and the deck installed and attached to the top flange.



Joist Substitutes and Outriggers, K-Series

The Simple Span Joist Substitutes Load Tables list uniform loads based on **LRFD** and **ASD** methods of design and are shown in U.S. Customary Units.

The **BLACK** figures in the **LRFD** Load Table gives the TOTAL safe factored uniformly distributed load-carrying capacity in pounds per linear foot, of 2.5 Inch Joist Substitutes. The **BLACK** figures in the **ASD** Load Table gives the TOTAL safe uniformly distributed load-carrying capacity in pounds per linear foot, of 2.5 Inch Joist Substitutes.

The **RED** figures in the Load Table represent the unfactored, uniform load, in pounds per linear foot, which will produce an approximate joist substitute deflection of 1/360 of the span. This load can be linearly prorated to obtain the unfactored, uniform load for supplementary deflection criteria (i.e. an unfactored uniform load which will produce a joist substitute deflection of 1/240 of the span may be obtained by multiplying the **RED** figure by 360/240). In no case shall the prorated, unfactored load exceed the unfactored TOTAL load-carrying capacity of the joist substitute as given in the **ASD** Load Table for 2.5 Inch Simple Span Joist Substitutes, **K-Series**.

Minimum section properties shall be provided for the particular 2.5K type specified even at shorter spans where the developed load capacity may exceed 550 plf (**ASD**) or 825 plf (**LRFD**).

2.5K JOIST SUBSTITUTES PROPERTIES			
2.5K TYPE	2.5K1	2.5K2	2.5K3
S in ³	0.62	0.86	1.20
I in ⁴	0.77	1.07	1.50
Approximate weight (lbs/ft)	3.0	4.2	6.4

LRFD

LOAD TABLES FOR 2.5 INCH SIMPLE SPAN JOIST SUBSTITUTES, K-SERIES			
Based on a Maximum Yield Strength of 50 ksi			
Designation	2.5K1	2.5K2	2.5K3
Span (ft-in)	Pounds per Linear foot		
4'-0"	825	825	825
	550	550	550
5'-0"	825	825	825
	326	452	550
6'-0"	579	804	825
	182	253	354
7'-0"	418	580	810
	112	155	218
8'-0"	316	439	612
	73	102	143
9'-0"	0	343	480
	0	71	99
10'-0"	0	0	385
	0	0	71

ASD

LOAD TABLES FOR 2.5 INCH SIMPLE SPAN JOIST SUBSTITUTES, K-SERIES			
Based on a Maximum Yield Strength of 50 ksi			
Designation	2.5K1	2.5K2	2.5K3
Span (ft-in)	Pounds per Linear Foot		
4'-0"	550	550	550
	550	550	550
5'-0"	550	550	550
	326	452	550
6'-0"	386	536	550
	182	253	354
7'-0"	279	387	540
	112	155	218
8'-0"	211	293	408
	73	102	143
9'-0"	0	229	320
	0	71	99
10'-0"	0	0	257
	0	0	71



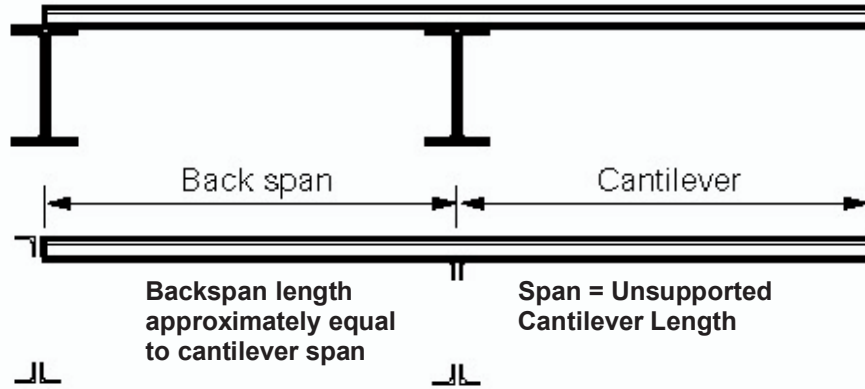
Discover the easiest way to specify steel joists and Joist Girders:

www.newmill.com/digital-tools

Joist Substitutes and Outriggers, K-Series

JOIST SUBSTITUTES, OUTRIGGERS LOAD TABLES

Joist substitutes may be used in an outrigger condition where the member is overhanging one support as illustrated below where a portion is the back span and the remainder is the cantilever span or outrigger. Joist substitutes used in this configuration are 2.5 inch (64 mm) deep sections.



The Joist Outriggers Load Tables list uniform loads based on **LRFD** and **ASD** methods of design and are shown in U.S. Customary Units.

The **BLACK** figures in the **LRFD** Load Table gives the TOTAL safe factored uniformly distributed load-carrying capacity in pounds per linear foot, of 2.5 Inch Joist Outriggers. The **BLACK** figures in the **ASD** Load Table gives the TOTAL safe uniformly distributed load-carrying capacity in pounds per linear foot, of 2.5 Inch Joist Outriggers.

Serviceability requirements must be checked by the specifying professional. When calculating the actual live load deflection at the end of the cantilever it is necessary to consider the length of the back span.

Minimum section properties shall be provided for the particular 2.5K type specified even at shorter spans where the developed load capacity may exceed 550 plf (**ASD**) or 825 plf (**LRFD**).



Joist Substitutes and Outriggers, K-Series

LRFD

LOAD TABLES FOR 2.5 INCH JOIST OUTRIGGERS, K-SERIES									
OUTRIGGER TYPE	TOTAL ALLOWABLE LOAD FOR UNSUPPORTED CANTILEVER								
	PLF								
	SPAN ft-in								
	2'-0"	2'-6"	3'-0"	3'-6"	4'-0"	4'-6"	5'-0"	5'-6"	6'-0"
2.5K1	825	744	516	379	291	229	186	153	129
2.5K2	825	825	717	526	403	318	258	213	179
2.5K3	825	825	825	735	562	444	360	297	250

ASD

LOAD TABLES FOR 2.5 INCH JOIST OUTRIGGERS, K-SERIES									
OUTRIGGER TYPE	TOTAL ALLOWABLE LOAD FOR UNSUPPORTED CANTILEVER								
	PLF								
	SPAN ft-in								
	2'-0"	2'-6"	3'-0"	3'-6"	4'-0"	4'-6"	5'-0"	5'-6"	6'-0"
2.5K1	550	496	344	253	194	153	124	102	86
2.5K2	550	550	478	351	269	212	172	142	119
2.5K3	550	550	550	490	375	296	240	198	167



Discover the easiest way to specify steel joists and Joist Girders:

www.newmill.com/digital-tools

STANDARD LRFD LOAD TABLE FOR KCS JOISTS

Based on a 50 ksi Maximum Yield Strength
Adopted by the Steel Joist Institute May 1, 2000
Revised to May 18, 2010 – Effective December 31, 2010

The figures in the following table give the Moment Capacity (kip-in.) and Shear Capacity (lbs). The maximum uniformly distributed load capacity in **LRFD** shall not exceed 825 plf and a single concentrated load cannot exceed the shear capacity. Sloped parallel-chord **KCS** Joists shall use the appropriate moment and shear capacity for the span as defined by the length along the slope.

The approximate **KCS** Joist weights per linear foot shown in this table do not include accessories.

The **KCS** Joist designation is not used to establish bridging requirements. The Bridging Table Section Numbers given in the **KCS** Standard Load Table indicate the equivalent **K-Series** joist of the same depth to be used for determination of the number of bridging rows, the size of horizontal bridging, and the need for erection stability bridging. While the need for erection stability bridging (diagonal bridging with bolted connections at the chords and intersections), can be determined from the **RED** shaded portion of the Standard Load Table, Open Web Steel Joists, **K-Series**, for convenience the **KCS** Load Table also includes a column for erection stability bridging. Where the span of the **KCS** Joist designation exceeds the length in ft. listed, the row of bridging nearest the joist midspan shall be erection stability bridging. Where "NA" is listed in the column, the **KCS** Joist designation does not require bolted diagonal erection bridging regardless of span.

For the proper handling of concentrated and/or varying loads, see Section 2.3 in the Code of Standard Practice for Steel Joists and Joist Girders.



LRFD

STANDARD LOAD TABLE FOR OPEN WEB STEEL JOISTS, KCS BASED ON 50 KSI YIELD

JOIST DESIGNATION	DEPTH (in)	MOMENT CAPACITY (k-in)	SHEAR CAPACITY* (lbs)	APPROX. WEIGHT** (lbs/ft)	GROSS MOMENT OF INERTIA (in ⁴)	ERECTION STABILITY BRIDGING REQ'D (ft)	BRIDGING TABLE SECTION NUMBER
10KCS1	10	258	3000	6.0	29	NA	1
10KCS2	10	337	3750	7.5	37	NA	1
10KCS3	10	444	4500	10.0	47	NA	1
12KCS1	12	313	3600	6.0	43	NA	3
12KCS2	12	411	4500	8.0	55	NA	5
12KCS3	12	543	5250	10.0	71	NA	5
14KCS1	14	370	4350	6.5	59	NA	4
14KCS2	14	486	5100	8.0	77	NA	6
14KCS3	14	642	5850	10.0	99	NA	6
16KCS2	16	523	6000	8.5	99	NA	6
16KCS3	16	705	7200	10.5	128	NA	9
16KCS4	16	1080	7950	14.5	192	NA	9
16KCS5	16	1401	8700	18.0	245	NA	9
18KCS2	18	592	7050	9.0	127	35-0	6
18KCS3	18	798	7800	11.0	164	NA	9
18KCS4	18	1225	8550	15.0	247	NA	10
18KCS5	18	1593	9300	18.5	316	NA	10
20KCS2	20	663	7800	9.5	159	36-0	6
20KCS3	20	892	9000	11.5	205	39-0	9
20KCS4	20	1371	11850	16.5	308	NA	10
20KCS5	20	1786	12600	20.0	396	NA	10
22KCS2	22	732	8850	10.0	194	36-0	6
22KCS3	22	987	9900	12.5	251	40-0	9
22KCS4	22	1518	11850	16.5	377	NA	11
22KCS5	22	1978	12900	20.5	485	NA	11
24KCS2	24	801	9450	10.0	232	39-0	6
24KCS3	24	1080	10800	12.5	301	44-0	9
24KCS4	24	1662	12600	16.5	453	NA	12
24KCS5	24	2172	13350	20.5	584	NA	12
26KCS2	26	870	9900	10.0	274	39-0	6
26KCS3	26	1174	11700	12.5	355	44-0	9
26KCS4	26	1809	12750	16.5	536	NA	12
26KCS5	26	2364	13800	20.5	691	NA	12
28KCS2	28	939	10350	10.5	320	40-0	6
28KCS3	28	1269	12000	12.5	414	45-0	9
28KCS4	28	1954	12750	16.5	626	53-0	12
28KCS5	28	2556	13800	20.5	808	53-0	12
30KCS3	30	1362	12000	13.0	478	45-0	9
30KCS4	30	2100	12750	16.5	722	54-0	12
30KCS5	30	2749	13800	21.0	934	54-0	12

*Maximum uniformly distributed load capacity is 550 plf and single concentrated load cannot exceed shear capacity

**Does not include accessories



Discover the easiest way to specify steel joists and Joist Girders:

www.newmill.com/digital-tools

STANDARD ASD LOAD TABLE FOR KCS JOISTS

Based on a 50 ksi Maximum Yield Strength
Adopted by the Steel Joist Institute May 2, 1994
Revised to May 18, 2010 – Effective December 31, 2010

The figures in the following table give the Moment Capacity (kip-in.) and Shear Capacity (lbs). The maximum uniformly distributed load capacity in **ASD** shall not exceed 550 plf and a single concentrated load cannot exceed the shear capacity. Sloped parallel-chord **KCS** Joists shall use the appropriate moment and shear capacity for the span as defined by the length along the slope.

The approximate **KCS** Joist weights per linear foot shown in the table do not include accessories.

The **KCS** Joist designation is not used to establish bridging requirements. The Bridging Table Section Numbers given in the **KCS** Standard Load Table indicate the equivalent **K-Series** joist of the same depth to be used for determination of the number of bridging rows, the size of horizontal bridging, and the need for erection stability bridging. While the need for erection stability bridging (diagonal bridging with bolted connections at the chords and intersections), can be determined from the **RED** shaded portion of the Standard Load Table, Open Web Steel Joists, **K-Series**, for convenience the **KCS** Load Table also includes a column for erection stability bridging. Where the span of the **KCS** Joist designation exceeds the length in ft. listed, the row of bridging nearest the joist midspan shall be erection stability bridging. Where "NA" is listed in the column, the **KCS** Joist designation does not require bolted diagonal erection bridging regardless of span.

For the proper handling of concentrated and/or varying loads, see Section 2.3 in the Code of Standard Practice for Steel Joists and Joist Girders.



ASD

STANDARD LOAD TABLE FOR OPEN WEB STEEL JOISTS, KCS BASED ON 50 KSI YIELD

JOIST DESIGNATION	DEPTH (in)	MOMENT CAPACITY (k-in)	SHEAR CAPACITY* (lbs)	APPROX. WEIGHT** (lbs/ft)	GROSS MOMENT OF INERTIA (in ⁴)	ERECTION STABILITY BRIDGING REQ'D (ft)	BRIDGING TABLE SECTION NUMBER
10KCS1	10	172	2000	6.0	29	NA	1
10KCS2	10	225	2500	7.5	37	NA	1
10KCS3	10	296	3000	10.0	47	NA	1
12KCS1	12	209	2400	6.0	43	NA	3
12KCS2	12	274	3000	8.0	55	NA	5
12KCS3	12	362	3500	10.0	71	NA	5
14KCS1	14	247	2900	6.5	59	NA	4
14KCS2	14	324	3400	8.0	77	NA	6
14KCS3	14	428	3900	10.0	99	NA	6
16KCS2	16	349	4000	8.5	99	NA	6
16KCS3	16	470	4800	10.5	128	NA	9
16KCS4	16	720	5300	14.5	192	NA	9
16KCS5	16	934	5800	18.0	245	NA	9
18KCS2	18	395	4700	9.0	127	35-0	6
18KCS3	18	532	5200	11.0	164	NA	9
18KCS4	18	817	5700	15.0	247	NA	10
18KCS5	18	1062	6200	18.5	316	NA	10
20KCS2	20	442	5200	9.5	159	36-0	6
20KCS3	20	595	6000	11.5	205	39-0	9
20KCS4	20	914	7900	16.5	308	NA	10
20KCS5	20	1191	8400	20.0	396	NA	10
22KCS2	22	488	5900	10.0	194	36-0	6
22KCS3	22	658	6600	12.5	251	40-0	9
22KCS4	22	1012	7900	16.5	377	NA	11
22KCS5	22	1319	8600	20.5	485	NA	11
24KCS2	24	534	6300	10.0	232	39-0	6
24KCS3	24	720	7200	12.5	301	44-0	9
24KCS4	24	1108	8400	16.5	453	NA	12
24KCS5	24	1448	8900	20.5	584	NA	12
26KCS2	26	580	6600	10.0	274	39-0	6
26KCS3	26	783	7800	12.5	355	44-0	9
26KCS4	26	1206	8500	16.5	536	NA	12
26KCS5	26	1576	9200	20.5	691	NA	12
28KCS2	28	626	6900	10.5	320	40-0	6
28KCS3	28	846	8000	12.5	414	45-0	9
28KCS4	28	1303	8500	16.5	626	53-0	12
28KCS5	28	1704	9200	20.5	808	53-0	12
30KCS3	30	908	8000	13.0	478	45-0	9
30KCS4	30	1400	8500	16.5	722	54-0	12
30KCS5	30	1833	9200	21.0	934	54-0	12

*Maximum uniformly distributed load capacity is 550 plf and single concentrated load cannot exceed shear capacity

**Does not include accessories



Discover the easiest way to specify steel joists and Joist Girders:

www.newmill.com/digital-tools

Joist LRFD Load Tables – K-Series

American National Standard SJI-K-2010

STANDARD LRFD LOAD TABLE OPEN WEB STEEL JOISTS, K-SERIES

Based on a 50 ksi Maximum Yield Strength
Adopted by the Steel Joist Institute May 1, 2000
Revised to May 18, 2010 – Effective December 31, 2010

The **BLACK** figures in the Load Table give the TOTAL safe factored uniformly distributed load-carrying capacities, in pounds per linear foot, of **LRFD K-Series** Steel Joists.

The approximate joist weights, in pounds per linear foot, given in the Load Table may be added to the other building weights to determine the unfactored DEAD load. In all cases the factored DEAD load, including the joist self-weight, must be deducted from the TOTAL load to determine the factored LIVE load. The approximate joist weights do not include accessories.

The **RED** figures in the Load Table represent the unfactored uniform load, in pounds per linear foot, which will produce an approximate joist deflection of 1/360 of the span. This load can be linearly prorated to obtain the unfactored uniform load for supplementary deflection criteria (i.e. an unfactored uniform load which will produce a joist deflection of 1/240 of the span may be obtained by multiplying the **RED** figures by 360/240). In no case shall the prorated, unfactored load exceed the unfactored TOTAL load-carrying capacity of the joist as given in the Standard **ASD** Load Table for Open Web Steel Joists, **K-Series**.

Where the joist span is in the **RED SHADED** area of the Load Table, the row of bridging nearest the mid span shall be diagonal bridging with bolted connections at chords and intersections. Hoisting cables shall not be released until this row of bolted diagonal bridging is completely installed. The **RED SHADED** area extends up through 60'-0".

The approximate gross moment of inertia (not adjusted for shear deformation), in inches⁴, of a standard joist listed in the Load Table may be determined as follows:

$$I_j = 26.767(W)(L^3)(10^{-6}), \text{ where } W = \text{RED figure in the Load Table, and} \\ L = (\text{span} - 0.33) \text{ in feet.}$$

The TOTAL safe factored uniformly distributed load-carrying capacities, in pounds per linear foot, of **LRFD K-Series** Steel Joists shall not exceed 825 plf for spans shorter than what is explicitly shown in the Load Table. The maximum prorated unfactored RED load shall not exceed 550 plf (the TOTAL load-carrying capacity of the joist as given in the Standard **ASD** Load Table for Open Web Steel Joists, **K-Series**).

Loads for span increments not explicitly given in the Load Table may be determined using linear interpolation between the load values given in adjacent span columns.

For the proper handling of concentrated and/or varying loads, see Section 2.3 in the Code of Standard Practice for Steel Joist and Joist Girders.



Joist LRFD Load Tables – K-Series

LRFD															
STANDARD LOAD TABLE FOR OPEN WEB STEEL JOISTS, K-SERIES															
BASED ON 50 KSI YIELD															
JOIST DESIGNATION	10K1	12K1	12K3	12K5	14K1	14K3	14K4	14K6	16K2	16K3	16K4	16K5	16K6	16K7	16K9
DEPTH (in)	10	12	12	12	14	14	14	14	16	16	16	16	16	16	16
APPROX. WT. (lbs/ft)	5.0	5.0	5.7	7.1	5.2	6.0	6.7	7.7	5.5	6.3	7.0	7.5	8.1	8.6	10.0
SPAN (ft)	LOADS SHOWN IN POUNDS PER LINEAR FOOT (plf)														
10	825 550														
11	825 542														
12	825 455	825 550	825 550	825 550											
13	718 363	825 510	825 510	825 510											
14	618 289	750 425	825 463	825 463	825 550	825 550	825 550	825 550							
15	537 234	651 344	814 428	825 434	766 475	825 507	825 507	825 507							
16	469 192	570 282	714 351	825 396	672 390	825 467	825 467	825 467	825 550	825 550	825 550	825 550	825 550	825 550	825 550
17	415 159	504 234	630 291	825 366	592 324	742 404	825 443	825 443	768 488	825 526	825 526	825 526	825 526	825 526	825 526
18	369 134	448 197	561 245	760 317	528 272	661 339	795 397	825 408	684 409	762 456	825 490	825 490	825 490	825 490	825 490
19	331 113	402 167	502 207	681 269	472 230	592 287	712 336	825 383	612 347	682 386	820 452	825 455	825 455	825 455	825 455
20	298 97	361 142	453 177	613 230	426 197	534 246	642 287	787 347	552 297	615 330	739 386	825 426	825 426	825 426	825 426
21		327 123	409 153	555 198	385 170	483 212	582 248	712 299	499 255	556 285	670 333	754 373	822 405	825 406	825 406
22		298 106	373 132	505 172	351 147	439 184	529 215	648 259	454 222	505 247	609 289	687 323	747 351	825 385	825 385
23		271 93	340 116	462 150	321 128	402 160	483 188	592 226	415 194	462 216	556 252	627 282	682 307	760 339	825 363
24		249 81	312 101	423 132	294 113	367 141	442 165	543 199	381 170	424 189	510 221	576 248	627 269	697 298	825 346
25					270 100	339 124	408 145	501 175	351 150	390 167	469 195	529 219	576 238	642 263	771 311
26					249 88	313 110	376 129	462 156	324 133	360 148	433 173	489 194	532 211	592 233	711 276
27					231 79	289 98	349 115	427 139	300 119	334 132	402 155	453 173	493 188	549 208	658 246
28					214 70	270 88	324 103	397 124	279 106	310 118	373 138	421 155	459 168	510 186	612 220
29									259 95	289 106	348 124	391 139	427 151	475 167	570 198
30									241 86	270 96	324 112	366 126	399 137	444 151	532 178
31									226 78	252 87	304 101	342 114	373 124	415 137	498 161
32									213 71	237 79	285 92	321 103	349 112	388 124	466 147



Discover the easiest way to specify steel joists and Joist Girders:

www.newmill.com/digital-tools

- Introduction
- General Joist Information
- Economical Design Guide
- Top Chord Ex'r, K-Series
- Joist Substitutes & Outriggers
- KCS Joists
- Joist LRFD Load Tables
- Joist ASD Load Tables
- Load/Load Weight Tables
- Joist Girder Weight Tables
- SJI Standard Specifications
- SJI Code of Stand. Practice
- Fire Resistance Ratings
- OSHA Safety Standards

Joist LRFD Load Tables – K-Series

LRFD

STANDARD LOAD TABLE FOR OPEN WEB STEEL JOISTS, K-SERIES BASED ON 50 KSI YIELD

JOIST DESIGNATION	18K3	18K4	18K5	18K6	18K7	18K9	18K10	20K3	20K4	20K5	20K6	20K7	20K9	20K10	22K4	22K5	22K6	22K7	22K9	22K10	22K11
DEPTH (in)	18	18	18	18	18	18	18	20	20	20	20	20	20	20	22	22	22	22	22	22	22
APPROX. WT. (lbs/ft)	6.4	7.2	7.7	8.4	8.9	10.1	11.6	6.5	7.2	7.7	8.4	8.9	10.1	11.6	7.3	7.7	8.5	9.0	10.2	11.7	11.9
SPAN (ft)	LOADS SHOWN IN POUNDS PER LINEAR FOOT (plf)																				
18	825	825	825	825	825	825	825														
	550	550	550	550	550	550	550														
19	771	825	825	825	825	825	825	825	825	825	825	825	825	825							
	494	523	523	523	523	523	523	550	550	550	550	550	550	550							
20	694	825	825	825	825	825	825	775	825	825	825	825	825	825							
	423	490	490	490	490	490	490	517	550	550	550	550	550	550							
21	630	759	825	825	825	825	825	702	825	825	825	825	825	825	825	825	825	825	825	825	825
	364	426	460	460	460	460	460	453	520	520	520	520	520	520	550	550	550	550	550	550	550
22	573	690	777	825	825	825	825	639	771	825	825	825	825	825	825	825	825	825	825	825	825
	316	370	414	438	438	438	438	393	461	490	490	490	490	490	548	548	548	548	548	548	548
23	523	630	709	774	825	825	825	583	703	793	825	825	825	825	777	825	825	825	825	825	825
	276	323	362	393	418	418	418	344	402	451	468	468	468	468	491	518	518	518	518	518	518
24	480	577	651	709	789	825	825	535	645	727	792	792	825	825	712	804	825	825	825	825	825
	242	284	318	345	382	396	396	302	353	396	430	448	448	448	431	483	495	495	495	495	495
25	441	532	600	652	727	825	825	493	594	669	729	811	825	825	657	739	805	825	825	825	825
	214	250	281	305	337	377	377	266	312	350	380	421	426	426	381	427	464	474	474	474	474
26	408	492	553	603	672	807	825	456	549	618	673	750	825	825	606	682	744	825	825	825	825
	190	222	249	271	299	354	361	236	277	310	337	373	405	405	338	379	411	454	454	454	454
27	378	454	513	558	622	747	825	421	508	573	624	694	825	825	561	633	688	768	825	825	825
	169	198	222	241	267	315	347	211	247	277	301	333	389	389	301	337	367	406	432	432	432
28	351	423	477	519	577	694	822	391	472	532	579	645	775	825	522	588	640	712	825	825	825
	151	177	199	216	239	282	331	189	221	248	269	298	353	375	270	302	328	364	413	413	413
29	327	394	444	483	538	646	766	364	439	495	540	601	723	825	486	547	597	664	798	825	825
	136	159	179	194	215	254	298	170	199	223	242	268	317	359	242	272	295	327	387	399	399
30	304	367	414	451	502	603	715	340	411	462	504	561	675	799	453	511	556	619	745	825	825
	123	144	161	175	194	229	269	153	179	201	218	242	286	336	219	245	266	295	349	385	385
31	285	343	387	421	469	564	669	318	384	433	471	525	631	748	424	478	520	580	697	825	825
	111	130	146	158	175	207	243	138	162	182	198	219	259	304	198	222	241	267	316	369	369
32	267	322	363	396	441	529	627	298	360	406	442	492	592	702	397	448	489	544	654	775	823
	101	118	132	144	159	188	221	126	147	165	179	199	235	276	180	201	219	242	287	337	355
33	252	303	342	372	414	498	589	280	339	381	415	463	556	660	373	421	459	511	615	729	798
	92	108	121	131	145	171	201	114	134	150	163	181	214	251	164	183	199	221	261	307	334
34	237	285	321	349	390	468	555	264	318	358	391	435	523	621	352	397	432	481	579	687	774
	84	98	110	120	132	156	184	105	122	137	149	165	195	229	149	167	182	202	239	280	314
35	223	268	303	330	367	441	523	249	300	339	369	411	493	585	331	373	408	454	546	648	741
	77	90	101	110	121	143	168	96	112	126	137	151	179	210	137	153	167	185	219	257	292
36	211	253	286	312	348	417	495	235	283	319	348	388	466	553	313	354	385	429	516	612	700
	70	82	92	101	111	132	154	88	103	115	125	139	164	193	126	141	153	169	201	236	269
37								222	268	303	330	367	441	523	297	334	364	406	487	579	663
								81	95	106	115	128	151	178	116	130	141	156	185	217	247
38								211	255	286	312	348	418	496	280	316	345	384	462	549	628
								74	87	98	106	118	139	164	107	119	130	144	170	200	228
39								199	241	271	297	330	397	471	267	300	327	364	438	520	595
								69	81	90	98	109	129	151	98	110	120	133	157	185	211
40								190	229	258	282	313	376	447	253	285	310	346	417	495	565
								64	75	84	91	101	119	140	91	102	111	123	146	171	195
41															241	271	295	330	396	471	538
															85	95	103	114	135	159	181
42															229	259	282	313	378	448	513
															79	88	96	106	126	148	168
43															219	247	268	300	360	427	489
															73	82	89	99	117	138	157
44															208	235	256	286	343	408	466
															68	76	83	92	109	128	146



Introduction
 General Joist Information
 Economical Design Guide
 Top Chord Ext., K-Series
 Joist Substitutes & Outriggers
 KCS Joists
 Joist LRFD Load Tables
 Joist ASD Load Tables
 Load/Weight Tables
 Joist Girder Weight Tables
 SJI Standard Specifications
 SJI Code of Stand. Practice
 Fire Resistance Ratings
 OSHA Safety Standards

Joist LRFD Load Tables – K-Series

LRFD															
STANDARD LOAD TABLE FOR OPEN WEB STEEL JOISTS, K-SERIES															
BASED ON 50 KSI YIELD															
JOIST DESIGNATION	24K4	24K5	24K6	24K7	24K8	24K9	24K10	24K12	26K5	26K6	26K7	26K8	26K9	26K10	26K12
DEPTH (in)	24	24	24	24	24	24	24	24	26	26	26	26	26	26	26
APPROX. WT. (lbs/ft)	7.8	7.9	8.5	9.0	9.4	10.3	11.7	13.5	8.1	8.6	9.0	9.7	10.4	11.8	13.7
SPAN (ft)	LOADS SHOWN IN POUNDS PER LINEAR FOOT (plf)														
23	825	825	825	825	825	825	825	825							
	550	550	550	550	550	550	550	550							
24	780	825	825	825	825	825	825	825							
	516	544	544	544	544	544	544	544							
25	718	810	825	825	825	825	825	825	825	825	825	825	825	825	825
	456	511	520	520	520	520	520	520	550	550	550	550	550	550	550
26	663	748	814	825	825	825	825	825	813	825	825	825	825	825	825
	405	453	493	499	499	499	499	499	535	541	541	541	541	541	541
27	615	693	754	825	825	825	825	825	753	820	825	825	825	825	825
	361	404	439	479	479	479	479	479	477	519	522	522	522	522	522
28	571	643	700	781	825	825	825	825	699	762	825	825	825	825	825
	323	362	393	436	456	456	456	456	427	464	501	501	501	501	501
29	531	600	652	727	804	825	825	825	651	709	790	825	825	825	825
	290	325	354	392	429	436	436	436	384	417	463	479	479	479	479
30	496	559	609	679	750	816	825	825	607	661	738	816	825	825	825
	262	293	319	353	387	419	422	422	346	377	417	457	459	459	459
31	465	523	570	636	702	765	825	825	568	619	690	763	825	825	825
	237	266	289	320	350	379	410	410	314	341	378	413	444	444	444
32	435	490	535	595	658	717	823	823	534	580	648	715	778	823	823
	215	241	262	290	318	344	393	393	285	309	343	375	407	431	431
33	409	462	502	559	619	673	798	798	501	546	609	672	732	798	798
	196	220	239	265	289	313	368	368	259	282	312	342	370	404	404
34	385	435	472	526	582	634	753	774	472	514	573	633	688	774	774
	179	201	218	242	264	286	337	344	237	257	285	312	338	378	378
35	363	409	445	496	549	598	709	751	445	484	540	597	649	751	751
	164	184	200	221	242	262	308	324	217	236	261	286	310	356	356
36	343	387	421	469	519	565	670	730	420	457	510	564	613	729	730
	150	169	183	203	222	241	283	306	199	216	240	263	284	334	334
37	324	366	399	444	490	534	634	711	397	433	483	534	580	690	711
	138	155	169	187	205	222	260	290	183	199	221	242	262	308	315
38	307	346	378	421	465	507	601	691	376	411	457	505	550	654	691
	128	143	156	172	189	204	240	275	169	184	204	223	241	284	299
39	292	328	358	399	441	480	570	673	357	390	433	480	522	619	673
	118	132	144	159	174	189	222	261	156	170	188	206	223	262	283
40	277	312	340	379	420	456	541	657	340	370	412	456	496	589	657
	109	122	133	148	161	175	206	247	145	157	174	191	207	243	269
41	264	297	324	361	399	435	516	640	322	352	393	433	472	561	640
	101	114	124	137	150	162	191	235	134	146	162	177	192	225	256
42	252	283	309	343	379	414	490	625	307	336	373	412	450	534	625
	94	106	115	127	139	151	177	224	125	136	150	164	178	210	244
43	240	270	294	328	363	394	468	609	294	319	357	394	429	508	610
	88	98	107	118	130	140	165	213	116	126	140	153	166	195	232
44	229	258	280	313	346	376	447	580	280	306	340	376	409	486	597
	82	92	100	110	121	131	154	199	108	118	131	143	155	182	222
45	219	246	268	298	330	360	427	555	268	291	325	360	391	465	583
	76	86	93	103	113	122	144	185	101	110	122	133	145	170	212
46	208	235	256	286	316	345	408	531	256	279	310	343	375	444	570
	71	80	87	97	106	114	135	174	95	103	114	125	135	159	203
47	199	225	246	274	303	330	391	508	246	267	298	328	358	426	553
	67	75	82	90	99	107	126	163	89	96	107	117	127	149	192
48	192	216	235	262	291	316	375	487	235	256	285	315	343	408	529
	63	70	77	85	93	101	118	153	83	90	100	110	119	140	180
49									225	246	274	303	330	391	508
									78	85	94	103	112	131	169
50									216	235	262	291	316	375	487
									73	80	89	97	105	124	159
51									208	226	252	279	304	361	469
									69	75	83	91	99	116	150
52									199	217	243	268	292	346	451
									65	71	79	86	93	110	142



Discover the easiest way to specify steel joists and Joist Girders:

www.newmill.com/digital-tools

Introduction
 General Joist Information
 Economic Design Guide
 Top Chord Ex'r, K-Series
 Joist Substitutes & Outriggers
 KCS Joists
 Joist LRFD Load Tables
 Joist ASD Load Tables
 Load/Load Weight Tables
 Joist Girder Weight Tables
 SJI Standard Specifications
 SJI Code of Standard Practice
 Fire Resistance Ratings
 OSHA Safety Standards

Joist LRFD Load Tables - K-Series

LRFD

STANDARD LOAD TABLE FOR OPEN WEB STEEL JOISTS, K-SERIES BASED ON 50 KSI YIELD

JOIST DESIGNATION	28K6	28K7	28K8	28K9	28K10	28K12	30K7	30K8	30K9	30K10	30K11	30K12
DEPTH (in)	28	28	28	28	28	28	30	30	30	30	30	30
APPROX. WT. (lbs/ft)	8.9	9.2	9.8	10.5	11.8	14.5	9.6	10.0	10.6	11.9	13.3	15.0
SPAN (ft)	LOADS SHOWN IN POUNDS PER LINEAR FOOT (plf)											
27	825	825	825	825	825	825						
	550	550	550	550	550	550						
28	822	825	825	825	825	825						
	541	543	543	543	543	543						
29	766	825	825	825	825	825	825	825	825	825	825	825
	486	522	522	522	522	522	550	550	550	550	550	550
30	715	796	825	825	825	825	825	825	825	825	825	825
	439	486	500	500	500	500	543	543	543	543	543	543
31	669	745	825	825	825	825	801	825	825	825	825	825
	397	440	480	480	480	480	508	520	520	520	520	520
32	627	699	772	823	823	823	751	823	823	823	823	823
	361	400	438	463	463	463	461	500	500	500	500	500
33	589	657	726	790	798	798	706	780	798	798	798	798
	329	364	399	432	435	435	420	460	468	468	468	468
34	555	618	684	744	774	774	664	735	774	774	774	774
	300	333	364	395	410	410	384	420	441	441	441	441
35	523	583	645	702	751	751	627	693	751	751	751	751
	275	305	333	361	389	389	351	384	415	415	415	415
36	495	550	609	663	730	730	592	654	712	730	730	730
	252	280	306	332	366	366	323	353	383	392	392	392
37	468	522	576	627	711	711	559	619	673	711	711	711
	232	257	282	305	344	344	297	325	352	374	374	374
38	444	493	546	594	691	691	531	586	639	691	691	691
	214	237	260	282	325	325	274	300	325	353	353	353
39	420	469	519	564	670	673	504	556	606	673	673	673
	198	219	240	260	306	308	253	277	300	333	333	333
40	399	445	492	535	636	657	478	529	576	657	657	657
	183	203	222	241	284	291	234	256	278	315	315	315
41	379	424	468	510	606	640	454	502	547	640	640	640
	170	189	206	224	263	277	217	238	258	300	300	300
42	361	403	445	486	576	625	433	480	522	619	625	625
	158	175	192	208	245	264	202	221	240	282	284	284
43	345	385	426	463	550	610	414	457	498	591	610	610
	147	163	179	194	228	252	188	206	223	263	270	270
44	330	367	406	442	525	597	394	436	475	564	597	597
	137	152	167	181	212	240	176	192	208	245	258	258
45	315	351	388	423	501	583	376	417	454	538	583	583
	128	142	156	169	198	229	164	179	195	229	246	246
46	301	336	372	405	480	570	361	399	435	516	570	570
	120	133	146	158	186	219	153	168	182	214	236	236
47	288	321	355	387	459	558	345	382	415	493	558	558
	112	125	136	148	174	210	144	157	171	201	226	226
48	276	309	340	370	441	547	331	366	399	472	543	547
	105	117	128	139	163	201	135	148	160	188	215	216
49	265	295	327	355	423	535	318	351	382	454	520	535
	99	110	120	130	153	193	127	139	150	177	202	207
50	255	283	313	342	405	525	304	337	367	436	499	525
	93	103	113	123	144	185	119	130	141	166	190	199
51	244	273	301	328	390	507	292	324	352	418	480	514
	88	97	106	115	136	175	112	123	133	157	179	192
52	235	262	289	315	375	487	282	312	339	402	462	504
	83	92	100	109	128	165	106	116	126	148	169	184
53	226	252	279	304	360	469	271	300	327	387	444	495
	78	87	95	103	121	156	100	109	119	140	159	177
54	217	243	268	292	348	451	261	288	313	373	427	486
	74	82	89	97	114	147	94	103	112	132	150	170
55	210	234	259	282	334	435	252	277	303	360	412	468
	70	77	85	92	108	139	89	98	106	125	142	161
56	202	226	249	271	322	420	243	268	292	346	397	451
	66	73	80	87	102	132	84	92	100	118	135	153
57							234	259	282	334	384	435
							80	88	95	112	128	145
58							226	250	271	322	370	420
							76	83	90	106	121	137
59							219	241	262	312	358	406
							72	79	86	101	115	130
60							211	234	253	301	346	393
							69	75	81	96	109	124



Introduction
 General Joist Information
 Economical Design Guide
 Top Chord Ext., K-Series
 Joist Substitutes & Outriggers
 KCS Joists
 Joist LRFD Load Tables
 Joist ASD Load Tables
 Load/Weight Tables
 Joist Girder Weight Tables
 SJI Standard Specifications
 SJI Code of Stand. Practice
 Fire Resistance Ratings
 OSHA Safety Standards

Joist LRFD Load Tables – LH-Series

American National Standard SJI-LH/DLH-2010

STANDARD LRFD LOAD TABLE LONGSPAN STEEL JOISTS, LH-SERIES

Based on a 50 ksi Maximum Yield Strength
Adopted by the Steel Joist Institute May 1, 2000
Revised to May 18, 2010 – Effective December 31, 2010

The **BLACK** figures in the Load Table give the TOTAL safe factored uniformly distributed load-carrying capacities, in pounds per linear foot, of **LRFD LH-Series Steel Joists**.

The approximate joist weights, in pounds per linear foot, given in the Load Table may be added to the other building weights to determine the unfactored DEAD load. In all cases the factored DEAD load, including the joist self-weight, must be deducted from the TOTAL load to determine the factored LIVE load. The approximate joist weights do not include accessories.

The **RED** figures in the Load Table represent the unfactored, uniform load, in pounds per linear foot, which will produce an approximate joist deflection of 1/360 of the span. This load can be linearly prorated to obtain the unfactored, uniform load for supplementary deflection criteria (i.e. an unfactored uniform load which will produce a joist deflection of 1/240 of the span may be obtained by multiplying the **RED** figures by 360/240). In no case shall the prorated, unfactored load exceed the unfactored TOTAL load-carrying capacity of the joist as given in the Standard **ASD** Load Table for Longspan Steel Joists, **LH-Series**.

The Load Table applies to joists with either parallel chords or pitched top chords. Joists can have a top chord pitch up to 1/2 inch per foot. If the pitch exceeds this limit, the Load Table does not apply. When top chords are pitched, the load-carrying capacities are determined by the nominal depth of the joists at the center of the span. Sloped parallel-chord joists shall use span as defined by the length along the slope.

Where the joist span is in the **RED SHADED** area of the Load Table, the row of bridging nearest the mid span shall be diagonal bridging with bolted connections at chords and intersections. Hoisting cables shall not be released until this row of bolted diagonal bridging is completely installed. The **RED SHADED** area extends up through 60'-0".

Where the joist span is in the **BLUE SHADED** area of the Load Table, all rows of bridging shall be diagonal bridging with bolted connections at chords and intersections. Hoisting cables shall not be released until the two rows of bridging nearest the third points are completely installed. The **BLUE SHADED** area starts after 60'-0" and extends up through 100'-0".

The approximate gross moment of inertia (not adjusted for shear deformation), in inches⁴, of a standard joist listed in the Load Table may be determined as follows:

$$I_j = 26.767(W)(L^3)(10^{-6}), \text{ where } W = \text{RED figure in the Load Table, and}$$
$$L = (\text{span} - 0.33) \text{ in feet.}$$

Loads for span increments not explicitly given in the Load Table may be determined using linear interpolation between the load values given in adjacent span columns.

*The safe factored uniform load for the spans shown in the SAFE LOAD Column is equal to (SAFE LOAD) / (span). The TOTAL safe factored uniformly distributed load-carrying capacity, for spans less than those shown in the SAFE LOAD Column are given in the MAX LOAD Column.

To solve for an unfactored RED figure for spans shown in the SAFE LOAD Column (or lesser spans), multiply the unfactored RED figure of the shortest span shown in the Load Table by (the shortest span shown in the Load Table – 0.33 feet)² and divide by (the actual span – 0.33 feet)². In no case shall the calculated unfactored load exceed the unfactored TOTAL load-carrying capacity of the joist as determined from the Standard **ASD** Load Table for Longspan Steel Joists, **LH-Series**.



Discover the easiest way to specify steel joists and Joist Girders:

www.newmill.com/digital-tools

Joist LRFD Load Tables - LH-Series

LRFD

STANDARD LOAD TABLE FOR OPEN WEB STEEL JOISTS, LH-SERIES BASED ON 50 KSI YIELD

JOIST DESIGNATION	APPROX. WT. (lbs/ft)	DEPTH (in)	MAX. LOAD (plf)	SAFE LOAD* (pounds)	LOADS SHOWN IN POUNDS PER LINEAR FOOT (plf)																
					SPAN IN FEET				< 22	22-25	26	27	28	29	30	31	32	33	34	35	36
18LH02	10	18	829	18,240	702	663	627	586	550	517	486	459	433	409	388						
					313	284	259	234	212	193	175	160	147	135	124						
18LH03	11	18	919	20,220	781	739	700	657	613	573	538	505	475	448	424						
					348	317	289	262	236	213	194	177	161	148	136						
18LH04	12	18	1,070	23,550	906	856	802	750	703	660	619	582	547	516	487						
					403	367	329	296	266	242	219	200	182	167	153						
18LH05	15	18	1,210	26,610	1,026	972	921	871	814	762	714	672	631	595	562						
					454	414	378	345	311	282	256	233	212	195	179						
18LH06	15	18	1,430	31,470	1,213	1,123	1,044	972	907	849	796	748	705	664	627						
					526	469	419	377	340	307	280	254	232	212	195						
18LH07	17	18	1,485	32,670	1,260	1,213	1,170	1,089	1,017	952	892	838	789	744	703						
					553	513	476	428	386	349	317	288	264	241	222						
18LH08	19	18	1,548	34,050	1,314	1,264	1,218	1,176	1,137	1,075	1,020	961	906	856	810						
					577	534	496	462	427	387	351	320	292	267	246						
18LH09	21	18	1,658	36,480	1,404	1,351	1,302	1,257	1,215	1,174	1,138	1,069	1,006	949	897						
					616	571	527	491	458	418	380	346	316	289	266						
SPAN IN FEET					< 23	23-25	26	27	28	29	30	31	32	33	34	35	36	37	38	39	40
20LH02	10	20	747	17,190	663	655	646	615	582	547	516	487	460	436	412	393	373	355	337		
					306	303	298	274	250	228	208	190	174	160	147	136	126	117	108		
20LH03	11	20	793	18,240	703	694	687	678	651	621	592	558	528	499	474	448	424	403	382		
					337	333	317	302	280	258	238	218	200	184	169	156	143	133	123		
20LH04	12	20	972	22,350	861	849	837	792	744	700	660	624	589	558	529	502	477	454	433		
					428	406	386	352	320	291	265	243	223	205	189	174	161	149	139		
20LH05	14	20	1,045	24,030	924	913	903	892	856	816	769	726	687	651	616	585	556	529	504		
					459	437	416	395	366	337	308	281	258	238	219	202	187	173	161		
20LH06	15	20	1,394	32,070	1,233	1,186	1,144	1,084	1,018	952	894	840	790	745	703	666	631	598	568		
					606	561	521	477	427	386	351	320	292	267	246	226	209	192	178		
20LH07	17	20	1,487	34,200	1,317	1,267	1,221	1,179	1,140	1,066	1,000	940	885	834	789	745	706	670	637		
					647	599	556	518	484	438	398	362	331	303	278	256	236	218	202		
20LH08	19	20	1,534	35,280	1,362	1,309	1,263	1,219	1,177	1,140	1,083	1,030	981	931	882	837	795	754	718		
					669	619	575	536	500	468	428	395	365	336	309	285	262	242	225		
20LH09	21	20	1,679	38,610	1,485	1,429	1,377	1,329	1,284	1,242	1,203	1,167	1,132	1,068	1,009	954	904	858	816		
					729	675	626	581	542	507	475	437	399	366	336	309	285	264	244		
20LH10	23	20	1,810	41,640	1,602	1,542	1,486	1,434	1,386	1,341	1,297	1,258	1,221	1,186	1,122	1,060	1,005	954	906		
					786	724	673	626	585	545	510	479	448	411	377	346	320	296	274		
SPAN IN FEET					< 29	29-33	34	35	36	37	38	39	40	41	42	43	44	45	46	47	48
24LH03	11	24	601	17,430	513	508	504	484	460	439	418	400	382	366	351	336	322	310	298		
					235	226	218	204	188	175	162	152	141	132	124	116	109	102	96		
24LH04	12	24	737	21,360	628	597	568	540	514	490	468	447	427	409	393	376	361	346	333		
					288	265	246	227	210	195	182	169	158	148	138	130	122	114	107		
24LH05	13	24	789	22,890	673	669	660	628	598	570	544	520	496	475	456	436	420	403	387		
					308	297	285	264	244	226	210	196	182	171	160	150	141	132	124		
24LH06	16	24	1,061	30,780	906	868	832	795	756	720	685	655	625	598	571	546	522	501	480		
					411	382	356	331	306	284	263	245	228	211	197	184	172	161	152		
24LH07	17	24	1,166	33,810	997	957	919	882	847	811	774	736	702	669	639	610	583	559	535		
					452	421	393	367	343	320	297	276	257	239	223	208	195	182	171		
24LH08	18	24	1,243	36,060	1,060	1,015	973	933	895	858	817	780	745	712	682	652	625	600	576		
					480	447	416	388	362	338	314	292	272	254	238	222	208	196	184		
24LH09	21	24	1,464	42,450	1,248	1,212	1,177	1,146	1,096	1,044	994	948	903	861	822	786	751	720	690		
					562	530	501	460	424	393	363	337	313	292	272	254	238	223	209		
24LH10	23	24	1,547	44,850	1,323	1,284	1,248	1,213	1,182	1,152	1,105	1,053	1,002	955	912	873	834	799	766		
					596	559	528	500	474	439	406	378	351	326	304	285	266	249	234		
24LH11	25	24	1,630	47,280	1,390	1,350	1,312	1,276	1,243	1,210	1,180	1,152	1,101	1,051	1,006	963	924	885	850		
					624	588	555	525	498	472	449	418	388	361	337	315	294	276	259		



Introduction
 General Joist Information
 Economical Design Guide
 Top Chord Ext., K-Series
 Joist Substitutes & Outriggers
 KCS Joists
 Joist LRFD Load Tables
 Joist ASD Load Tables
 Load/Weight Tables
 Joist Girder Weight Tables
 SJI Standard Specifications
 SJI Code of Practice
 SJI Resistance Ratings
 OSHA Safety Standards

Joist LRFD Load Tables – LH-Series

LRFD

STANDARD LOAD TABLE FOR OPEN WEB STEEL JOISTS, LH-SERIES BASED ON 50 KSI YIELD

JOIST DESIGNATION	APPROX. WT. (lbs/ft)	DEPTH (in)	MAX. LOAD (plf)	SAFE LOAD* (pounds)	LOADS SHOWN IN POUNDS PER LINEAR FOOT (plf)																				
					SPAN IN FEET		42	43	44	45	46	47	48	49	50	51	52	53	54	55	56				
					SPAN IN FEET		< 34	34-41		42	43	44	45	46	47	48	49	50	51	52	53	54	55	56	
28LH05	13	28	623	21,180						505	484	465	445	429	412	397	382	367	355	342	330	319	309	298	
										219	205	192	180	169	159	150	142	133	126	119	113	107	102	97	
28LH06	16	28	828	28,140						672	643	618	592	568	546	525	505	486	469	451	436	421	406	393	
										289	270	253	238	223	209	197	186	175	166	156	148	140	133	126	
28LH07	17	28	934	31,770						757	726	696	667	640	615	591	568	547	528	508	490	474	457	442	
										326	305	285	267	251	236	222	209	197	186	176	166	158	150	142	
28LH08	18	28	1,001	34,020						810	775	744	712	684	657	630	604	580	556	535	516	496	478	462	
										348	325	305	285	268	252	236	222	209	196	185	175	165	156	148	
28LH09	21	28	1,232	41,880						1,000	958	918	879	844	810	778	748	721	694	669	645	622	601	580	
										428	400	375	351	329	309	291	274	258	243	228	216	204	193	183	
28LH10	23	28	1,347	45,810						1,093	1,056	1,018	976	937	900	864	831	799	769	742	715	690	666	643	
										466	439	414	388	364	342	322	303	285	269	255	241	228	215	204	
28LH11	25	28	1,445	49,140						1,170	1,143	1,104	1,066	1,023	982	943	907	873	841	810	781	753	727	702	
										498	475	448	423	397	373	351	331	312	294	278	263	249	236	223	
28LH12	27	28	1,587	53,970						1,285	1,255	1,227	1,200	1,173	1,149	1,105	1,063	1,023	984	948	913	880	849	819	
										545	520	496	476	454	435	408	383	361	340	321	303	285	270	256	
28LH13	30	28	1,654	56,250						1,342	1,311	1,281	1,252	1,224	1,198	1,173	1,149	1,126	1,083	1,041	1,002	964	930	897	
										569	543	518	495	472	452	433	415	396	373	352	332	314	297	281	
					SPAN IN FEET		< 39	39-46	47-49		50	51	52	53	54	55	56	57	58	59	60	61	62	63	64
32LH06	14	32	647	25,230						507	489	472	456	441	426	412	399	385	373	363	351	340	330	321	
										211	199	189	179	169	161	153	145	138	131	125	119	114	108	104	
32LH07	16	32	728	28,380						568	549	529	511	493	477	462	447	432	418	406	393	381	370	360	
										235	223	211	200	189	179	170	162	154	146	140	133	127	121	116	
32LH08	17	32	790	30,810						616	595	574	553	535	517	499	483	468	453	439	426	412	400	388	
										255	242	229	216	205	194	184	175	167	159	151	144	137	131	125	
32LH09	21	32	992	38,670						774	747	720	694	670	648	627	606	586	568	550	534	517	502	487	
										319	302	285	270	256	243	230	219	208	198	189	180	172	164	157	
32LH10	21	32	1,096	42,750						856	825	796	768	742	717	693	667	645	624	603	583	564	546	529	
										352	332	315	297	282	267	254	240	228	217	206	196	186	178	169	
32LH11	24	32	1,201	46,830						937	903	870	840	811	783	757	732	709	687	664	643	624	604	585	
										385	363	343	325	308	292	277	263	251	239	227	216	206	196	187	
32LH12	27	32	1,409	54,960						1,101	1,068	1,032	996	961	928	897	867	838	811	786	762	738	715	694	
										430	428	406	384	364	345	327	311	295	281	267	255	243	232	221	
32LH13	30	32	1,572	61,320						1,225	1,201	1,177	1,156	1,113	1,072	1,035	999	964	931	900	871	843	816	790	
										500	480	461	444	420	397	376	354	336	319	304	288	275	262	249	
32LH14	33	32	1,618	63,120						1,264	1,239	1,215	1,192	1,170	1,149	1,107	1,069	1,032	997	964	933	903	874	846	
										515	495	476	458	440	417	395	374	355	337	321	304	290	276	264	
32LH15	35	32	1,673	65,250						1,305	1,279	1,255	1,231	1,207	1,186	1,164	1,144	1,125	1,087	1,051	1,017	984	952	924	
										532	511	492	473	454	438	422	407	393	374	355	338	322	306	292	
					SPAN IN FEET		< 43	43-46	47-56	57	58	59	60	61	62	63	64	65	66	67	68	69	70	71	72
36LH07	16	36	590	25,350						438	424	411	399	387	376	366	355	345	336	327	318	310	301	294	
										177	168	160	153	146	140	134	128	122	117	112	107	103	99	95	
36LH08	18	36	649	27,900						481	466	453	439	426	414	402	390	379	369	358	349	340	331	322	
										194	185	176	168	160	153	146	140	134	128	123	118	113	109	104	
36LH09	21	36	832	35,760						616	597	579	561	544	528	513	499	484	471	459	445	433	423	412	
										247	235	224	214	204	195	186	179	171	163	157	150	144	138	133	
36LH10	21	36	916	39,390						681	660	639	619	601	583	567	550	535	520	507	492	480	466	454	
										273	260	248	236	225	215	206	197	188	180	173	165	159	152	146	
36LH11	23	36	1,000	42,990						742	720	697	676	657	637	618	601	583	567	552	537	522	508	495	
										297	283	269	257	246	234	224	214	205	196	188	180	173	166	159	
36LH12	25	36	1,197	51,450						889	862	835	810	784	762	739	717	696	675	655	636	618	600	583	
										354	338	322	307	292	279	267	255	243	232	222	213	204	195	187	
36LH13	30	36	1,407	60,510						1,045	1,012	981	951	922	894	868	843	819	796	774	753	732	712	694	
										415	395	376	359	342	327	312	298	285	273	262	251	240	231	222	
36LH14	36	36	1,551	66,690						1,152	1,132	1,093	1,059	1,024	991	961	931	903	876	850	826	802	780	757	
										456	434	412	392	373	356	339	323	309	295	283	270	259	247	237	
36LH15	36	36	1,635	70,320						1,213	1,192	1,171	1,153	1,116	1,081	1,047	1,015	984	955	927	900	874	850	826	
										480	464	448	434	413	394	375	358	342	327	312	299	286	274	263	



Discover the easiest way to specify steel joists and Joist Girders:

www.newmill.com/digital-tools

Introduction
General Joist Information
Economic Design Guide
Top Chord Extr., K-Series
Joist Substitutes & Outriggers
KCS Joists
Joist LRFD Load Tables
Joist ASD Load Tables
Load/Weight Tables
Joist Girder Weight Tables
SJI Standard Specifications
SJI Code of Practice
Fire Resistance Ratings
OSHA Safety Standards

Joist LRFD Load Tables - LH-Series

LRFD

STANDARD LOAD TABLE FOR OPEN WEB STEEL JOISTS, LH-SERIES BASED ON 50 KSI YIELD

JOIST DESIGNATION	APPROX. WT. (lbs/ft)	DEPTH (in)	MAX. LOAD (plf)	SAFE LOAD* (pounds)	LOADS SHOWN IN POUNDS PER LINEAR FOOT (plf)																	
					SPAN IN FEET																	
SPAN IN FEET					< 48	48-59	60-65	66	67	68	69	70	71	72	73	74	75	76	77	78	79	80
40LH08	16	40	521	25,020	25,020	381	370	361	351	342	333	325	316	309	301	294	288	280	274	267		
						150	144	138	132	127	122	117	112	108	104	100	97	93	90	86		
40LH09	21	40	685	32,880	32,880	498	484	472	459	447	436	424	414	403	394	384	375	366	358	349		
						196	188	180	173	166	160	153	147	141	136	131	126	122	118	113		
40LH10	21	40	754	36,180	36,180	550	535	520	507	493	481	469	457	445	435	424	414	403	393	382		
						216	207	198	190	183	176	169	162	156	150	144	139	134	129	124		
40LH11	22	40	823	39,510	39,510	598	582	567	552	537	523	510	498	484	472	462	450	439	429	418		
						234	224	215	207	198	190	183	176	169	163	157	151	145	140	135		
40LH12	25	40	1,002	48,090	48,090	729	708	688	670	652	636	619	603	588	573	559	546	532	519	507		
						285	273	261	251	241	231	222	213	205	197	189	182	176	169	163		
40LH13	30	40	1,181	56,700	56,700	859	835	813	792	771	750	730	712	694	676	660	643	628	613	598		
						334	320	307	295	283	271	260	250	241	231	223	214	207	199	192		
40LH14	35	40	1,351	64,830	64,830	984	957	930	904	880	856	834	813	792	772	753	735	717	699	682		
						383	367	351	336	323	309	297	285	273	263	252	243	233	225	216		
40LH15	36	40	1,511	72,510	72,510	1,101	1,068	1,036	1,006	978	949	924	898	874	850	828	807	786	766	747		
						427	408	390	373	357	342	328	315	302	290	279	268	258	248	239		
40LH16	42	40	1,665	79,920	79,920	1,212	1,194	1,176	1,158	1,141	1,126	1,095	1,065	1,036	1,009	982	957	933	909	886		
						469	455	441	428	416	404	387	371	356	342	329	316	304	292	282		
SPAN IN FEET					< 53	53-59	60-73	74	75	76	77	78	79	80	81	82	83	84	85	86	87	88
44LH09	19	44	569	30,150	30,150	408	397	388	379	370	363	354	346	339	331	324	316	310	303	297		
						158	152	146	141	136	131	127	122	118	114	110	106	103	99	96		
44LH10	21	44	628	33,300	33,300	450	439	429	418	408	399	390	381	373	364	357	349	342	334	327		
						174	168	162	155	150	144	139	134	130	125	121	117	113	110	106		
44LH11	22	44	679	36,000	36,000	487	475	465	453	442	433	423	414	403	396	387	378	370	363	354		
						188	181	175	168	162	157	151	146	140	136	131	127	123	119	115		
44LH12	25	44	842	44,610	44,610	603	589	574	561	547	534	520	508	496	484	472	462	450	439	430		
						232	224	215	207	200	192	185	179	172	166	160	155	149	144	139		
44LH13	30	44	998	52,890	52,890	715	699	681	666	649	634	619	606	592	579	565	553	541	529	519		
						275	265	254	246	236	228	220	212	205	198	191	185	179	173	167		
44LH14	31	44	1,148	60,870	60,870	823	801	780	759	739	721	703	685	669	654	637	622	609	594	580		
						315	302	291	279	268	259	249	240	231	223	215	207	200	193	187		
44LH15	36	44	1,336	70,830	70,830	958	934	912	889	868	847	826	805	786	768	750	732	714	699	682		
						366	352	339	326	314	303	292	281	271	261	252	243	234	227	219		
44LH16	42	44	1,541	81,660	81,660	1,105	1,078	1,051	1,026	1,002	978	955	933	912	891	870	852	832	814	796		
						421	405	390	375	362	348	336	324	313	302	291	282	272	263	255		
44LH17	47	44	1,655	87,690	87,690	1,185	1,170	1,153	1,138	1,125	1,098	1,072	1,048	1,024	1,000	978	957	936	915	895		
						450	438	426	415	405	390	376	363	351	338	327	316	305	295	285		
SPAN IN FEET					< 57	57-59	60-81	82	83	84	85	86	87	88	89	90	91	92	93	94	95	96
48LH10	21	48	528	30,120	30,120	369	361	354	346	339	331	325	318	312	306	300	294	288	282	277		
						141	136	132	127	123	119	116	112	108	105	102	99	96	93	90		
48LH11	22	48	573	32,670	32,670	399	390	382	373	366	358	351	343	337	330	324	318	312	306	300		
						152	147	142	137	133	129	125	120	117	113	110	106	103	100	97		
48LH12	25	48	724	41,250	41,250	504	493	483	472	462	451	442	433	424	415	408	399	391	384	376		
						191	185	179	173	167	161	156	151	147	142	138	133	129	126	122		
48LH13	29	48	867	49,410	49,410	603	589	576	564	552	540	529	517	507	498	487	477	468	459	450		
						228	221	213	206	199	193	187	180	175	170	164	159	154	150	145		
48LH14	32	48	1,023	58,290	58,290	712	696	681	666	651	637	624	610	598	585	574	562	550	540	529		
						269	260	251	243	234	227	220	212	206	199	193	187	181	176	171		
48LH15	36	48	1,176	67,020	67,020	817	799	781	765	748	732	717	702	687	672	658	645	633	619	607		
						308	298	287	278	269	260	252	244	236	228	221	214	208	201	195		
48LH16	42	48	1,355	77,250	77,250	943	922	901	882	864	844	826	810	792	777	760	745	730	715	702		
						355	343	331	320	310	299	289	280	271	263	255	247	239	232	225		
48LH17	47	48	1,522	86,760	86,760	1,059	1,035	1,012	990	969	948	928	909	889	871	853	837	820	804	787		
						397	383	371	358	346	335	324	314	304	294	285	276	268	260	252		

Discover the easiest way to specify steel joists and Joist Girders:

www.newmill.com/digital-tools



Introduction
 General Joist Information
 Economical Design Guide
 Top Chord Ext., K-Series
 Joist Substitutes & Outriggers
 KCS Joists
 Joist LRFD Load Tables
 Joist ASD Load Tables
 Load/Weight Tables
 Joist Girder Weight Tables
 SJI Standard Specifications
 SJI Code of Practice
 Fire Resistance Ratings
 OSHA Safety Standards

Joist LRFD Load Tables – DLH-Series

American National Standard SJI-LH/DLH-2010

STANDARD LRFD LOAD TABLE DEEP LONGSPAN STEEL JOISTS, DLH-SERIES

Based on a 50 ksi Maximum Yield Strength
Spans up to and including 144 ft. adopted by the Steel Joist Institute May 1, 2000
Spans greater than 144 ft. up to and including 240 ft. adopted by the Steel Joist Institute May 18, 2010
Revised to May 18, 2010 – Effective December, 31, 2010

The **BLACK** figures in the Load Table give the TOTAL safe factored uniformly distributed load-carrying capacities, in pounds per linear foot, of **LRFD DLH-Series** Steel Joists.

The approximate joist weights, in pounds per linear foot, given in the Load Table may be added to the other building weights to determine the unfactored DEAD load. In all cases the factored DEAD load, including the joist self-weight, must be deducted from the TOTAL load to determine the factored LIVE load. The approximate joist weights do not include accessories.

The **RED** figures in the Load Table represent the unfactored, uniform load, in pounds per linear foot, which will produce an approximate joist deflection of 1/360 of the span. This load can be linearly prorated to obtain the unfactored, uniform load for supplementary deflection criteria (i.e. the unfactored uniform load which will produce a joist deflection of 1/240 of the span may be obtained by multiplying the **RED** figures by 360/240). In no case shall the prorated, unfactored load exceed the unfactored TOTAL load-carrying capacity of the joist as given in the Standard **ASD** Load Table for Deep Longspan Steel Joists, **DLH-Series**.

The Load Table applies to joists with either parallel chords or pitched top chords. Joists can have a top chord pitch up to 1/2 inch per foot. If the pitch exceeds this limit, the Load Table does not apply. When top chords are pitched, the load-carrying capacities are determined by the nominal depth of the joists at the center of the span. Sloped parallel-chord joists shall use span as defined by the length along the slope.

Where the joist span is in the **BLUE SHADED** area of the Load Table, all rows of bridging shall be diagonal bridging with bolted connections at chords and intersections. Hoisting cables shall not be released until the two rows of bridging nearest the third points are completely installed. The **BLUE SHADED** area starts after 60'-0" and extends up through 100'-0".

Where the joist span is in the **GRAY SHADED** area of the Load Table, all rows of bridging shall be diagonal bridging with bolted connections at chords and intersections. Hoisting cables shall not be released until all rows of bridging are completely installed. The **GRAY SHADED** area starts after 100'-0" and extends up through 240'-0".

The approximate gross moment of inertia (not adjusted for shear deformation), in inches⁴, of a standard joist listed in the Load Table may be determined as follows:

$$I_x = 26.767(W)(L^3)(10^{-6}), \text{ where } W = \text{RED figure in the Load Table, and} \\ L = (\text{span} - 0.33) \text{ in feet.}$$

Loads for span increments not explicitly given in the Load Table may be determined using linear interpolation between the load values given in adjacent span columns.

*The safe factored uniform load for the spans shown in the SAFE LOAD Column is equal to (SAFE LOAD) / (span). The TOTAL safe factored uniformly distributed load-carrying capacity, for spans less than those shown in the SAFE LOAD Column are given in the MAX LOAD Column.

To solve for an unfactored **RED** figure for spans shown in the SAFE LOAD Column (or lesser spans), multiply the unfactored **RED** figure of the shortest span shown in the Load Table by (the shortest span shown in the Load Table - 0.33 feet)² and divide by (the actual span - 0.33 feet)². In no case shall the calculated unfactored load exceed the unfactored TOTAL load-carrying capacity of the joist as determined from the Standard **ASD** Load Table for Deep Longspan Steel Joists, **DLH-Series**.



Discover the easiest way to specify steel joists and Joist Girders:

www.newmill.com/digital-tools

Joist LRFD Load Tables - DLH-Series

LRFD

STANDARD LOAD TABLE FOR OPEN WEB STEEL JOISTS, DLH-SERIES BASED ON 50 KSI YIELD

JOIST DESIGNATION	APPROX. WT. (lbs/ft)	DEPTH (in)	MAX. LOAD (plf)	SAFE LOAD* (pounds)	LOADS SHOWN IN POUNDS PER LINEAR FOOT (plf)																
					SPAN IN FEET < 62		90	91	92	93	94	95	96	97	98	99	100	101	102	103	104
SPAN IN FEET < 62					62-89	90	91	92	93	94	95	96	97	98	99	100	101	102	103	104	
52DLH10	25	52	648	40,200	447 171	436 165	427 159	418 154	409 150	400 145	391 140	384 136	376 132	369 128	361 124	354 120	346 116	340 114	334 110		
52DLH11	26	52	712	44,130	490 187	480 181	469 174	459 169	448 164	439 158	430 153	421 149	412 144	405 140	396 135	388 132	381 128	373 124	366 120		
52DLH12	29	52	794	49,230	547 204	535 197	523 191	513 185	501 179	490 173	480 168	471 163	460 158	451 153	442 149	433 144	426 140	417 135	409 132		
52DLH13	34	52	964	59,760	664 247	649 239	636 231	621 224	609 219	595 209	583 203	571 197	559 191	549 185	537 180	526 174	516 170	507 165	496 159		
52DLH14	39	52	1,103	68,370	760 276	745 266	729 258	714 249	699 242	685 234	670 227	657 220	645 213	631 207	619 201	607 194	595 189	585 184	573 178		
52DLH15	42	52	1,239	76,800	853 311	835 301	817 291	799 282	783 272	766 264	750 256	735 247	720 240	705 233	691 226	676 219	664 213	651 207	639 201		
52DLH16	45	52	1,335	82,800	921 346	901 335	882 324	862 314	844 304	826 294	810 285	792 276	777 267	760 260	745 252	730 245	717 237	702 230	688 224		
52DLH17	52	52	1,537	95,310	1,059 395	1,036 381	1,014 369	991 357	974 346	951 335	930 324	912 315	892 304	874 296	858 286	840 279	823 270	808 263	792 255		
SPAN IN FEET < 67					67-97	98	99	100	101	102	103	104	105	106	107	108	109	110	111	112	
56DLH11	26	56	631	42,300	432 169	424 163	415 158	408 153	400 149	393 145	385 140	379 136	372 133	366 129	358 125	352 122	346 118	340 115	334 111		
56DLH12	30	56	725	48,600	496 184	486 178	477 173	468 168	459 163	450 158	442 153	433 150	426 145	417 141	409 137	402 133	394 130	388 126	381 123		
56DLH13	34	56	879	58,860	601 223	591 216	579 209	568 204	558 197	547 191	537 186	526 181	516 175	507 171	496 166	487 161	478 157	471 152	462 149		
56DLH14	39	56	993	66,540	679 249	666 242	652 234	640 228	628 221	616 214	604 209	594 202	582 196	571 190	562 186	552 181	541 175	532 171	523 167		
56DLH15	42	56	1,135	76,020	777 281	762 272	747 264	732 256	717 248	703 242	690 234	676 228	664 221	651 215	639 209	628 204	616 198	604 192	594 188		
56DLH16	46	56	1,224	82,020	838 313	822 304	805 294	789 285	774 277	759 269	744 262	730 254	717 247	703 240	690 233	678 227	666 221	654 214	642 209		
56DLH17	51	56	1,411	94,530	964 356	945 345	927 335	907 325	891 316	873 306	856 298	840 289	823 281	808 273	793 266	780 258	765 251	751 245	738 238		
SPAN IN FEET < 71					71-99	100-105	106	107	108	109	110	111	112	113	114	115	116	117	118	119	120
60DLH12	29	60	659	46,800	442 168	433 163	426 158	418 154	411 150	405 146	397 142	391 138	384 134	378 131	372 128	366 124	360 121	354 118	348 115		
60DLH13	35	60	801	56,880	537 203	526 197	517 191	508 187	499 181	490 176	483 171	474 167	466 163	459 158	451 154	444 151	436 147	429 143	423 139		
60DLH14	40	60	890	63,210	597 216	586 210	574 205	564 199	555 193	544 189	534 183	525 178	516 173	507 170	498 165	490 161	481 156	474 152	465 149		
60DLH15	43	60	1,045	74,190	700 255	687 248	675 242	663 235	651 228	640 223	628 216	618 210	607 205	597 200	588 194	577 190	568 185	559 180	550 175		
60DLH16	46	60	1,149	81,570	769 285	756 277	741 269	727 262	714 255	702 247	690 241	676 235	666 228	654 223	642 217	631 211	621 206	610 201	600 196		
60DLH17	52	60	1,320	93,750	885 324	868 315	853 306	837 298	822 290	807 283	793 275	778 267	765 261	751 254	739 247	726 241	714 235	702 228	690 223		
60DLH18	59	60	1,524	108,180	1,021 366	1,002 357	984 346	966 337	948 328	931 319	915 310	898 303	883 294	867 286	852 279	838 272	823 266	808 259	796 252		
SPAN IN FEET < 76					76-99	100-113	114	115	116	117	118	119	120	121	122	123	124	125	126	127	128
64DLH12	31	64	594	45,120	396 153	388 150	382 146	376 142	370 138	364 135	358 132	352 129	346 125	342 122	336 119	331 116	327 114	321 111	316 109		
64DLH13	34	64	720	54,750	481 186	472 181	465 176	457 171	450 168	442 163	436 159	429 155	421 152	415 148	409 144	403 141	396 137	385 134	385 131		
64DLH14	40	64	825	62,730	550 199	540 193	531 189	523 184	514 179	505 174	498 171	489 166	481 162	474 158	466 154	459 151	451 147	444 143	438 140		
64DLH15	43	64	946	71,910	631 234	621 228	610 223	600 217	591 211	580 206	571 201	562 196	553 191	544 187	537 182	528 177	520 173	511 170	504 165		
64DLH16	46	64	1,065	80,940	711 262	699 254	687 248	675 242	664 235	654 229	642 224	631 218	621 213	610 208	601 203	591 198	582 193	573 189	564 184		
64DLH17	52	64	1,227	93,270	819 298	804 290	790 283	777 275	763 268	751 262	738 255	726 248	714 243	702 237	691 231	681 226	669 220	658 215	648 210		
64DLH18	59	64	1,417	107,700	945 337	928 328	912 320	897 311	880 304	867 296	852 288	838 282	823 274	810 267	798 261	784 255	772 249	760 243	748 237		



Introduction
 General Joist Information
 Economical Design Guide
 Top Chord Ext., K-Series
 Joist Substitutes & Outriggers
 KCS Joists
 Joist LRFD Load Tables
 Joist ASD Load Tables
 Load/Weight Tables
 Joist Girder Weight Tables
 SJI Standard Specifications
 SJI Code of Stand. Practice
 Fire Resistance Ratings
 OSHA Safety Standards

Joist LRFD Load Tables – DLH-Series

LRFD

STANDARD LOAD TABLE FOR OPEN WEB STEEL JOISTS, DLH-SERIES BASED ON 50 KSI YIELD

JOIST DESIGNATION	APPROX. WT. (lbs/ft)	DEPTH (in)	MAX. LOAD (plf)	SAFE LOAD* (pounds)	LOADS SHOWN IN POUNDS PER LINEAR FOOT (plf)																		
					SPAN IN FEET	< 81	81-99	100-121	122	123	124	125	126	127	128	129	130	131	132	133	134	135	136
68DLH13	37	68	650	52,650	52,650	432	426	418	412	406	400	394	388	382	378	372	366	361	355	351			
						171	168	164	159	155	152	149	145	142	138	135	133	130	127	124			
68DLH14	40	68	749	60,630	60,630	498	490	483	475	468	462	454	448	441	435	429	421	415	409	403			
						184	179	175	171	167	163	159	155	152	148	145	141	138	135	133			
68DLH15	44	68	839	67,980	67,980	558	547	540	531	522	514	505	498	490	483	475	468	462	454	448			
						206	201	196	191	187	182	178	174	170	166	162	158	155	152	148			
68DLH16	49	68	995	80,610	80,610	661	649	640	630	619	610	600	591	582	573	564	556	547	540	531			
						242	236	230	225	219	214	209	204	199	195	190	186	182	178	174			
68DLH17	55	68	1,121	90,840	90,840	745	733	721	711	700	690	679	669	658	649	640	630	621	612	604			
						275	268	262	256	249	244	238	232	228	222	217	212	208	203	198			
68DLH18	61	68	1,298	105,150	105,150	862	849	835	823	810	798	786	774	762	751	739	729	718	708	697			
						311	304	297	289	283	276	269	263	257	251	246	240	234	230	225			
68DLH19	67	68	1,495	121,080	121,080	993	976	961	946	931	916	901	888	874	861	847	835	822	810	798			
						353	344	336	328	320	313	305	298	291	285	278	272	266	260	254			
SPAN IN FEET					< 85	85-99	100-129	130	131	132	133	134	135	136	137	138	139	140	141	142	143	144	
72DLH14	41	72	694	58,950	58,950	454	447	441	435	427	421	415	411	405	399	393	388	382	378	372			
						171	167	163	159	155	152	149	146	143	139	136	133	131	128	125			
72DLH14	44	72	794	67,530	67,530	520	513	504	496	489	483	475	468	462	454	448	442	436	429	423			
						191	187	183	178	174	171	167	163	160	156	152	150	147	143	140			
72DLH16	50	72	918	78,060	78,060	601	592	585	576	567	559	552	544	537	529	522	514	507	501	493			
						225	219	214	209	205	200	196	191	188	183	179	175	171	169	165			
72DLH17	56	72	1,033	87,810	87,810	676	667	657	648	639	630	621	612	603	595	586	579	571	564	556			
						256	250	245	239	233	228	224	218	213	209	205	200	196	191	188			
72DLH18	59	72	1,210	102,870	102,870	792	780	768	757	745	735	724	718	705	694	685	675	666	657	648			
						289	283	276	270	265	258	252	247	242	236	231	227	222	217	212			
72DLH19	70	72	1,419	120,600	120,600	928	913	900	886	873	859	847	835	823	811	799	789	777	766	756			
						328	321	313	306	300	293	286	280	274	268	263	257	251	247	241			
SPAN IN FEET					< 81	81-99	100-111	112	115	118	121	124	127	130	133	136	139	142	145	148	151	155	160
80DLH15	40	80	966	78,240	78,240	699	663	632	602	575	549	525	503	482	461	443	425	408	392	371	347		
						321	296	275	255	236	220	205	192	179	167	157	147	139	130	120	109		
80DLH16	46	80	1,161	94,020	94,020	840	802	763	727	691	658	628	600	574	549	525	504	483	463	439	411		
						375	347	321	297	276	257	240	224	209	196	184	172	162	152	141	128		
80DLH17	53	80	1,341	108,630	108,630	971	926	881	839	800	765	731	699	669	641	615	590	567	545	517	485		
						451	416	386	358	332	309	288	269	252	235	221	207	195	183	169	154		
80DLH18	60	80	1,518	122,760	122,760	1,097	1,044	993	947	903	863	825	789	756	723	695	666	641	615	584	548		
						516	477	441	409	380	354	330	308	288	270	253	237	223	210	194	176		
80DLH19	67	80	1,768	143,220	143,220	1,280	1,218	1,160	1,104	1,052	1,005	960	918	878	840	806	774	743	714	677	635		
						578	533	493	458	425	396	369	344	322	301	283	266	250	235	217	197		
80DLH20	75	80	1,987	160,980	160,980	1,446	1,382	1,323	1,268	1,211	1,157	1,104	1,056	1,011	968	927	891	855	821	780	731		
						646	596	552	512	475	443	412	385	360	337	316	297	279	263	243	220		
SPAN IN FEET					< 89	89-99	100-120	121	124	127	130	133	136	139	142	145	148	151	155	160	165	170	175
88DLH16	46	88	1,048	93,270	93,270	771	735	701	671	642	615	591	567	545	524	503	477	448	422	398	376		
						361	336	313	291	272	254	238	223	210	197	186	172	156	143	130	119		
88DLH17	51	88	1,185	105,450	105,450	871	830	789	753	719	687	659	630	605	579	557	528	495	465	437	412		
						404	375	349	325	304	284	266	249	234	220	207	191	173	159	146	133		
88DLH18	58	88	1,359	120,930	120,930	1,001	953	908	866	827	791	756	725	695	666	639	607	569	535	503	474		
						460	427	397	370	346	323	303	284	267	250	236	218	199	181	165	152		
88DLH19	65	88	1,572	139,890	139,890	1,157	1,101	1,049	999	954	912	873	836	801	770	738	701	657	617	580	547		
						521	484	450	420	392	367	343	322	302	284	267	248	225	205	187	172		
88DLH20	76	88	1,808	160,950	160,950	1,334	1,281	1,232	1,184	1,133	1,085	1,041	998	959	921	885	841	790	743	700	660		
						623	579	539	502	469	438	410	385	361	340	320	296	269	246	224	206		
88DLH21	89	88	2,231	198,540	198,540	1,649	1,568	1,494	1,425	1,361	1,301	1,244	1,191	1,143	1,097	1,053	999	936	880	827	779		
						724	673	626	584	545	509	477	447	420	395	372	344	313	285	261	239		



Discover the easiest way to specify steel joists and Joist Girders:

www.newmill.com/digital-tools

Introduction
General Joist Information
Economic Design Guide
Top Chord Ext., K-Series
Joist Substitutes & Outriggers
KCS Joists
Joist LRFD Load Tables
Joist ASD Load Tables
Joist Girder Weight Tables
SJI Standard Specifications
SJI Code of Practice
Fire Resistance Ratings
OSHA Safety Standards

Joist LRFD Load Tables - DLH-Series

LRFD

STANDARD LOAD TABLE FOR OPEN WEB STEEL JOISTS, DLH-SERIES BASED ON 50 KSI YIELD

JOIST DESIGNATION	APPROX. WT. (lbs/ft)	DEPTH (in)	MAX. LOAD (plf)	SAFE LOAD* (pounds)	LOADS SHOWN IN POUNDS PER LINEAR FOOT (plf)																		
					SPAN IN FEET < 97	97-99	100-129	130	133	136	139	142	145	148	151	155	160	165	170	175	180	185	190
96DLH17	52	96	1,085	105,270	105,270	810	776	744	711	684	657	632	608	578	542	509	480	452	427	404	382		
96DLH18	58	96	1,222	118,500	118,500	912	875	839	803	770	740	713	686	653	615	579	546	516	488	463	438		
96DLH19	66	96	1,460	141,660	141,660	1,091	1,046	1,001	957	917	878	842	809	768	720	676	636	601	566	536	507		
96DLH20	74	96	1,644	159,420	159,420	1,236	1,184	1,131	1,083	1,037	993	952	915	868	815	766	721	680	642	607	574		
96DLH21	90	96	2,062	200,010	200,010	1,541	1,473	1,410	1,350	1,296	1,243	1,196	1,149	1,093	1,026	965	908	856	809	765	724		
96DLH22	102	96	2,310	224,070	224,070	1,725	1,662	1,601	1,542	1,487	1,436	1,382	1,329	1,264	1,188	1,118	1,054	995	941	890	843		
SPAN IN FEET < 105					105-138	139	142	145	148	151	155	160	165	170	175	180	185	190	195	200	205		
104DLH18	59	104	1,100	115,470		831	798	768	734	708	674	635	601	568	537	508	482	458	435	414	394		
104DLH19	67	104	1,337	140,430		1,011	971	933	897	861	819	770	727	686	648	613	581	552	524	497	473		
104DLH20	75	104	1,504	157,890		1,146	1,107	1,071	1,032	992	944	886	833	784	739	698	660	626	593	563	535		
104DLH21	90	104	1,890	198,480		1,434	1,376	1,322	1,271	1,220	1,160	1,091	1,028	970	917	866	821	779	740	703	668		
104DLH22	104	104	2,119	222,540		1,607	1,551	1,499	1,449	1,401	1,340	1,261	1,189	1,121	1,059	1,001	949	901	855	812	774		
104DLH23	109	104	2,334	245,100		1,772	1,712	1,644	1,578	1,514	1,437	1,348	1,267	1,192	1,125	1,062	1,004	952	902	857	814		
SPAN IN FEET < 113					113-147	148	151	155	160	165	170	175	180	185	190	195	200	205	210	215	220		
112DLH19	67	112	1,223	138,150		935	900	857	805	759	716	677	643	610	579	549	523	498	476	454	433		
112DLH20	76	112	1,384	156,360		1,065	1,032	985	927	873	824	780	740	702	667	632	603	574	547	522	500		
112DLH21	91	112	1,743	196,950		1,337	1,287	1,223	1,150	1,083	1,022	966	915	867	823	782	744	709	676	645	616		
112DLH22	104	112	1,956	221,010		1,499	1,451	1,392	1,321	1,250	1,181	1,117	1,057	1,002	952	904	860	820	782	745	712		
112DLH23	110	112	2,155	243,540		1,653	1,601	1,535	1,454	1,369	1,288	1,214	1,147	1,086	1,030	977	928	882	839	800	763		
112DLH24	131	112	2,555	288,660		1,956	1,895	1,818	1,727	1,631	1,539	1,455	1,379	1,307	1,241	1,179	1,123	1,070	1,019	972	928		
SPAN IN FEET < 121					121-165	166	170	175	180	185	190	195	200	205	210	215	220	225	230	235	240		
120DLH20	77	120	1,229	148,650		896	856	808	766	726	691	658	627	598	570	544	521	498	477	457	439		
120DLH21	92	120	1,528	184,860		1,122	1,072	1,012	959	908	864	821	782	745	710	678	648	620	593	569	545		
120DLH22	104	120	1,751	211,920		1,283	1,235	1,169	1,106	1,049	997	949	903	860	821	783	749	716	686	657	629		
120DLH23	111	120	1,938	234,480		1,415	1,361	1,287	1,219	1,157	1,099	1,046	995	948	903	862	822	786	751	719	689		
120DLH24	132	120	2,298	278,070		1,676	1,610	1,522	1,441	1,367	1,300	1,237	1,177	1,122	1,070	1,022	977	934	894	857	821		
120DLH25	152	120	2,633	318,630		1,926	1,847	1,748	1,656	1,571	1,492	1,418	1,350	1,287	1,228	1,173	1,122	1,073	1,026	983	943		

Discover the easiest way to specify steel joists and Joist Girders:

www.newmill.com/digital-tools



Introduction
 General Joist Information
 Economical Design Guide
 Top Chord Ext., K-Series
 Joist Substitutes & Outriggers
 KCS Joists
 Joist LRFD Load Tables
 Joist ASD Load Tables
 Load/Weight Tables
 Joist Girder Weight Tables
 SJI Standard Specifications
 SJI Code of Stand. Practice
 Fire Resistance Ratings
 OSHA Safety Standards

Joist ASD Load Tables – K-Series

American National Standard SJI-K-2010

STANDARD ASD LOAD TABLE OPEN WEB STEEL JOISTS, K-SERIES

Based on a 50 ksi Maximum Yield Strength
Adopted by the Steel Joist Institute November 4, 1985
Revised to May 18, 2010 – Effective December 31, 2010

The **BLACK** figures in the Load Table give the TOTAL safe uniformly distributed load-carrying capacities, in pounds per linear foot, of **ASD K-Series Steel Joists**.

The approximate joist weights, in pounds per linear foot, given in the Load Table may be added to the other building weights to determine the DEAD load. In all cases the DEAD load, including the joist self-weight, must be deducted from the TOTAL load to determine the LIVE load. The approximate joist weights do not include accessories.

The **RED** figures in the Load Table represent the uniform load, in pounds per linear foot, which will produce an approximate joist deflection of 1/360 of the span. This load can be linearly prorated to obtain the uniform load for supplementary deflection criteria (i.e. a uniform load which will produce a joist deflection of 1/240 of the span may be obtained by multiplying the **RED** figure by 360/240). In no case shall the prorated load exceed the TOTAL load-carrying capacity of the joist.

Where the joist span is in the **RED SHADED** area of the Load Table, the row of bridging nearest the mid span shall be diagonal bridging with bolted connections at chords and intersections. Hoisting cables shall not be released until this row of bolted diagonal bridging is completely installed. The **RED SHADED** area extends up through 60'-0".

The approximate gross moment of inertia (not adjusted for shear deformation), in inches⁴, of a standard joist listed in the Load Table may be determined as follows:

$$I_j = 26.767(W)(L^3)(10^{-6}), \text{ where } W = \text{RED figure in the Load Table, and} \\ L = (\text{span} - 0.33) \text{ in feet.}$$

The TOTAL safe uniformly distributed load-carrying capacities, in pounds per linear foot, of **ASD K-Series Steel Joists** shall not exceed 550 plf for spans shorter than what is explicitly shown in the Load Table. The maximum prorated RED load shall not exceed 550 plf (the TOTAL load-carrying capacity of the joist as given in the Standard **ASD** Load Table for Open Web Steel Joists, K-Series).

Loads for span increments not explicitly given in the Load Table may be determined using linear interpolation between the load values given in adjacent span columns.

For the proper handling of concentrated and/or varying loads, see Section 2.3 in the Code of Standard Practice for Steel Joist and Joist Girders.



Discover the easiest way to specify steel joists and Joist Girders:

www.newmill.com/digital-tools

Joist ASD Load Tables – K-Series

ASD

STANDARD LOAD TABLE FOR OPEN WEB STEEL JOISTS, K-SERIES
BASED ON 50 KSI YIELD

JOIST DESIGNATION	10K1	12K1	12K3	12K5	14K1	14K3	14K4	14K6	16K2	16K3	16K4	16K5	16K6	16K7	16K9
DEPTH (in)	10	12	12	12	14	14	14	14	16	16	16	16	16	16	16
APPROX. WT. (lbs/ft)	5.0	5.0	5.7	7.1	5.2	6.0	6.7	7.7	5.5	6.3	7.0	7.5	8.1	8.6	10.0
SPAN (ft)	LOADS SHOWN IN POUNDS PER LINEAR FOOT (plf)														
10	550 550														
11	550 542														
12	550 455	550 550	550 550	550 550											
13	479 363	550 510	550 510	550 510											
14	412 289	500 425	550 463	550 463	550 550	550 550	550 550	550 550							
15	358 234	434 344	543 428	550 434	511 475	550 507	550 507	550 507							
16	313 192	380 282	476 351	550 396	448 390	550 467	550 467	550 467	550 550	550 550	550 550	550 550	550 550	550 550	550 550
17	277 159	336 234	420 291	550 366	395 324	495 404	550 443	550 443	512 488	550 526	550 526	550 526	550 526	550 526	550 526
18	246 134	299 197	374 245	507 317	352 272	441 339	530 397	550 408	456 409	508 456	550 490	550 490	550 490	550 490	550 490
19	221 113	268 167	335 207	454 269	315 230	395 287	475 336	550 383	408 347	455 386	547 452	550 455	550 455	550 455	550 455
20	199 97	241 142	302 177	409 230	284 197	356 246	428 287	525 347	368 297	410 330	493 386	550 426	550 426	550 426	550 426
21		218 123	273 153	370 198	257 170	322 212	388 248	475 299	333 255	371 285	447 333	503 373	548 405	550 406	550 406
22		199 106	249 132	337 172	234 147	293 184	353 215	432 259	303 222	337 247	406 289	458 323	498 351	550 385	550 385
23		181 93	227 116	308 150	214 128	268 160	322 188	395 226	277 194	308 216	371 252	418 282	455 307	507 339	550 363
24		166 81	208 101	282 132	196 113	245 141	295 165	362 199	254 170	283 189	340 221	384 248	418 269	465 298	550 346
25					180 100	226 124	272 145	334 175	234 150	260 167	313 195	353 219	384 238	428 263	514 311
26					166 88	209 110	251 129	308 156	216 133	240 148	289 173	326 194	355 211	395 233	474 276
27					154 79	193 98	233 115	285 139	200 119	223 132	268 155	302 173	329 188	366 208	439 246
28					143 70	180 88	216 103	265 124	186 106	207 118	249 138	281 155	306 168	340 186	408 220
29									173 95	193 106	232 124	261 139	285 151	317 167	380 198
30									161 86	180 96	216 112	244 126	266 137	296 151	355 178
31									151 78	168 87	203 101	228 114	249 124	277 137	332 161
32									142 71	158 79	190 92	214 103	233 112	259 124	311 147



Introduction
 General Joist Information
 Economical Design Guide
 Top Chord Ext., K-Series
 Joist Substitutes & Outriggers
 KCS Joists
 Joist LRFD Load Tables
 Joist ASD Load Tables
 Load/Weight Tables
 Joist Girder Weight Tables
 SJI Standard Specifications
 SJI Code of Practice
 Fire Resistance Ratings
 OSHA Safety Standards

Joist ASD Load Tables – K-Series

ASD

STANDARD LOAD TABLE FOR OPEN WEB STEEL JOISTS, K-SERIES BASED ON 50 KSI YIELD

JOIST DESIGNATION	18K3	18K4	18K5	18K6	18K7	18K9	18K10	20K3	20K4	20K5	20K6	20K7	20K9	20K10	22K4	22K5	22K6	22K7	22K9	22K10	22K11
DEPTH (in)	18	18	18	18	18	18	18	20	20	20	20	20	20	20	22	22	22	22	22	22	22
APPROX. WT. (lbs/ft)	6.4	7.2	7.7	8.4	8.9	10.1	11.6	6.5	7.2	7.7	8.4	8.9	10.1	11.6	7.3	7.7	8.5	9.0	10.2	11.7	11.9
SPAN (ft)	LOADS SHOWN IN POUNDS PER LINEAR FOOT (plf)																				
18	550	550	550	550	550	550	550														
19	514	550	550	550	550	550	550	550	550	550	550	550	550	550							
20	463	550	550	550	550	550	550	517	550	550	550	550	550	550							
21	420	506	550	550	550	550	550	468	550	550	550	550	550	550	550	550	550	550	550	550	550
22	382	460	518	550	550	550	550	426	514	550	550	550	550	550	550	550	550	550	550	550	550
23	349	420	473	516	550	550	550	389	469	529	550	550	550	550	518	550	550	550	550	550	550
24	320	385	434	473	526	550	550	357	430	485	528	550	550	550	475	536	550	550	550	550	550
25	294	355	400	435	485	550	550	329	396	446	486	541	550	550	438	493	537	550	550	550	550
26	272	328	369	402	448	538	550	304	366	412	449	500	550	550	404	455	496	550	550	550	550
27	252	303	342	372	415	498	550	281	339	382	416	463	550	550	374	422	459	512	550	550	550
28	234	282	318	346	385	463	548	261	315	355	386	430	517	550	348	392	427	475	550	550	550
29	218	263	296	322	359	431	511	243	293	330	360	401	482	550	324	365	398	443	532	550	550
30	203	245	276	301	335	402	477	227	274	308	336	374	450	533	302	341	371	413	497	550	550
31	190	229	258	281	313	376	446	212	256	289	314	350	421	499	283	319	347	387	465	550	550
32	178	215	242	264	294	353	418	199	240	271	295	328	395	468	265	299	326	363	436	517	549
33	168	202	228	248	276	332	393	187	226	254	277	309	371	440	249	281	306	341	410	486	532
34	158	190	214	233	260	312	370	176	212	239	261	290	349	414	235	265	288	321	386	458	516
35	149	179	202	220	245	294	349	166	200	226	246	274	329	390	221	249	272	303	364	432	494
36	141	169	191	208	232	278	330	157	189	213	232	259	311	369	209	236	257	286	344	408	467
37								148	179	202	220	245	294	349	198	223	243	271	325	386	442
38								141	170	191	208	232	279	331	187	211	230	256	308	366	419
39								133	161	181	198	220	265	314	178	200	218	243	292	347	397
40								127	153	172	188	209	251	298	169	190	207	231	278	330	377
41								161	181	197	220	264	314	359	161	181	197	220	264	314	359
42								153	173	188	209	252	299	342	153	173	188	209	252	299	342
43								146	165	179	200	240	285	326	146	165	179	200	240	285	326
44								139	157	171	191	229	272	311	139	157	171	191	229	272	311



Discover the easiest way to specify steel joists and Joist Girders:

www.newmill.com/digital-tools

Introduction
General Joist Information
Economic Design Guide
Top Chord Ex't, K-Series
Joist Substitutes & Outriggers
KCS Joists
Joist LRFD Load Tables
Joist ASD Load Tables
Load/Load Weight Tables
Joist Girder Weight Tables
SJI Standard Specifications
SJI Code of Stand. Practice
Fire Resistance Ratings
OSHA Safety Standards

Joist ASD Load Tables – K-Series

ASD

STANDARD LOAD TABLE FOR OPEN WEB STEEL JOISTS, K-SERIES BASED ON 50 KSI YIELD

JOIST DESIGNATION	24K4	24K5	24K6	24K7	24K8	24K9	24K10	24K12	26K5	26K6	26K7	26K8	26K9	26K10	26K12
DEPTH (in)	24	24	24	24	24	24	24	24	26	26	26	26	26	26	26
APPROX. WT. (lbs/ft)	7.8	7.9	8.5	9.0	9.4	10.3	11.7	13.5	8.1	8.6	9.0	9.7	10.4	11.8	13.7
SPAN (ft)	LOADS SHOWN IN POUNDS PER LINEAR FOOT (plf)														
23	550	550	550	550	550	550	550	550							
	550	550	550	550	550	550	550	550							
24	520	550	550	550	550	550	550	550							
	516	544	544	544	544	544	544	544							
25	479	540	550	550	550	550	550	550	550	550	550	550	550	550	550
	456	511	520	520	520	520	520	520	550	550	550	550	550	550	550
26	442	499	543	550	550	550	550	550	542	550	550	550	550	550	550
	405	453	493	499	499	499	499	499	535	541	541	541	541	541	541
27	410	462	503	550	550	550	550	550	502	547	550	550	550	550	550
	361	404	439	479	479	479	479	479	477	519	522	522	522	522	522
28	381	429	467	521	550	550	550	550	466	508	550	550	550	550	550
	323	362	393	436	456	456	456	456	427	464	501	501	501	501	501
29	354	400	435	485	536	550	550	550	434	473	527	550	550	550	550
	290	325	354	392	429	436	436	436	384	417	463	479	479	479	479
30	331	373	406	453	500	544	550	550	405	441	492	544	550	550	550
	262	293	319	353	387	419	422	422	346	377	417	457	459	459	459
31	310	349	380	424	468	510	550	550	379	413	460	509	550	550	550
	237	266	289	320	350	379	410	410	314	341	378	413	444	444	444
32	290	327	357	397	439	478	549	549	356	387	432	477	519	549	549
	215	241	262	290	318	344	393	393	285	309	343	375	407	431	431
33	273	308	335	373	413	449	532	532	334	364	406	448	488	532	532
	196	220	239	265	289	313	368	368	259	282	312	342	370	404	404
34	257	290	315	351	388	423	502	516	315	343	382	422	459	516	516
	179	201	218	242	264	286	337	344	237	257	285	312	338	378	378
35	242	273	297	331	366	399	473	501	297	323	360	398	433	501	501
	164	184	200	221	242	262	308	324	217	236	261	286	310	356	356
36	229	258	281	313	346	377	447	487	280	305	340	376	409	486	487
	150	169	183	203	222	241	283	306	199	216	240	263	284	334	334
37	216	244	266	296	327	356	423	474	265	289	322	356	387	460	474
	138	155	169	187	205	222	260	290	183	199	221	242	262	308	315
38	205	231	252	281	310	338	401	461	251	274	305	337	367	436	461
	128	143	156	172	189	204	240	275	169	184	204	223	241	284	299
39	195	219	239	266	294	320	380	449	238	260	289	320	348	413	449
	118	132	144	159	174	189	222	261	156	170	188	206	223	262	283
40	185	208	227	253	280	304	361	438	227	247	275	304	331	393	438
	109	122	133	148	161	175	206	247	145	157	174	191	207	243	269
41	176	198	216	241	266	290	344	427	215	235	262	289	315	374	427
	101	114	124	137	150	162	191	235	134	146	162	177	192	225	256
42	168	189	206	229	253	276	327	417	205	224	249	275	300	356	417
	94	106	115	127	139	151	177	224	125	136	150	164	178	210	244
43	160	180	196	219	242	263	312	406	196	213	238	263	286	339	407
	88	98	107	118	130	140	165	213	116	126	140	153	166	195	232
44	153	172	187	209	231	251	298	387	187	204	227	251	273	324	398
	82	92	100	110	121	131	154	199	108	118	131	143	155	182	222
45	146	164	179	199	220	240	285	370	179	194	217	240	261	310	389
	76	86	93	103	113	122	144	185	101	110	122	133	145	170	212
46	139	157	171	191	211	230	272	354	171	186	207	229	250	296	380
	71	80	87	97	106	114	135	174	95	103	114	125	135	159	203
47	133	150	164	183	202	220	261	339	164	178	199	219	239	284	369
	67	75	82	90	99	107	126	163	89	96	107	117	127	149	192
48	128	144	157	175	194	211	250	325	157	171	190	210	229	272	353
	63	70	77	85	93	101	118	153	83	90	100	110	119	140	180
49									150	164	183	202	220	261	339
									78	85	94	103	112	131	169
50									144	157	175	194	211	250	325
									73	80	89	97	105	124	159
51									139	151	168	186	203	241	313
									69	75	83	91	99	116	150
52									133	145	162	179	195	231	301
									65	71	79	86	93	110	142



Introduction
 General Joist Information
 Economical Design Guide
 Top Chord Ext., K-Series
 Joist Substitutes & Outriggers
 KCS Joists
 Joist LRFD Load Tables
 Joist ASD Load Tables
 Load/Weight Tables
 Joist Girder Weight Tables
 SJI Standard Specifications
 SJI Code of Stand. Practice
 Fire Resistance Ratings
 OSHA Safety Standards

Joist ASD Load Tables – K-Series

ASD

STANDARD LOAD TABLE FOR OPEN WEB STEEL JOISTS, K-SERIES BASED ON 50 KSI YIELD

JOIST DESIGNATION	28K6	28K7	28K8	28K9	28K10	28K12	30K7	30K8	30K9	30K10	30K11	30K12
DEPTH (in)	28	28	28	28	28	28	30	30	30	30	30	30
APPROX. WT. (lbs/ft)	8.9	9.2	9.8	10.5	11.8	14.5	9.6	10.0	10.6	11.9	13.3	15.0
SPAN (ft)	LOADS SHOWN IN POUNDS PER LINEAR FOOT (plf)											
27	550	550	550	550	550	550						
	550	550	550	550	550	550						
28	548	550	550	550	550	550						
	541	543	543	543	543	543						
29	511	550	550	550	550	550	550	550	550	550	550	550
	486	522	522	522	522	522	550	550	550	550	550	550
30	477	531	550	550	550	550	550	550	550	550	550	550
	439	486	500	500	500	500	543	543	543	543	543	543
31	446	497	550	550	550	550	534	550	550	550	550	550
	397	440	480	480	480	480	508	520	520	520	520	520
32	418	466	515	549	549	549	501	549	549	549	549	549
	361	400	438	463	463	463	461	500	500	500	500	500
33	393	438	484	527	532	532	471	520	532	532	532	532
	329	364	399	432	435	435	420	460	468	468	468	468
34	370	412	456	496	516	516	443	490	516	516	516	516
	300	333	364	395	410	410	384	420	441	441	441	441
35	349	389	430	468	501	501	418	462	501	501	501	501
	275	305	333	361	389	389	351	384	415	415	415	415
36	330	367	406	442	487	487	395	436	475	487	487	487
	252	280	306	332	366	366	323	353	383	392	392	392
37	312	348	384	418	474	474	373	413	449	474	474	474
	232	257	282	305	344	344	297	325	352	374	374	374
38	296	329	364	396	461	461	354	391	426	461	461	461
	214	237	260	282	325	325	274	300	325	353	353	353
39	280	313	346	376	447	449	336	371	404	449	449	449
	198	219	240	260	306	308	253	277	300	333	333	333
40	266	297	328	357	424	438	319	353	384	438	438	438
	183	203	222	241	284	291	234	256	278	315	315	315
41	253	283	312	340	404	427	303	335	365	427	427	427
	170	189	206	224	263	277	217	238	258	300	300	300
42	241	269	297	324	384	417	289	320	348	413	417	417
	158	175	192	208	245	264	202	221	240	282	284	284
43	230	257	284	309	367	407	276	305	332	394	407	407
	147	163	179	194	228	252	188	206	223	263	270	270
44	220	245	271	295	350	398	263	291	317	376	398	398
	137	152	167	181	212	240	176	192	208	245	258	258
45	210	234	259	282	334	389	251	278	303	359	389	389
	128	142	156	169	198	229	164	179	195	229	246	246
46	201	224	248	270	320	380	241	266	290	344	380	380
	120	133	146	158	186	219	153	168	182	214	236	236
47	192	214	237	258	306	372	230	255	277	329	372	372
	112	125	136	148	174	210	144	157	171	201	226	226
48	184	206	227	247	294	365	221	244	266	315	362	365
	105	117	128	139	163	201	135	148	160	188	215	216
49	177	197	218	237	282	357	212	234	255	303	347	357
	99	110	120	130	153	193	127	139	150	177	202	207
50	170	189	209	228	270	350	203	225	245	291	333	350
	93	103	113	123	144	185	119	130	141	166	190	199
51	163	182	201	219	260	338	195	216	235	279	320	343
	88	97	106	115	136	175	112	123	133	157	179	192
52	157	175	193	210	250	325	188	208	226	268	308	336
	83	92	100	109	128	165	106	116	126	148	169	184
53	151	168	186	203	240	313	181	200	218	258	296	330
	78	87	95	103	121	156	100	109	119	140	159	177
54	145	162	179	195	232	301	174	192	209	249	285	324
	74	82	89	97	114	147	94	103	112	132	150	170
55	140	156	173	188	223	290	168	185	202	240	275	312
	70	77	85	92	108	139	89	98	106	125	142	161
56	135	151	166	181	215	280	162	179	195	231	265	301
	66	73	80	87	102	132	84	92	100	118	135	153
57							156	173	188	223	256	290
							80	88	95	112	128	145
58							151	167	181	215	247	280
							76	83	90	106	121	137
59							146	161	175	208	239	271
							72	79	86	101	115	130
60							141	156	169	201	231	262
							69	75	81	96	109	124



Discover the easiest way to specify steel joists and Joist Girders:

www.newmill.com/digital-tools

Introduction
General Joist Information
Economic Design Guide
Top Chord Extr., K-Series
Joist Substitutes & Outriggers
KCS Joists
Joist LRFD Load Tables
Joist ASD Load Tables
Load/Load Weight Tables
Joist Girder Weight Tables
SJI Standard Specifications
SJI Code of Standard Practice
Fire Resistance Ratings
OSHA Safety Standards

Joist ASD Load Tables – LH-Series

American National Standard SJI-LH/DLH-2010

STANDARD ASD LOAD TABLE LONGSPAN STEEL JOISTS, LH-SERIES

Based on a 50 ksi Maximum Yield Strength
Adopted by the Steel Joist Institute May 25, 1983
Revised to May 18, 2010 – Effective December 31, 2010

The **BLACK** figures in the Load Table give the TOTAL safe uniformly distributed load-carrying capacities, in pounds per linear foot, of **ASD LH-Series Steel Joists**.

The approximate joist weights, in pounds per linear foot, given in the Load Table may be added to the other building weights to determine the DEAD load. In all cases the DEAD load, including the joist self-weight, must be deducted from the TOTAL load to determine the LIVE load. The approximate joist weights do not include accessories.

The **RED** figures in the Load Table represent the uniform load, in pounds per linear foot, which will produce an approximate joist deflection of 1/360 of the span. This load can be linearly prorated to obtain the uniform load for supplementary deflection criteria (i.e. a uniform load that will produce a joist deflection of 1/240 of the span may be obtained by multiplying the **RED** figures by 360/240). In no case shall the prorated load exceed the TOTAL load-carrying capacity of the joist.

The Load Table applies to joists with either parallel chords or pitched top chords. Joists can have a top chord pitch up to 1/2 inch per foot. If the pitch exceeds this limit, the Load Table does not apply. When top chords are pitched, the load-carrying capacities are determined by the nominal depth of the joists at the center of the span. Sloped parallel-chord joists shall use span as defined by the length along the slope.

Where the joist span is in the **RED SHADED** area of the Load Table, the row of bridging nearest the mid span shall be diagonal bridging with bolted connections at chords and intersections. Hoisting cables shall not be released until this row of bolted diagonal bridging is completely installed. The **RED SHADED** area extends up through 60'-0".

Where the joist span is in the **BLUE SHADED** area of the Load Table, all rows of bridging shall be diagonal bridging with bolted connections at chords and intersections. Hoisting cables shall not be released until the two rows of bridging nearest the third points are completely installed. The **BLUE SHADED** area starts after 60'-0" and extends up through 100'-0".

The approximate gross moment of inertia (not adjusted for shear deformation), in inches⁴, of a standard joist listed in the Load Table may be determined as follows:

$$I_j = 26.767(W)(L^3)(10^{-6}), \text{ where } W = \text{RED figure in the Load Table, and} \\ L = (\text{span} - 0.33) \text{ in feet.}$$

Loads for span increments not explicitly given in the Load Table may be determined using linear interpolation between the load values given in adjacent span columns.

*The safe uniform load for the spans shown in the SAFE LOAD Column is equal to (SAFE LOAD) / (span). The TOTAL safe uniformly distributed load-carrying capacity, for spans less than those shown in the SAFE LOAD Column are given in the MAX LOAD Column.

To solve for a **RED** figure for spans shown in the SAFE LOAD Column (or lesser spans), multiply the RED figure of the shortest span shown in the Load Table by (the shortest span shown in the Load Table – 0.33 feet)² and divide by (the actual span – 0.33 feet)². In no case shall the calculated load exceed the TOTAL load-carrying capacity of the joist.



Joist ASD Load Tables - LH-Series

ASD

STANDARD LOAD TABLE FOR OPEN WEB STEEL JOISTS, LH-SERIES BASED ON 50 KSI YIELD

JOIST DESIGNATION	APPROX. WT. (lbs/ft)	DEPTH (in)	MAX. LOAD (plf)	SAFE LOAD* (pounds)	LOADS SHOWN IN POUNDS PER LINEAR FOOT (plf)																				
					SPAN IN FEET		42	43	44	45	46	47	48	49	50	51	52	53	54	55	56				
					SPAN IN FEET		< 34	34-41		42	43	44	45	46	47	48	49	50	51	52	53	54	55	56	
28LH05	13	28	415	14,120					337	323	310	297	286	275	265	255	245	237	228	220	213	206	199		
									219	205	192	180	169	159	150	142	133	126	119	113	107	102	97		
28LH06	16	28	552	18,760					448	429	412	395	379	364	350	337	324	313	301	291	281	271	262		
									289	270	253	238	223	209	197	186	175	166	156	148	140	133	126		
28LH07	17	28	623	21,180					505	484	464	445	427	410	394	379	365	352	339	327	316	305	295		
									326	305	285	267	251	236	222	209	197	186	176	166	158	150	142		
28LH08	18	28	667	22,680					540	517	496	475	456	438	420	403	387	371	357	344	331	319	308		
									348	325	305	285	268	252	236	222	209	196	185	175	165	156	148		
28LH09	21	28	821	27,920					667	639	612	586	563	540	519	499	481	463	446	430	415	401	387		
									428	400	375	351	329	309	291	274	258	243	228	216	204	193	183		
28LH10	23	28	898	30,540					729	704	679	651	625	600	576	554	533	513	495	477	460	444	429		
									466	439	414	388	364	342	322	303	285	269	255	241	228	215	204		
28LH11	25	28	964	32,760					780	762	736	711	682	655	629	605	582	561	540	521	502	485	468		
									498	475	448	423	397	373	351	331	312	294	278	263	249	236	223		
28LH12	27	28	1,058	35,980					857	837	818	800	782	766	737	709	682	656	632	609	587	566	546		
									545	520	496	476	454	435	408	383	361	340	321	303	285	270	256		
28LH13	30	28	1,103	37,500					895	874	854	835	816	799	782	766	751	722	694	668	643	620	598		
									569	543	518	495	472	452	433	415	396	373	352	332	314	297	281		
					SPAN IN FEET		< 39	39-46	47-49		50	51	52	53	54	55	56	57	58	59	60	61	62	64	
32LH06	14	32	431	16,820					338	326	315	304	294	284	275	266	257	249	242	234	227	220	214		
									211	199	189	179	169	161	153	145	138	131	125	119	114	108	104		
32LH07	16	32	485	18,920					379	366	353	341	329	318	308	298	288	279	271	262	254	247	240		
									235	223	211	200	189	179	170	162	154	146	140	133	127	121	116		
32LH08	17	32	527	20,540					411	397	383	369	357	345	333	322	312	302	293	284	275	267	259		
									255	242	229	216	205	194	184	175	167	159	151	144	137	131	125		
32LH09	21	32	661	25,780					516	498	480	463	447	432	418	404	391	379	367	356	345	335	325		
									319	302	285	270	256	243	230	219	208	198	189	180	172	164	157		
32LH10	21	32	731	28,500					571	550	531	512	495	478	462	445	430	416	402	389	376	364	353		
									352	332	315	297	282	267	254	240	228	217	206	196	186	178	169		
32LH11	24	32	801	31,220					625	602	580	560	541	522	505	488	473	458	443	429	416	403	390		
									385	363	343	325	308	292	277	263	251	239	227	216	206	196	187		
32LH12	27	32	939	36,640					734	712	688	664	641	619	598	578	559	541	524	508	492	477	463		
									450	428	406	384	364	345	327	311	295	281	267	255	243	232	221		
32LH13	30	32	1,048	40,880					817	801	785	771	742	715	690	666	643	621	600	581	562	544	527		
									500	480	461	444	420	397	376	354	336	319	304	288	275	262	249		
32LH14	33	32	1,079	42,080					843	826	810	795	780	766	738	713	688	665	643	622	602	583	564		
									515	495	476	458	440	417	395	374	355	337	321	304	290	276	264		
32LH15	35	32	1,115	43,500					870	853	837	821	805	791	776	763	750	725	701	678	656	635	616		
									532	511	492	473	454	438	422	407	393	374	355	338	322	306	292		
					SPAN IN FEET		< 43	43-46	47-57	57	58	59	60	61	62	63	64	65	66	67	68	69	70	71	72
36LH07	16	36	393	16,900					292	283	274	266	258	251	244	237	230	224	218	212	207	201	196		
									177	168	160	153	146	140	134	128	122	117	112	107	103	99	95		
36LH08	18	36	433	18,600					321	311	302	293	284	276	268	260	253	246	239	233	227	221	215		
									194	185	176	168	160	153	146	140	134	128	123	118	113	109	104		
36LH09	21	36	554	23,840					411	398	386	374	363	352	342	333	323	314	306	297	289	282	275		
									247	235	224	214	204	195	186	179	171	163	157	150	144	138	133		
36LH10	21	36	611	26,260					454	440	426	413	401	389	378	367	357	347	338	328	320	311	303		
									273	260	248	236	225	215	206	197	188	180	173	165	159	152	146		
36LH11	23	36	667	28,660					495	480	465	451	438	425	412	401	389	378	368	358	348	339	330		
									297	283	269	257	246	234	224	214	205	196	188	180	173	166	159		
36LH12	25	36	798	34,300					593	575	557	540	523	508	493	478	464	450	437	424	412	400	389		
									354	338	322	307	292	279	267	255	243	232	222	213	204	195	187		
36LH13	30	36	938	40,340					697	675	654	634	615	596	579	562	546	531	516	502	488	475	463		
									415	395	376	359	342	327	312	298	285	273	262	251	240	231	222		
36LH14	36	36	1,034	44,460					768	755	729	706	683	661	641	621	602	584	567	551	535	520	505		
									456	434	412	392	373	356	339	323	309	295	283	270	259	247	237		
36LH15	36	36	1,090	46,880					809	795	781	769	744	721	698	677	656	637	618	600	583	567	551		
									480	464	448	434	413	394	375	358	342	327	312	299	286	274	263		



Joist ASD Load Tables – LH-Series

ASD

STANDARD LOAD TABLE FOR OPEN WEB STEEL JOISTS, LH-SERIES BASED ON 50 KSI YIELD

JOIST DESIGNATION	APPROX. WT. (lbs/ft)	DEPTH (in)	MAX. LOAD (plf)	SAFE LOAD* (pounds)	LOADS SHOWN IN POUNDS PER LINEAR FOOT (plf)																	
					SPAN IN FEET																	
					< 48	48-59	60-65	66	67	68	69	70	71	72	73	74	75	76	77	78	79	80
40LH08	16	40	348	16,680	16,680	254	247	241	234	228	222	217	211	206	201	196	192	187	183	178		
40LH09	21	40	457	21,920	21,920	332	323	315	306	298	291	283	276	269	263	256	250	244	239	233		
40LH10	21	40	503	24,120	24,120	367	357	347	338	329	321	313	305	297	290	283	276	269	262	255		
40LH11	22	40	549	26,340	26,340	399	388	378	368	358	349	340	332	323	315	308	300	293	286	279		
40LH12	25	40	668	32,060	32,060	486	472	459	447	435	424	413	402	392	382	373	364	355	346	338		
40LH13	30	40	788	37,800	37,800	573	557	542	528	514	500	487	475	463	451	440	429	419	409	399		
40LH14	35	40	900	43,220	43,220	656	638	620	603	587	571	556	542	528	515	502	490	478	466	455		
40LH15	36	40	1,007	48,340	48,340	734	712	691	671	652	633	616	599	583	567	552	538	524	511	498		
40LH16	42	40	1,110	53,280	53,280	808	796	784	772	761	751	730	710	691	673	655	638	622	606	591		
					< 53	53-59	60-73	74	75	76	77	78	79	80	81	82	83	84	85	86	87	88
44LH09	19	44	379	20,100	20,100	272	265	259	253	247	242	236	231	226	221	216	211	207	202	198		
44LH10	21	44	419	22,200	22,200	300	293	286	279	272	266	260	254	249	243	238	233	228	223	218		
44LH11	22	44	453	24,000	24,000	325	317	310	302	295	289	282	276	269	264	258	252	247	242	236		
44LH12	25	44	561	29,740	29,740	402	381	375	365	356	347	339	331	323	315	308	300	293	287			
44LH13	30	44	665	35,260	35,260	477	466	454	444	433	423	413	404	395	386	377	369	361	353	346		
44LH14	31	44	766	40,580	40,580	549	534	520	506	493	481	469	457	446	436	425	415	406	396	387		
44LH15	36	44	891	47,220	47,220	639	623	608	593	579	565	551	537	524	512	500	488	476	466	455		
44LH16	42	44	1,027	54,440	54,440	737	719	701	684	668	652	637	622	608	594	580	568	555	543	531		
44LH17	47	44	1,103	58,460	58,460	790	780	769	759	750	732	715	699	683	667	652	638	624	610	597		
					< 57	57-59	60-81	82	83	84	85	86	87	88	89	90	91	92	93	94	95	96
48LH10	21	48	352	20,080	20,080	246	241	236	231	226	221	217	212	208	204	200	196	192	188	185		
48LH11	22	48	382	21,780	21,780	266	260	255	249	244	239	234	229	225	220	216	212	208	204	200		
48LH12	25	48	482	27,500	27,500	336	329	322	315	308	301	295	289	283	277	272	266	261	256	251		
48LH13	29	48	578	32,940	32,940	402	393	384	376	368	360	353	345	338	332	325	318	312	306	300		
48LH14	32	48	682	38,860	38,860	475	464	454	444	434	425	416	407	399	390	383	375	367	360	353		
48LH15	36	48	784	44,680	44,680	545	533	521	510	499	488	478	468	458	448	439	430	422	413	405		
48LH16	42	48	904	51,500	51,500	629	615	601	588	576	563	551	540	528	518	507	497	487	477	468		
48LH17	47	48	1,015	57,840	57,840	706	690	675	660	646	632	619	606	593	581	569	558	547	536	525		



Discover the easiest way to specify steel joists and Joist Girders:

www.newmill.com/digital-tools

Introduction
General Joist Information
Economic Design Guide
Top Chord Ext., K-Series
Joist Substitutes & Outriggers
KCS Joists
Joist LRFD Load Tables
Joist ASD Load Tables
Load/Load Weight Tables
Joist Girder Weight Tables
SJI Standard Specifications
SJI Code of Stand. Practice
Fire Resistance Ratings
OSHA Safety Standards

Joist ASD Load Tables – DLH-Series

American National Standard SJI-LH/DLH-2010

STANDARD **ASD** LOAD TABLE DEEP LONGSPAN STEEL JOISTS, DLH-SERIES

Based on a 50 ksi Maximum Yield Strength

Spans up to and including 144 ft. adopted by the Steel Joist Institute May 25, 1983

Spans greater than 144 ft. up to and including 240 ft. adopted by the Steel Joist Institute May 18, 2010

Revised to May 18, 2010 – Effective December 31, 2010

The **BLACK** figures in the Load Table give the TOTAL safe uniformly distributed load-carrying capacities, in pounds per linear foot, of **ASD DLH-Series** Steel Joists.

The approximate joist weights, in pounds per linear foot, given in the Load Table may be added to the other building weights to determine the DEAD load. In all cases the DEAD load, including the joist self-weight, must be deducted from the TOTAL load to determine the LIVE load. The approximate joist weights do not include accessories.

The **RED** figures in the Load Table represent the uniform load, in pounds per linear foot, which will produce an approximate joist deflection of 1/360 of the span. This load can be linearly prorated to obtain the uniform load for supplementary deflection criteria (i.e. a uniform load which will produce a joist deflection of 1/240 of the span may be obtained by multiplying the **RED** figures by 360/240). In no case shall the prorated load exceed the TOTAL load-carrying capacity of the joist.

The Load Table applies to joists with either parallel chords or pitched top chords. Joists can have a top chord pitch up to 1/2 inch per foot. If the pitch exceeds this limit, the Load Table does not apply. When top chords are pitched, the load-carrying capacities are determined by the nominal depth of the joists at the center of the span. Sloped parallel-chord joists shall use span as defined by the length along the slope.

Where the joist span is in the **BLUE SHADED** area of the Load Table, all rows of bridging shall be diagonal bridging with bolted connections at chords and intersections. Hoisting cables shall not be released until the two rows of bridging nearest the third points are completely installed. The **BLUE SHADED** area starts after 60'-0" and extends up through 100'-0".

Where the joist span is in the **GRAY SHADED** area of the Load Table, all rows of bridging shall be diagonal bridging with bolted connections at chords and intersections. Hoisting cables shall not be released until all rows of bridging are completely installed. The **GRAY SHADED** area starts after 100'-0" and extends up through 240'-0".

The approximate gross moment of inertia (not adjusted for shear deformation), in inches⁴, of a standard joist listed in the Load Table may be determined as follows:

$$I_j = 26.767(W)(L^3)(10^{-6}), \text{ where } W = \text{RED figure in the Load Table, and} \\ L = (\text{span} - 0.33) \text{ in feet.}$$

Loads for span increments not explicitly given in the Load Table may be determined using linear interpolation between the load values given in adjacent span columns.

*The safe uniform load for the spans shown in the SAFE LOAD Column is equal to (SAFE LOAD) / (span). The TOTAL safe uniformly distributed load-carrying capacity, for spans less than those shown in the SAFE LOAD Column are given in the MAX LOAD Column.

To solve for a **RED** figure for spans shown in the SAFE LOAD Column (or lesser spans), multiply the **RED** figure of the shortest span shown in the Load Table by (the shortest span shown in the Load Table - 0.33 feet)² and divide by (the actual span - 0.33 feet)². In no case shall the calculated load exceed the TOTAL load-carrying capacity of the joist.



Joist ASD Load Tables – DLH-Series

ASD

STANDARD LOAD TABLE FOR OPEN WEB STEEL JOISTS, DLH-SERIES BASED ON 50 KSI YIELD

JOIST DESIGNATION	APPROX. WT. (lbs/ft)	DEPTH (in)	MAX. LOAD (plf)	SAFE LOAD* (pounds)	LOADS SHOWN IN POUNDS PER LINEAR FOOT (plf)																
					SPAN IN FEET		90	91	92	93	94	95	96	97	98	99	100	101	102	103	104
SPAN IN FEET < 62					62-89	90	91	92	93	94	95	96	97	98	99	100	101	102	103	104	
52DLH10	25	52	432	26,800	298	291	285	279	273	267	261	256	251	246	241	236	231	227	223		
					171	165	159	154	150	145	140	136	132	128	124	120	116	114	110		
52DLH11	26	52	475	29,420	327	320	313	306	299	293	287	281	275	270	264	259	254	249	244		
					187	181	174	169	164	158	153	149	144	140	135	132	128	124	120		
52DLH12	29	52	529	32,820	365	357	349	342	334	327	320	314	307	301	295	289	284	278	273		
					204	197	191	185	179	173	168	163	158	153	149	144	140	135	132		
52DLH13	34	52	643	39,840	443	433	424	414	406	397	389	381	373	366	358	351	344	338	331		
					247	239	231	224	216	209	203	197	191	185	180	174	170	164	159		
52DLH14	39	52	735	45,580	507	497	486	476	466	457	447	438	430	421	413	405	397	390	382		
					276	266	258	249	242	234	227	220	213	207	201	194	189	184	178		
52DLH15	42	52	826	51,200	569	557	545	533	522	511	500	490	480	470	461	451	443	434	426		
					311	301	291	282	272	264	256	247	240	233	226	219	213	207	201		
52DLH16	45	52	890	55,200	614	601	588	575	563	551	540	528	518	507	497	487	478	468	459		
					346	335	324	314	304	294	285	276	267	260	252	245	237	230	224		
52DLH17	52	52	1,025	63,540	706	691	676	661	647	634	620	608	595	583	572	560	549	539	528		
					395	381	369	357	346	335	324	315	304	296	286	279	270	263	255		
SPAN IN FEET < 67					67-97	98	99	100	101	102	103	104	105	106	107	108	109	110	111	112	
56DLH11	26	56	421	28,200	288	283	277	272	267	262	257	253	248	244	239	235	231	227	223		
					169	163	158	153	149	145	140	136	133	129	125	122	118	115	113		
56DLH12	30	56	484	32,400	331	324	318	312	306	300	295	289	284	278	273	268	263	259	254		
					184	178	173	168	163	158	153	150	145	141	137	133	130	126	123		
56DLH13	34	56	586	39,240	401	394	386	379	372	365	358	351	344	338	331	325	319	314	308		
					223	216	209	204	197	191	186	181	175	171	166	161	157	152	149		
56DLH14	39	56	662	44,360	453	444	435	427	419	411	403	396	388	381	375	368	361	355	349		
					249	242	234	228	221	214	209	202	196	190	186	181	175	171	167		
56DLH15	42	56	756	50,680	518	508	498	488	478	469	460	451	443	434	426	419	411	403	396		
					281	272	264	256	248	242	234	228	221	215	209	204	198	192	188		
56DLH16	46	56	816	54,680	559	548	537	526	516	506	496	487	478	469	460	452	444	436	428		
					313	304	294	285	277	269	262	254	247	240	233	227	221	214	209		
56DLH17	51	56	941	63,020	643	630	618	605	594	582	571	560	549	539	529	520	510	501	492		
					356	345	335	325	316	306	298	289	281	273	266	258	251	245	238		
SPAN IN FEET < 71					71-99	100-105	106	107	108	109	110	111	112	113	114	115	116	117	118	119	120
60DLH12	29	60	439	31,200	31,200	295	289	284	279	274	270	265	261	256	252	248	244	240	236	232	
						168	163	158	154	150	146	142	138	134	131	128	124	121	118	115	
60DLH13	35	60	534	37,920	37,920	358	351	345	339	333	327	322	316	311	306	301	296	291	286	282	
						203	197	191	187	181	176	171	167	163	158	154	151	147	143	139	
60DLH14	40	60	594	42,140	42,140	398	391	383	376	370	363	356	350	344	338	332	327	321	316	310	
						216	210	205	199	193	189	183	178	173	170	165	161	156	152	149	
60DLH15	43	60	697	49,460	49,460	467	458	450	442	434	427	419	412	405	398	392	385	379	373	367	
						255	248	242	235	228	223	216	210	205	200	194	190	185	180	175	
60DLH16	46	60	766	54,380	54,380	513	504	494	485	476	468	460	451	444	436	428	421	414	407	400	
						285	277	269	262	255	247	241	235	228	223	217	211	206	201	196	
60DLH17	52	60	880	62,500	62,500	590	579	569	558	548	538	529	519	510	501	493	484	476	468	460	
						324	315	306	298	290	283	275	267	261	254	247	241	235	228	223	
60DLH18	59	60	1,016	72,120	72,120	681	668	656	644	632	621	610	599	589	578	568	559	549	540	531	
						366	357	346	337	327	319	310	303	294	286	279	272	266	259	252	
SPAN IN FEET < 76					76-99	100-113	114	115	116	117	118	119	120	121	122	123	124	125	126	127	128
64DLH12	31	64	396	30,080	30,080	264	259	255	251	247	243	239	235	231	228	224	221	218	214	211	
						153	150	146	142	138	135	132	129	125	122	119	116	114	111	109	
64DLH13	34	64	480	36,500	36,500	321	315	310	305	300	295	291	286	281	277	273	269	264	260	257	
						186	181	176	171	168	163	159	155	152	148	144	141	137	134	131	
64DLH14	40	64	550	41,820	41,820	367	360	354	349	343	337	332	326	321	316	311	306	301	296	292	
						199	193	189	184	179	174	171	166	162	158	154	151	147	143	140	
64DLH15	43	64	631	47,940	47,940	421	414	407	400	394	387	381	375	369	363	358	352	347	341	336	
						234	228	223	217	211	206	201	196	191	187	182	177	173	170	165	
64DLH16	46	64	710	53,960	53,960	474	466	458	450	443	435	428	421	414	407	401	394	388	382	376	
						262	254	248	242	235	229	224	218	213	208	203	198	193	189	184	
64DLH17	52	64	818	62,180	62,180	546	536	527	518	509	501	492	484	476	468	461	454	446	439	432	
						298	290	283	275	268	262	255	248	243	237	231	226	220	215	210	
64DLH18	59	64	945	71,800	71,800	630	619	608	598	587	578	568	559	549	540	532	523	515	507	499	
						337	328	320	311	304	296	288	282	274	267	261	255	249	243	237	



Discover the easiest way to specify steel joists and Joist Girders:

www.newmill.com/digital-tools

Introduction
General Joist Information
Economic Design Guide
Top Chord Extr., K-Series
Joist Substitutes & Outriggers
KCS Joists
Joist LRFD Load Tables
Joist ASD Load Tables
Load/Load Weight Tables
Joist Girder Weight Tables
SJI Standard Specifications
SJI Code of Standard Practice
Fire Resistance Ratings
OSHA Safety Standards

Joist ASD Load Tables - DLH-Series

ASD

STANDARD LOAD TABLE FOR OPEN WEB STEEL JOISTS, DLH-SERIES BASED ON 50 KSI YIELD

JOIST DESIGNATION	APPROX. WT. (lbs/ft)	DEPTH (in)	MAX. LOAD (plf)	SAFE LOAD* (pounds)	LOADS SHOWN IN POUNDS PER LINEAR FOOT (plf)																																
					SPAN IN FEET		< 81	81-99	100-121	122	123	124	125	126	127	128	129	130	131	132	133	134	135	136													
68DLH13	37	68	433	35,100	35,100	288	284	279	275	271	267	263	259	255	252	248	244	241	237	234	171	168	164	159	155	152	149	145	142	138	135	133	130	127	124		
68DLH14	40	68	499	40,420	40,420	332	327	322	317	312	308	303	299	294	290	286	281	277	273	269	184	179	175	171	167	163	159	155	152	148	145	141	138	135	133		
68DLH15	44	68	560	45,320	45,320	372	365	360	354	348	343	337	332	327	322	317	312	308	299	294	206	201	196	191	187	182	178	174	170	166	162	158	155	152	148		
68DLH16	49	68	663	53,740	53,740	441	433	427	420	413	407	400	394	388	382	376	371	365	360	354	242	236	230	225	219	214	209	204	199	195	190	186	182	178	174		
68DLH17	55	68	748	60,560	60,560	497	489	481	474	467	460	453	446	439	433	427	420	414	408	403	275	268	262	256	249	244	238	232	228	222	217	212	208	203	198		
68DLH18	61	68	865	70,100	70,100	575	566	557	549	540	532	524	516	508	501	493	486	479	472	465	311	304	297	289	283	276	269	263	257	251	246	240	234	230	225		
68DLH19	67	68	997	80,720	80,720	662	651	641	631	621	611	601	592	583	574	565	557	548	540	532	353	344	336	328	320	313	305	298	291	285	278	272	266	260	254		
SPAN IN FEET					< 85	85-99	100-129	130	131	132	133	134	135	136	137	138	139	140	141	142	143	144															
72DLH14	41	72	462	39,300	39,300	303	298	294	290	285	281	277	274	270	266	262	259	255	252	248	171	167	163	159	155	152	149	146	143	139	136	133	131	128	125		
72DLH14	44	72	530	45,020	45,020	347	342	336	331	326	322	317	312	308	303	299	295	291	286	282	191	187	183	178	174	171	167	163	160	156	152	150	147	143	140		
72DLH16	50	72	612	52,040	52,040	401	395	390	384	378	373	368	363	358	353	348	343	338	334	329	225	219	214	209	205	200	196	191	188	183	179	175	171	169	165		
72DLH17	56	72	689	58,540	58,540	451	445	438	432	426	420	414	408	402	397	391	386	381	376	371	256	250	245	239	233	228	224	218	213	209	205	200	196	191	188		
72DLH18	59	72	807	68,580	68,580	528	520	512	505	497	490	483	479	470	463	457	450	444	438	432	289	283	276	270	265	258	252	247	242	236	231	227	222	217	212		
72DLH19	70	72	946	80,400	80,400	619	609	600	591	582	573	565	557	549	541	533	526	518	511	504	328	321	313	306	300	293	286	280	274	268	263	257	251	247	241		
SPAN IN FEET					< 81	81-99	100-111	112	115	118	121	124	127	130	133	136	139	142	145	148	151	155	160														
80DLH15	40	80	644	52,160	52,160	466	442	421	401	383	366	350	335	321	307	295	283	272	261	247	321	296	275	255	236	220	205	192	179	167	157	147	139	130	120	109	
80DLH16	46	80	774	62,680	62,680	560	535	509	485	461	439	419	400	383	366	350	336	322	309	293	375	347	321	297	276	257	240	224	209	196	184	172	162	152	141	128	
80DLH17	53	80	894	72,420	72,420	647	617	587	559	533	510	487	466	446	427	410	393	378	363	345	451	416	386	358	332	309	288	269	252	235	221	207	195	183	169	154	
80DLH18	60	80	1,010	81,840	81,840	731	696	662	631	602	575	550	526	504	482	463	444	427	410	389	516	477	441	409	380	354	330	308	288	270	253	237	223	210	194	176	
80DLH19	67	80	1,179	95,480	95,480	853	812	773	736	701	670	640	612	585	560	537	516	495	476	451	578	533	493	458	425	396	369	344	322	301	283	266	250	235	217	197	
80DLH20	75	80	1,325	107,320	107,320	964	921	882	845	807	771	736	704	674	645	618	594	570	547	520	646	596	552	512	475	443	412	385	360	337	316	297	279	263	243	220	
SPAN IN FEET					< 89	89-99	100-120	121	124	127	130	133	136	139	142	145	148	151	155	160	165	170	175														
88DLH16	46	88	699	62,180	62,180	514	490	467	447	428	410	394	378	363	349	335	318	299	281	265	361	336	313	291	272	254	238	223	210	197	186	172	156	143	130	119	
88DLH17	51	88	790	70,300	70,300	581	553	526	502	479	458	439	420	403	386	371	352	330	310	292	404	375	349	325	304	284	266	249	234	220	207	191	173	159	146	133	
88DLH18	58	88	906	80,620	80,620	667	635	605	577	551	527	504	483	463	444	426	404	379	356	335	460	427	397	370	346	323	303	284	267	250	236	218	199	181	165	152	
88DLH19	65	88	1,048	93,260	93,260	771	734	699	666	636	608	582	557	534	513	492	467	438	411	387	521	484	450	420	392	367	343	322	302	284	267	248	225	205	187	172	
88DLH20	76	88	1,206	107,300	107,300	889	854	821	789	755	723	694	665	639	614	590	560	527	495	467	623	579	539	502	469	438	410	385	361	340	320	296	269	246	224	206	
88DLH21	89	88	1,487	132,260	132,260	1,099	1,045	996	950	907	867	829	794	762	731	702	666	624	586	551	724	673	626	584	545	509	477	447	420	395	372	344	313	285	261	239	

Discover the easiest way to specify steel joists and Joist Girders:



www.newmill.com/digital-tools



Introduction
 General Joist Information
 Economical Design Guide
 Top Chord Ext., K-Series
 Joist Substitutes & Outriggers
 KCS Joists
 Joist LRFD Load Tables
 Joist ASD Load Tables
 Load/Weight Tables
 Joist Girder Weight Tables
 SJI Standard Specifications
 SJI Code of Stand. Practice
 Fire Resistance Ratings
 OSHA Safety Standards

Joist ASD Load Tables – DLH-Series

ASD

STANDARD LOAD TABLE FOR OPEN WEB STEEL JOISTS, DLH-SERIES BASED ON 50 KSI YIELD

JOIST DESIGNATION	APPROX. WT. (lbs/ft)	DEPTH (in)	MAX. LOAD (plf)	SAFE LOAD* (pounds)	LOADS SHOWN IN POUNDS PER LINEAR FOOT (plf)																		
					SPAN IN FEET	< 97	97-99	100-129	130	133	136	139	142	145	148	151	155	160	165	170	175	180	185
96DLH17	52	96	724	70,180	70,180	540	517	496	474	456	438	421	405	385	362	339	320	302	284	269	255		
						389	363	339	318	298	280	263	247	229	208	190	173	159	146	134	124		
96DLH18	58	96	814	79,000	79,000	608	583	559	535	513	493	475	457	435	410	386	364	344	326	308	292		
						443	413	386	362	340	319	300	282	261	237	216	198	181	166	153	141		
96DLH19	66	96	974	94,440	94,440	727	697	667	638	611	585	561	539	512	480	451	424	401	378	357	338		
						502	469	438	410	385	361	340	320	296	269	246	224	206	189	174	161		
96DLH20	74	96	1,096	106,280	106,280	824	789	754	722	691	662	635	610	579	543	510	481	453	428	405	382		
						569	531	496	465	436	409	385	362	336	305	277	254	233	214	196	181		
96DLH21	90	96	1,375	133,340	133,340	1,027	982	940	900	864	829	797	766	728	684	643	605	571	539	510	482		
						698	652	610	571	535	503	473	445	412	374	341	312	286	263	242	224		
96DLH22	102	96	1,540	149,380	149,380	1,150	1,108	1,067	1,028	991	957	921	886	843	792	745	702	664	627	594	562		
						811	757	708	663	622	584	549	517	479	435	396	362	332	305	281	259		
SPAN IN FEET					< 105	105-138	139	142	145	148	151	155	160	165	170	175	180	185	190	195	200	205	
104DLH18	59	104	733	76,980	76,980	554	532	512	489	472	450	423	400	378	358	339	321	305	290	276	263		
						426	400	375	353	332	307	279	255	233	213	195	180	167	154	142	132		
104DLH19	67	104	892	93,620	93,620	674	647	622	598	574	546	513	485	457	432	409	387	368	350	332	315		
						484	453	426	401	377	349	317	289	265	242	222	204	189	175	162	150		
104DLH20	75	104	1,002	105,260	105,260	764	738	714	688	661	629	591	555	522	493	465	440	417	395	375	357		
						548	513	483	453	427	395	359	327	299	274	251	232	214	198	184	170		
104DLH21	90	104	1,260	132,320	132,320	956	917	881	847	813	773	727	685	647	611	578	547	519	493	469	446		
						673	632	593	558	525	486	442	403	368	337	307	284	263	244	226	209		
104DLH22	104	104	1,413	148,360	148,360	1,071	1,034	999	966	934	893	841	792	747	706	668	633	600	570	542	516		
						783	734	689	648	610	564	513	468	428	392	359	331	306	283	262	244		
104DLH23	109	104	1,556	163,400	163,400	1,181	1,141	1,096	1,052	1,009	956	899	845	795	750	708	670	635	602	571	543		
						819	768	721	678	638	590	536	489	447	410	377	347	320	296	274	254		
SPAN IN FEET					< 113	113-147	148	151	155	160	165	170	175	180	185	190	195	200	205	210	215	220	
112DLH19	67	112	815	92,100	92,100	623	600	571	537	506	478	451	428	406	386	366	348	332	317	303	289		
						466	439	406	369	336	308	281	259	238	220	203	189	175	162	151	142		
112DLH20	76	112	922	104,240	104,240	710	688	657	618	582	549	520	493	468	445	422	402	383	365	348	333		
						528	497	459	418	381	348	319	293	270	249	231	213	198	184	171	160		
112DLH21	91	112	1,162	131,300	131,300	891	858	816	767	722	681	644	610	578	549	521	496	473	450	430	411		
						650	612	566	514	469	429	393	361	333	306	283	263	244	227	211	198		
112DLH22	104	112	1,304	147,340	147,340	999	967	928	880	833	787	744	705	668	635	602	574	546	521	497	474		
						755	711	657	598	545	498	457	419	386	356	329	306	283	264	246	229		
112DLH23	110	112	1,437	162,360	162,360	1,102	1,067	1,023	970	913	859	810	765	724	686	651	618	588	560	533	509		
						790	744	688	625	571	522	478	439	404	373	345	320	297	276	257	239		
112DLH24	131	112	1,703	192,440	192,440	1,304	1,263	1,212	1,151	1,087	1,026	970	919	871	828	786	748	713	680	648	619		
						957	901	834	758	691	632	579	532	489	451	418	387	359	334	311	291		
SPAN IN FEET					< 121	121-165	166	170	175	180	185	190	195	200	205	210	215	220	225	230	235	240	
120DLH20	77	120	819	99,100	99,100	597	571	538	510	484	461	438	418	399	380	362	347	332	318	305	292		
						430	400	367	338	311	287	265	246	228	212	198	185	172	161	151	142		
120DLH21	92	120	1,019	123,240	123,240	748	714	675	639	606	576	548	521	497	474	452	432	414	396	379	363		
						530	494	452	416	383	353	326	303	281	262	244	227	212	199	186	175		
120DLH22	104	120	1,168	141,280	141,280	855	823	779	737	699	665	632	602	574	547	522	499	477	457	438	420		
						616	574	526	483	445	411	380	352	327	304	283	265	247	231	217	204		
120DLH23	111	120	1,292	156,320	156,320	943	907	858	813	771	733	697	664	632	602	574	548	524	501	479	459		
						644	601	551	506	466	430	397	369	341	318	296	276	258	241	227	213		
120DLH24	132	120	1,532	185,380	185,380	1,117	1,073	1,015	961	912	867	824	785	748	713	681	651	623	596	571	548		
						781	728	667	613	565	521	482	447	414	386	359	335	313	293	275	258		
120DLH25	152	120	1,756	212,420	212,420	1,284	1,231	1,165	1,104	1,047	994	946	900	858	819	782	748	715	684	656	628		
						915	853	782	718	661	610	564	523	485	452	421	393	367	344	322	302		



Discover the easiest way to specify steel joists and Joist Girders:

www.newmill.com/digital-tools

Introduction
General Joist Information
Economic Design Guide
Top Chord Ext., K-Series
Joist Substitutes & Outriggers
KCS Joists
Joist LRFD Load Tables
Joist ASD Load Tables
Load/Load Weight Tables
Joist Girder Weight Tables
SJI Standard Specifications
SJI Code of Practice
Fire Resistance Ratings
OSHA Safety Standards

Weight Tables for Load/Load LH-Series Joists

STANDARD WEIGHT TABLES FOR LOAD/LOAD LH-SERIES JOISTS

Based on 50 ksi Maximum Yield Strength
Adopted by the Steel Joist Institute December 31, 2010

The joists presented in the following tables are based on the Steel Joist Institute Standard Specifications for Longspan Steel Joist LH-Series and Deep Longspan Steel Joists, DLH-Series adopted February 15, 1978 – revised December 31, 2010 and all the requirements contained therein shall be followed.

The weight tables apply only to joists with parallel chords. The joist top chords are considered as being laterally supported by the deck and/or slab in accordance with the aforementioned specifications.

The top row of figures provides the total uniform design load in pounds per linear foot applied to the joist for LRFD or ASD loading. The row labeled “wt.” is the approximate weight of the joist in pounds per linear foot. “w360” is the uniform load in pounds per linear foot that will produce an approximate deflection of 1/360 of the span. Where the w360 load is equal to the Total Load, the actual w360 load is greater than the Total Load. The row “Ix” provides the approximate Moment of Inertia for the joist. “P_{brg}” is the nominal horizontal force in pounds to be used to determine the required bridging angle size.

These weight tables are intended to be a tool to assist in the preliminary design and estimate for joists used in floors and roofs with high capacity loading requirements. All of the values are approximate and intended as a guide for the **specifying professional**. The joist manufacturer will design for the specific loads of the designation at the required span, and the values for self weight, moment of inertia, and w360 load may vary from the tabulated values – the tabulated values are not design minimums or maximums. Load/Load joist designations are not limited to only the combinations of load, depth, and span as shown in these tables. Interpolation can be used for approximate values when needed between the columns and rows of the table.

Consult with a joist manufacturer for information regarding web openings for duct passage through the joists; the table given in the Accessories and Details Section of the catalog does not apply to these joists. Unless noted in the following, all joists require one (1) row of horizontal erection bridging and shall have a 5 inch minimum bearing seat depth (height).

Joists to the right of the heavy blue line require a 7½ inch minimum bearing seat depth (height).

Joists in the red shaded areas require one (1) row of bolted-cross, erection bridging and one (1) row of horizontal erection bridging.

Joists in the blue shaded areas require a minimum two (2) rows of horizontal erection bridging.

Joists in the gray shaded areas require a 7½ inch minimum bearing seat depth (height) and two (2) rows of horizontal erection bridging.

Example:

Joist Geometry

Design Loads (ASD)

- | | | | | | |
|------------------|--------|---------------|----------|----|--|
| 1) Joist Depth | 26” | 1) Dead Load | 80 psf | or | 800 plf |
| 2) Joist Span | 32’-0” | 2) Live Load | 100 psf | or | <u>1000 plf</u> (No LL reduction is assumed) |
| 3) Joist Spacing | 10’-0” | 3) Total Load | 1800 plf | | |

For this example the joist designation will be 26LH1800/1000.

Entering the weight tables for a joist span of 32’-0”, joist depth of 26”, and a total load of 1800 plf (ASD), the joist will have the following approximate design values:

Wt = 31.8 plf
w360 = 1606 plf
Ix = 1271 in⁴

One (1) row of horizontal erection bridging designed for a bridging force P_{brg} = 1178 pounds.
Minimum required bearing seat depth = 5”.



Weight Tables for Load/Load LH-Series Joists

STANDARD WEIGHT TABLE FOR OPEN WEB STEEL JOISTS, LH-SERIES (LOAD / LOAD)																							
BASED ON 50 KSI YIELD																							
JOIST SPAN (ft)	JOIST DEPTH (in)	LOADS SHOWN IN POUNDS PER LINEAR FOOT (plf)																					
		ASD	500	600	700	800	900	1000	1100	1200	1300	1400	1500	1600	1700	1800	1900	2000	2100	2200	2300	2400	
		LRFD	750	900	1050	1200	1350	1500	1650	1800	1950	2100	2250	2400	2550	2700	2850	3000	3150	3300	3450	3600	
14	14	WEIGHT	7.3	7.6	8.1	8.8	9.4	10.6	11.3	12.0	12.3	12.4	13.4	14.2	15.4	15.6	16.0	17.1	17.6	18.8	19.2	19.4	
		w360	500	600	700	800	900	1000	1100	1200	1300	1400	1500	1600	1700	1800	1900	2000	2100	2200	2300	2400	
		I _x	71	73	77	80	83	96	98	108	108	114	122	131	137	144	149	161	168	174	182	182	
		P _{brg}	266	293	332	373	421	484	520	563	563	563	608	658	726	726	726	797	797	891	891	891	
16	14	WEIGHT	6.9	7.4	7.5	8.4	9.3	9.9	10.9	11.9	12.5	13.4	14.0	15.0	15.8	16.2	17.4	18.1	19.4	19.5	21.3	21.5	
		w360	500	600	700	800	900	1000	1100	1200	1286	1395	1462	1586	1622	1717	1821	1894	2007	2032	2190	2218	
		I _x	67	71	71	81	92	97	107	119	125	133	142	153	158	164	176	181	197	197	215	215	
		P _{brg}	247	281	284	327	366	418	479	512	549	595	595	643	696	696	768	768	842	842	941	941	
	16	WEIGHT	7.0	7.0	7.6	7.9	8.8	9.3	9.9	11.2	11.6	12.5	13.2	13.6	14.1	15.0	16.1	16.5	17.8	17.8	18.2	19.3	
		w360	500	600	700	800	900	1000	1100	1200	1300	1400	1500	1600	1700	1800	1900	2000	2100	2200	2300	2400	
		I _x	89	89	94	97	112	117	129	143	152	162	170	177	183	196	211	220	235	235	243	252	
		P _{brg}	228	228	259	286	324	363	385	441	472	506	548	548	548	592	641	641	708	708	708	776	
18	14	WEIGHT	7.2	7.9	9.1	10.1	11.3	12.8	13.2	13.7	14.7	15.8	17.1	17.7	19.2	19.8	21.1	21.8	23.8	23.9	27.2	27.3	
		w360	500	552	639	720	836	909	976	1046	1109	1188	1259	1312	1421	1481	1550	1637	1774	1774	1951	1985	
		I _x	71	75	88	99	114	127	133	142	153	164	176	181	197	205	215	224	246	246	276	276	
		P _{brg}	297	342	412	465	535	622	622	622	672	727	803	803	880	880	984	984	1090	1090	1282	1282	
	16	WEIGHT	7.3	7.7	8.8	9.4	10.5	11.7	12.7	13.1	13.5	14.4	15.6	16.9	17.4	17.8	19.2	19.3	21.1	21.3	23.3	23.3	
		w360	500	600	700	800	900	1000	1100	1200	1300	1400	1500	1600	1700	1775	1900	1904	2079	2105	2266	2300	
		I _x	94	97	113	119	136	150	165	177	183	196	211	226	235	243	264	264	289	289	314	314	
		P _{brg}	272	300	355	404	463	531	575	575	575	622	673	743	743	743	815	815	911	911	1009	1009	
	18	WEIGHT	7.3	7.8	8.4	9.2	9.9	11.0	11.8	12.7	13.0	13.9	14.9	15.5	16.8	17.2	17.7	18.7	18.9	20.6	20.8	22.6	
		w360	500	600	700	800	900	1000	1100	1200	1300	1400	1500	1600	1700	1800	1900	2000	2100	2200	2300	2400	
		I _x	120	125	131	150	157	178	193	204	218	235	251	261	280	291	303	315	326	356	256	388	
		P _{brg}	253	278	315	354	400	460	493	534	534	577	625	625	690	690	690	756	756	846	846	937	
20	14	WEIGHT	7.6	8.9	10.0	11.3	12.5	13.7	14.7	15.8	17.5	18.2	19.6	20.9	21.7	23.7	26.1	27.2	27.3	28.4	30.0	31.8	
		w360	390	479	542	607	686	759	822	872	953	1003	1089	1139	1203	1288	1381	1441	1474	1532	1604	1706	
		I _x	73	90	102	116	130	142	153	164	181	189	205	215	224	246	260	276	276	292	303	326	
		P _{brg}	331	381	453	519	595	644	697	754	832	832	913	1020	1020	1130	1329	1329	1329	1329	1454	1454	
	16	WEIGHT	7.3	8.3	9.1	10.1	11.2	12.4	13.5	14.5	15.6	17.3	17.6	19.1	19.3	21.0	21.9	23.3	24.0	26.3	27.5	27.6	
		w360	496	571	650	717	795	897	981	1053	1123	1237	1290	1383	1401	1529	1573	1671	1730	1856	1939	1985	
		I _x	94	108	122	135	148	167	183	196	211	235	243	264	264	289	301	314	330	349	372	372	
		P _{brg}	283	330	369	421	482	553	599	647	700	773	773	848	848	948	948	1050	1050	1235	1235	1235	
	18	WEIGHT	7.0	7.8	8.7	9.5	10.5	11.7	12.5	13.4	14.0	15.3	16.3	17.6	17.9	18.8	19.4	21.1	21.3	23.4	23.6	26.5	
		w360	500	600	700	800	900	1000	1100	1200	11300	1400	1500	1600	1665	1751	1826	1980	2003	2157	2180	2364	
		I _x	114	125	143	162	178	195	209	228	245	264	283	303	314	326	340	373	373	406	406	453	
		P _{brg}	232	286	329	370	418	480	515	558	558	603	652	720	720	790	790	883	883	978	978	1150	
	20	WEIGHT	7.0	7.6	7.9	9.0	10.0	11.0	11.9	12.6	13.6	14.1	15.1	16.2	17.5	18.1	18.1	19.2	19.8	21.2	21.7	23.8	
		w360	500	600	700	800	900	1000	1100	1200	1300	1400	1500	1600	1700	1800	1900	2000	2100	2200	2300	2400	
		I _x	142	150	156	182	207	223	244	261	286	296	316	341	365	380	393	409	427	447	468	511	
		P _{brg}	216	246	271	321	366	390	448	481	521	521	563	609	672	672	737	737	824	824	824	913	



Discover the easiest way to specify steel joists and Joist Girders:

www.newmill.com/digital-tools

Introduction
General Joist Information
Economic Design Guide
Top Chord Ex't, K-Series
Joist Substitutes & Outriggers
KCS Joists
Joist LRFD Load Tables
Joist ASD Load Tables
Load/Load Weight Tables
Joist Girder Weight Tables
SJI Standard Specifications
SJI Code of Stand. Practice
Fire Resistance Ratings
OSHA Safety Standards

Weight Tables for Load/Load LH-Series Joists

STANDARD WEIGHT TABLE FOR OPEN WEB STEEL JOISTS, LH-SERIES (LOAD / LOAD)

BASED ON 50 KSI YIELD

JOIST SPAN (ft)	JOIST DEPTH (in)	LOADS SHOWN IN POUNDS PER LINEAR FOOT (plf)																				
		ASD	500	600	700	800	900	1000	1100	1200	1300	1400	1500	1600	1700	1800	1900	2000	2100	2200	2300	2400
		LRFD	750	900	1050	1200	1350	1500	1650	1800	1950	2100	2250	2400	2550	2700	2850	3000	3150	3300	3450	3600
22	14	WEIGHT	8.7	9.8	11.2	12.7	14.0	15.9	17.4	18.9	19.5	21.6	23.6	26.8	27.0	28.1	28.3	31.5	32.6	35.8	37.1	37.3
		w360	358	412	476	545	597	678	723	782	825	904	964	1080	1096	1147	1170	1278	1305	1428	1479	1485
		I _x	90	102	118	135	148	171	181	197	205	224	246	276	276	292	292	326	329	354	372	372
	P _{brg}	392	467	535	613	664	777	858	941	941	1052	1165	1370	1370	1370	1370	1498	1574	1871	1871	1871	
	16	WEIGHT	8.0	9.0	10.3	11.7	12.8	14.0	15.0	17.1	17.5	19.1	20.7	21.7	23.7	23.8	27.0	27.2	28.4	29.7	31.7	32.8
		w360	421	487	561	653	715	796	844	935	978	1050	1145	1197	1295	1331	1453	1487	1562	1618	1724	1760
		I _x	106	122	139	162	180	198	212	235	243	264	289	301	330	330	372	372	393	408	439	444
	P _{brg}	323	381	463	533	572	619	669	799	799	876	980	980	1085	1085	1276	1276	1276	1396	1396	1467	
	18	WEIGHT	7.4	8.6	9.5	10.5	11.6	13.2	13.8	14.8	16.1	17.7	18.2	19.2	21.0	21.9	23.2	24.0	27.1	27.4	27.5	28.5
		w360	481	577	645	738	814	911	978	1060	1139	1248	1301	1371	1480	1547	1618	1702	1882	1897	1927	2025
		I _x	120	143	162	184	203	228	245	264	283	314	327	340	373	389	406	428	482	482	482	509
	P _{brg}	276	341	383	433	498	578	578	625	676	746	746	819	915	915	1014	1014	1192	1192	1192	1192	
20	WEIGHT	7.3	8.0	9.2	10.2	11.4	12.4	13.3	13.9	15.1	16.2	17.5	17.8	19.2	19.4	21.2	21.9	23.4	24.2	26.6	27.5	
	w360	500	600	700	800	900	1000	1100	1200	1300	1400	1500	1564	1678	1723	1886	1972	2036	2139	2267	2388	
	I _x	150	159	187	212	244	261	286	306	330	354	380	393	427	427	468	489	511	538	570	607	
P _{brg}	258	298	359	405	466	500	541	541	585	633	699	699	766	766	857	857	949	949	1116	1116		
22	WEIGHT	7.5	8.3	9.5	10.6	11.5	12.7	13.0	14.0	15.3	16.7	17.2	17.4	18.8	19.0	20.9	21.3	22.7	23.6	25.9	26.7	
	w360	500	600	700	800	900	1000	1100	1200	1300	1400	1500	1600	1700	1800	1900	2000	2100	2200	2300	2400	
	I _x	183	199	233	266	287	312	326	360	384	430	447	447	483	502	549	574	598	627	663	701	
P _{brg}	242	280	357	409	437	508	508	549	594	656	656	656	719	719	804	804	890	890	1047	1047		
24	14	WEIGHT	9.8	11.5	13.0	14.3	16.4	18.5	20.1	22.1	24.4	24.6	28.0	30.0	31.5	31.7	36.9	38.0	40.5	40.9	44.0	44.5
		w360	312	380	431	474	537	602	651	717	785	796	881	942	994	1008	1136	1151	1254	1254	1341	1341
		I _x	102	123	140	154	176	197	213	235	261	261	292	312	326	326	372	377	410	410	439	439
	P _{brg}	452	549	629	681	797	880	965	1079	1195	1195	1405	1405	1537	1537	1919	1919	1919	1919	2223	2223	
	16	WEIGHT	8.9	10.3	11.6	13.0	14.4	16.5	17.9	19.4	20.4	22.5	24.7	24.8	28.2	28.3	31.6	31.9	34.0	37.2	38.2	40.8
		w360	370	440	506	575	633	718	773	840	888	965	1070	1078	1187	1201	1309	1342	1415	1537	1559	1669
		I _x	120	145	164	186	205	235	253	275	286	316	350	350	393	393	439	439	465	503	510	556
	P _{brg}	376	447	513	588	636	745	822	901	901	1008	1116	1116	1312	1312	1436	1436	1509	1793	1793	1793	
	18	WEIGHT	8.1	9.5	10.8	12.1	13.8	14.6	16.3	17.6	18.2	19.8	21.8	22.6	24.9	27.3	28.3	28.5	30.5	32.1	32.2	34.3
		w360	418	506	592	663	751	815	898	971	1016	1085	1189	1267	1386	1457	1538	1556	1651	1722	1743	1836
		I _x	136	164	192	217	245	264	294	314	327	355	389	409	454	482	509	509	547	571	571	605
	P _{brg}	311	367	446	513	596	596	697	769	769	844	944	944	1045	1229	1229	1229	1229	1344	1344	1413	
20	WEIGHT	8.1	9.0	9.9	11.3	12.4	13.9	14.6	16.6	17.7	18.3	19.9	21.9	22.1	24.1	25.1	27.5	27.8	29.0	29.0	32.3	
	w360	500	582	651	767	836	940	991	1125	1202	1253	1363	1494	1518	1644	1742	1835	1864	1959	1979	2169	
	I _x	169	192	212	247	271	306	319	368	393	410	446	489	489	538	570	607	607	641	641	719	
P _{brg}	287	330	371	450	482	559	559	654	722	722	792	885	885	981	981	1153	1153	1153	1153	1261		
22	WEIGHT	8.4	9.7	11.3	12.4	12.6	14.3	15.8	16.4	16.9	18.3	19.8	20.3	22.2	25.1	25.4	26.3	26.3	27.4	28.8	29.1	
	w360	500	600	700	800	900	1000	1100	1200	1300	1400	1500	1600	1700	1800	1900	2000	2100	2200	2300	2380	
	I _x	202	239	279	300	326	371	411	430	447	483	524	549	598	663	663	701	701	746	774	774	
P _{brg}	324	394	486	526	526	615	679	679	679	745	832	832	922	1084	1084	1084	1084	1084	1186	1186		
24	WEIGHT	8.4	9.3	10.6	12.0	12.5	13.5	14.6	16.3	16.7	18.0	18.6	19.9	21.7	21.9	24.7	25.4	25.6	26.5	26.5	28.9	
	w360	500	600	700	800	900	1000	1100	1200	1300	1400	1500	1600	1700	1800	1900	2000	2100	2200	2300	2400	
	I _x	242	259	300	341	375	403	445	494	517	557	581	631	687	687	759	800	800	845	845	934	
P _{brg}	306	372	427	496	496	537	581	641	641	703	703	786	871	871	1024	1024	1024	1024	1024	1120		

Discover the easiest way to specify steel joists and Joist Girders:



Introduction
 General Joist Information
 Economical Design Guide
 Top Chord Ext., K-Series
 Joist Substitutes & Outriggers
 KCS Joists
 Joist LRFD Load Tables
 Joist ASD Load Tables
 Load/Load Weight Tables
 Joist Girder Weight Tables
 SJI Standard Specifications
 SJI Code of Stand. Practice
 Fire Resistance Ratings
 OSHA Safety Standards

Weight Tables for Load/Load LH-Series Joists

STANDARD WEIGHT TABLE FOR OPEN WEB STEEL JOISTS, LH-SERIES (LOAD / LOAD)

BASED ON 50 KSI YIELD

JOIST SPAN (ft)	JOIST DEPTH (in)	LOADS SHOWN IN POUNDS PER LINEAR FOOT (plf)																				
		ASD	500	600	700	800	900	1000	1100	1200	1300	1400	1500	1600	1700	1800	1900	2000	2100	2200	2300	2400
		LRFD	750	900	1050	1200	1350	1500	1650	1800	1950	2100	2250	2400	2550	2700	2850	3000	3150	3300	3450	3600
26	14	WEIGHT	11.0	13.2	15.2	16.9	19.2	22.0	24.3	24.5	27.8	29.8	31.5	36.7	37.6	40.3	40.6	43.8	46.5	46.7	50.1	52.7
		w360	286	347	391	438	492	563	617	635	692	739	782	868	904	984	984	1053	1130	1130	1196	1271
		I _x	119	145	165	183	205	235	261	261	292	312	326	372	377	410	410	439	472	472	499	530
		P _{brg}	521	643	752	815	986	1102	1221	1221	1436	1436	1570	1961	1961	1961	2272	2272	2272	2272	2572	2572
	16	WEIGHT	9.8	11.5	13.4	15.3	16.4	18.5	20.3	22.3	24.5	27.8	28.1	30.0	31.6	33.6	36.9	37.9	40.5	40.8	44.0	44.3
		w360	328	397	459	528	564	641	686	758	840	911	942	997	1053	1111	1205	1233	1333	1333	1427	1454
		I _x	136	164	193	220	235	264	286	316	350	393	393	421	439	465	503	510	556	556	595	595
		P _{brg}	432	525	602	705	763	842	923	1032	1143	1344	1344	1471	1471	1545	1837	1837	1837	1837	2127	2127
	18	WEIGHT	9.0	10.7	12.3	14.0	15.4	16.5	18.1	20.3	21.7	22.5	24.7	28.1	28.3	30.2	31.8	31.9	34.1	37.3	38.2	40.9
		w360	372	465	537	618	681	727	784	888	933	995	1088	1207	1207	1296	1369	1385	1450	1568	1592	1706
		I _x	154	192	224	255	284	303	327	370	389	409	454	509	509	547	571	571	605	654	664	724
		P _{brg}	361	458	527	612	661	716	790	866	969	969	1073	1262	1262	1262	1380	1380	1450	1724	1724	1724
	20	WEIGHT	8.6	9.7	11.3	12.8	14.0	15.0	16.6	18.0	19.6	21.6	22.5	23.8	25.0	28.2	28.4	30.3	31.8	32.0	34.1	37.5
		w360	447	507	603	693	774	830	912	984	1070	1173	1233	1290	1367	1520	1538	1653	1699	1744	1829	1979
		I _x	186	212	253	289	319	342	380	410	446	489	514	538	570	641	641	689	719	719	763	825
		P _{brg}	317	381	463	531	575	622	673	743	815	911	911	1009	1009	1186	1186	1186	1298	1298	1364	1621
	22	WEIGHT	8.1	9.5	10.7	12.2	13.5	14.4	15.5	16.9	18.2	19.7	20.6	22.0	24.0	25.1	27.4	28.5	28.8	30.5	32.2	32.3
		w360	496	587	680	786	861	947	1005	1130	1206	1312	1392	1441	1583	1681	1771	1870	1892	2035	2097	2149
		I _x	207	247	282	332	362	390	419	466	503	547	571	601	660	701	746	789	789	849	886	886
		P _{brg}	282	359	406	467	542	542	586	634	700	767	767	858	858	950	1117	1117	1117	1117	1222	1222
	24	WEIGHT	7.8	9.2	10.2	11.5	12.9	14.0	14.7	15.8	16.9	18.4	19.5	20.2	22.2	23.0	24.4	25.5	27.9	28.8	29.1	29.2
		w360	500	600	700	800	900	1000	1100	1200	1300	1400	1500	1580	1700	1800	1900	2000	2100	2200	2281	2310
		I _x	228	287	318	363	410	451	469	504	542	606	631	659	724	760	796	844	900	951	951	951
		P _{brg}	266	315	359	412	472	511	511	553	598	660	724	724	810	810	897	897	1054	1054	1054	1054
26	WEIGHT	8.4	9.8	11.0	12.5	12.9	13.9	15.2	16.7	17.2	18.6	20.0	20.5	22.5	22.7	25.5	25.7	26.6	26.7	27.8	29.5	
	w360	500	600	700	800	900	1000	1100	1200	1300	1400	1500	1600	1700	1800	1900	2000	2100	2200	2300	2400	
	I _x	286	338	386	425	463	512	546	611	637	688	747	783	854	854	949	949	1003	1003	1069	1109	
	P _{brg}	306	372	427	496	496	537	581	641	641	703	786	786	826	871	1024	1024	1024	1024	1024	1120	
28	14	WEIGHT	12.4	15.0	17.6	19.9	22.0	24.4	27.7	29.8	31.3	36.6	37.5	40.3	43.8	43.9	49.8	50.1	52.8	56.2	56.3	63.3
		w360	260	312	358	408	451	499	553	590	624	713	738	786	842	859	940	956	1015	1051	1057	1142
		I _x	135	165	189	213	235	261	292	312	326	372	377	410	439	439	499	499	530	546	546	596
		P _{brg}	611	767	916	1005	1123	1244	1463	1463	1600	1999	1999	1999	2315	2315	2621	2621	2621	2621	2927	2927
	16	WEIGHT	11.1	12.9	15.1	17.6	19.3	21.4	23.4	26.8	27.9	30.0	31.5	36.8	37.0	40.5	40.9	44.0	44.4	50.0	50.4	50.5
		w360	304	358	422	480	527	585	635	700	753	797	842	948	968	1047	1066	1140	1164	1276	1297	1322
		I _x	158	186	220	253	275	301	330	372	393	421	439	503	503	556	556	595	595	677	677	677
		P _{brg}	536	615	719	860	943	1054	1167	1373	1373	1373	1502	1875	1875	1875	1875	2172	2172	2460	2460	2460
	18	WEIGHT	10.1	12.0	14.0	15.3	17.4	19.4	21.5	22.4	24.7	28.0	28.2	31.6	31.8	37.0	37.2	38.2	40.9	44.3	44.4	44.7
		w360	345	420	494	544	609	681	746	784	870	965	976	1080	1093	1233	1252	1283	1388	1486	1486	1517
		I _x	179	217	255	284	314	355	389	409	545	509	509	571	571	654	654	664	724	775	775	775
		P _{brg}	440	539	626	676	808	886	991	991	1098	1291	1291	1412	1412	1763	1763	1763	1763	2042	2042	2042
	20	WEIGHT	9.4	10.9	12.9	14.1	15.5	17.6	19.5	21.6	22.5	23.8	27.2	28.4	28.5	31.9	32.1	33.3	37.5	37.8	38.6	44.4
		w360	396	465	554	619	681	763	855	938	985	1050	1151	1215	1230	1361	1379	1427	1581	1603	1642	1879
		I _x	205	240	289	319	355	393	446	489	514	538	607	641	641	719	719	729	825	825	839	980
		P _{brg}	363	441	544	590	637	761	835	933	933	1034	1216	1216	1216	1330	1330	1397	1661	1661	1661	1924
	22	WEIGHT	9.3	10.9	12.9	13.6	15.0	17.1	17.9	18.6	20.4	21.8	23.8	24.8	27.2	28.4	30.1	31.7	32.0	33.9	37.4	37.5
		w360	470	548	660	716	795	884	964	1019	1094	1152	1265	1343	1437	1512	1606	1676	1698	1789	1949	1976
		I _x	247	290	350	375	419	466	503	525	571	601	660	701	746	789	849	886	886	940	1017	1017
		P _{brg}	369	448	556	556	601	718	718	788	881	975	975	1147	1147	1147	1255	1255	1318	1567	1567	1567
	24	WEIGHT	9.1	10.7	12.0	13.3	14.5	16.0	17.4	17.7	19.6	21.0	21.9	23.9	27.1	27.4	28.4	28.7	30.5	31.9	32.3	33.2
		w360	500	600	700	792	887	988	1063	1128	1263	1306	1387	1526	1693	1706	1802	1823	1940	2023	2050	2094
		I _x	274	336	383	420	465	521	560	581	659	691	724	796	900	900	951	951	1025	1069	1069	1085
		P _{brg}	349	423	486	526	568	615	679	679	744	832	832	922	1084	1084	1084	1084	1084	1186	1186	1246
26	WEIGHT	10.1	11.4	12.3	13.5	15.7	16.0	18.0	18.4	19.9	21.6	24.4	25.1	25.4	26.2	28.5	28.8	30.7	30.8	31.1	36.1	
	w360	500	600	700	800	900	1000	1100	1200	1300	1400	1500	1600	1700	1800	1900	2000	2100	2200	2269	2400	
	I _x	347	395	425	476	562	585	660	688	747	814	901	949	949	1003	1109	1109	1191	1191	1191	1391	
	P _{brg}	401	460	498	538	642	642	705	705	788	873	1026	1026	1026	1026	1122	1122	1179	1179	1179	1402	
28	WEIGHT	9.5	11.2	12.5	13.6	14.7	15.9	16.8	18.3	20.0	21.2	21.8	24.4	25.2	25.5	26.2	27.9	28.9	30.0	30.9	31.3	
	w360	500	600	700	800	900	1000	1100	11200	1300	1400	1500	1600	1700	1800	1900	2000	2100	2200	2300	2400	
	I _x	357	423	497	556	615	656	715	771	838	907	952	1054	1112	1112	1174	1216	1299	1316	1396	1396	
	P _{brg}	372	459	496	537	581	641	641	703	786	871	871	1024	1024	1024	1024	1120	1120	1177	1177	1177	



Discover the easiest way to specify steel joists and Joist Girders:

www.newmill.com/digital-tools

Weight Tables for Load/Load LH-Series Joists

STANDARD WEIGHT TABLE FOR OPEN WEB STEEL JOISTS, LH-SERIES (LOAD / LOAD)

BASED ON 50 KSI YIELD

JOIST SPAN (ft)	JOIST DEPTH (in)	LOADS SHOWN IN POUNDS PER LINEAR FOOT (plf)																						
		ASD	500	600	700	800	900	1000	1100	1200	1300	1400	1500	1600	1700	1800	1900	2000	2100	2200	2300	2400		
		LRFD	750	900	1050	1200	1350	1500	1650	1800	1950	2100	2250	2400	2550	2700	2850	3000	3150	3300	3450	3600		
30	16	WEIGHT	12.4	14.2	16.9	19.2	22.1	24.4	27.7	29.8	31.4	36.5	37.6	40.3	43.7	43.9	46.7	50.0	50.1	56.0	56.2	63.0		
		w360	282	323	381	433	491	545	604	647	683	770	800	865	925	947	996	1053	1073	1144	1154	1265		
		I _x	180	205	245	275	316	350	393	421	439	503	510	556	595	595	640	677	677	742	742	813		
	P _{brg}	584	678	793	960	1073	1189	1398	1398	1529	1910	1910	1910	2212	2212	2212	2505	2505	2797	2797	3173			
	18	WEIGHT	11.5	13.3	15.3	17.8	19.3	22.2	24.6	26.8	28.0	31.4	31.5	36.7	37.7	40.6	43.9	44.0	46.9	50.0	50.3	50.4		
		w360	326	384	442	509	560	636	706	754	792	866	888	1001	1032	1107	1182	1206	1297	1350	1373	1401		
		I _x	211	249	284	327	355	409	454	482	509	571	571	654	664	724	775	775	834	883	883	883		
	20	WEIGHT	10.3	12.2	13.9	15.4	17.8	19.4	21.5	23.6	24.7	27.9	28.1	31.5	32.6	37.0	37.3	40.5	40.8	44.0	44.3	46.9		
		w360	365	436	502	553	638	694	773	837	887	986	1007	1119	1134	1263	1291	1399	1424	1525	1525	1642		
		I _x	233	280	319	355	410	446	489	538	570	641	641	719	729	825	825	916	916	980	980	1055		
	22	WEIGHT	9.6	11.5	13.2	14.5	16.3	17.9	19.6	21.6	23.6	24.7	27.1	28.3	30.2	31.9	33.1	37.2	37.6	38.4	41.2	44.3		
		w360	408	484	571	630	709	783	851	935	1027	1090	1167	1227	1304	1378	1397	1557	1582	1623	1758	1882		
		I _x	259	309	366	405	451	503	547	601	660	701	746	789	849	886	898	1017	1017	1035	1130	1210		
	24	WEIGHT	9.0	10.9	12.4	13.8	15.4	16.7	18.2	19.7	21.8	22.7	24.9	27.3	28.5	28.9	31.9	32.3	33.4	37.5	37.9	38.7		
		w360	441	553	619	704	784	873	943	1025	1126	1182	1313	1385	1463	1480	1642	1664	1688	1912	1912	1963		
		I _x	282	352	398	451	504	561	606	659	724	760	844	900	951	951	1069	1069	1085	1229	1229	1252		
	26	WEIGHT	9.1	10.5	12.0	13.6	15.1	16.5	17.7	19.2	19.8	21.9	24.0	24.2	27.4	28.6	28.8	32.0	32.3	33.4	37.6	37.9		
		w360	500	600	700	793	894	987	1070	1149	1215	1335	1449	1497	1640	1737	1757	1951	1951	2021	2240	2275		
		I _x	339	387	452	514	574	641	688	748	781	858	944	944	1069	1129	1129	1271	1271	1291	1462	1462		
	28	WEIGHT	8.6	10.2	11.8	13.4	14.1	15.3	16.9	18.0	19.5	21.3	22.3	24.1	24.3	27.6	27.9	29.1	30.6	32.4	33.4	33.7		
		w360	500	600	700	800	900	1000	1100	1200	1300	1400	1500	1600	1700	1800	1900	2000	2100	2200	2300	2370		
		I _x	361	438	514	580	623	670	749	805	874	958	1005	1105	1105	1251	1251	1323	1376	1489	1513	1513		
	30	WEIGHT	10.4	11.9	12.5	14.1	15.4	16.4	17.8	19.9	21.2	24.0	24.6	25.4	25.8	28.0	28.3	30.0	30.8	35.2	35.3	36.3		
		w360	500	600	700	800	900	1000	1100	1200	1300	1400	1500	1600	1700	1800	1900	2000	2100	2200	2300	2400		
I _x		477	542	573	659	730	789	854	969	1049	1159	1219	1287	1287	1408	1408	1524	1524	1732	1732	1891			
32	16	WEIGHT	14.1	16.7	20.0	22.1	24.4	27.8	29.9	32.6	37.6	40.3	40.6	46.5	46.8	50.0	52.8	56.2	59.1	63.3	66.7	67.2		
		w360	262	314	366	405	448	503	546	588	648	712	727	819	819	866	920	950	982	1041	1106	1133		
		I _x	205	245	286	316	350	393	421	459	510	556	556	640	640	677	719	742	767	813	864	864		
	18	WEIGHT	12.5	14.7	17.0	20.1	22.3	24.5	27.9	30.0	31.6	36.8	37.8	40.7	40.8	44.2	47.1	50.3	53.0	53.2	56.6	59.4		
		w360	298	351	405	474	523	581	644	692	731	824	857	927	927	992	1068	1131	1202	1241	1286			
		I _x	232	274	316	370	409	454	509	547	571	654	664	724	724	775	834	883	939	939	970	1005		
	20	WEIGHT	11.6	13.5	15.4	17.9	20.3	22.4	24.7	28.0	28.3	31.7	32.0	37.2	38.1	40.8	41.2	44.4	47.3	50.4	50.8	53.3		
		w360	341	406	455	525	595	658	730	811	829	921	921	1039	1073	1173	1173	1255	1351	1431	1431	1521		
		I _x	264	311	355	410	465	514	570	641	641	719	719	825	839	916	916	980	1055	1118	1118	1188		
	22	WEIGHT	10.7	12.3	14.3	16.4	17.9	20.2	22.2	24.5	26.8	27.9	29.9	31.5	32.6	37.1	37.9	40.6	43.8	44.2	44.3	50.0		
		w360	379	445	518	597	644	731	808	897	945	1010	1073	1134	1166	1302	1324	1446	1549	1549	1585	1767		
		I _x	293	343	405	466	503	571	631	701	746	789	849	886	898	1017	1035	1130	1210	1210	1210	1380		
	24	WEIGHT	10.1	12.0	13.8	15.1	16.6	18.1	20.3	22.4	23.8	27.0	28.2	28.4	31.8	31.8	37.1	37.4	38.1	40.9	44.0	44.5		
		w360	419	510	580	652	718	795	881	973	1038	1140	1204	1230	1351	1385	1536	1573	1602	1750	1836	1874		
		I _x	329	398	451	504	561	606	688	760	796	900	951	951	1069	1069	1229	1229	1252	1367	1464	1464		
	26	WEIGHT	10.7	12.1	13.6	14.9	17.4	17.7	19.7	21.6	22.5	24.0	27.1	28.2	28.5	31.8	32.9	33.1	37.5	37.6	38.6	44.2		
		w360	491	571	653	735	831	893	1000	1082	1155	1209	1353	1429	1446	1606	1644	1663	1871	1897	1922	2186		
		I _x	397	453	514	574	663	688	781	858	902	944	1069	1129	1129	1271	1290	1290	1462	1462	1490	1743		
	28	WEIGHT	10.2	12.0	13.4	14.6	16.3	17.7	18.3	19.8	21.9	23.9	24.0	27.3	28.3	28.7	32.0	32.1	33.3	37.6	38.1	38.6		
		w360	500	600	700	800	900	973	1075	1169	1286	1395	1415	1585	1674	1694	1850	1882	1937	2158	2195	2255		
		I _x	428	506	580	643	720	755	840	913	1005	1105	1105	1251	1323	1323	1489	1489	1513	1715	1715	1748		
	30	WEIGHT	11.5	13.0	14.9	15.7	17.2	19.2	20.8	23.7	24.3	25.1	26.8	28.3	29.4	29.7	33.8	34.5	35.7	39.3	39.4	39.9		
		w360	500	600	700	800	900	1000	1100	1200	1300	1400	1500	1600	1700	1800	1900	2000	2100	2200	2300	2400		
		I _x	496	588	676	758	815	927	1004	1159	1219	1287	1330	1425	1524	1524	1732	1732	1891	2004	2004	2004		



OSHA Safety Standards
Fire Resistance Ratings
SJI Code of Stand. Practice
SJI Standard Specifications
Joist Girder Weight Tables
Load/Load Weight Tables
Joist ASD Load Tables
Joist LRFD Load Tables
KCS Joists
Joist Substitutes & Outriggers
Top Chord Ext., K-Series
Economic Design Guide
General Joist Information
Introduction

Weight Tables for Load/Load LH-Series Joists

STANDARD WEIGHT TABLE FOR OPEN WEB STEEL JOISTS, LH-SERIES (LOAD / LOAD)

BASED ON 50 KSI YIELD

JOIST SPAN (ft)	JOIST DEPTH (in)	LOADS SHOWN IN POUNDS PER LINEAR FOOT (plf)																				
		ASD	500	600	700	800	900	1000	1100	1200	1300	1400	1500	1600	1700	1800	1900	2000	2100	2200	2300	2400
		LRFD	750	900	1050	1200	1350	1500	1650	1800	1950	2100	2250	2400	2550	2700	2850	3000	3150	3300	3450	3600
34	18	WEIGHT	14.1	16.8	20.0	22.1	24.5	27.9	30.0	32.7	37.6	40.4	40.6	43.9	46.9	50.1	52.8	56.1	59.3	63.2	66.6	67.0
		w360	281	337	394	436	484	543	583	636	694	758	772	846	889	941	1000	1034	1071	1135	1208	1208
		I _x	264	316	370	409	454	509	547	597	664	724	724	775	834	883	939	970	1005	1065	1133	1133
	P _{brg}	660	772	935	1045	1158	1361	1361	1489	1859	1859	1859	2154	2154	2439	2439	2723	2723	3089	3089	3089	3089
	20	WEIGHT	12.5	14.7	16.9	20.0	22.1	24.5	27.9	29.9	31.5	36.8	37.7	40.4	43.8	44.1	46.8	50.1	52.8	58.1	56.2	59.3
		w360	310	370	427	496	548	608	676	726	767	866	902	976	1045	1069	1125	1192	1266	1280	1311	1360
		I _x	290	343	396	465	514	570	641	689	719	825	839	916	980	980	1055	1188	1188	1188	1230	1276
	P _{brg}	538	624	730	884	988	1095	1287	1287	1408	1759	1759	1759	2037	2037	2037	2307	2307	2307	2307	2576	2576
	22	WEIGHT	11.6	14.0	15.8	18.5	20.3	22.2	24.6	27.9	29.9	31.5	32.9	37.1	40.4	40.6	44.0	44.5	47.1	50.1	50.6	53.0
		w360	347	421	479	560	609	673	747	831	894	944	999	1067	1204	1204	1264	1290	1388	1471	1500	1565
		I _x	322	390	449	525	571	631	701	789	849	886	926	1017	1130	1130	1210	1210	1302	1380	1380	1468
	P _{brg}	476	591	639	764	838	936	1037	1220	1220	1334	1334	1666	1666	1666	1930	1930	1930	1930	2185	2185	2185
	24	WEIGHT	11.0	13.3	14.6	16.7	18.7	20.5	22.6	24.9	28.1	28.4	31.8	32.1	37.3	38.2	40.9	41.2	44.4	44.8	47.3	50.9
		w360	385	470	518	598	682	734	810	900	1003	1014	1125	1140	1280	1345	1457	1457	1561	1561	1680	1781
		I _x	360	439	486	561	632	688	760	844	951	951	1068	1068	1229	1229	1367	1367	1464	1464	1576	1671
	P _{brg}	420	518	561	656	724	795	888	984	1157	1157	1266	1266	1581	1581	1581	1581	1831	1831	1831	2073	
	26	WEIGHT	10.6	12.7	14.1	16.4	17.7	19.5	21.7	23.8	27.1	27.5	28.7	31.8	32.9	36.3	37.7	38.4	41.2	44.4	44.9	45.1
		w360	424	517	598	676	743	833	915	993	1118	1118	1204	1337	1376	1480	1558	1600	1734	1858	1858	1858
		I _x	400	485	555	641	688	781	858	944	1069	1069	1129	1271	1290	1391	1462	1490	1627	1743	1743	1743
	P _{brg}	399	492	533	624	688	755	844	935	1099	1099	1099	1202	1263	1502	1502	1502	1502	1739	1739	1739	1739
	28	WEIGHT	10.2	12.0	13.9	15.5	17.5	18.3	19.9	22.0	24.2	27.4	27.8	28.9	32.0	32.4	33.4	37.8	38.2	39.1	44.6	44.8
		w360	470	560	661	734	827	895	973	1071	1162	1308	1341	1410	1567	1588	1613	1797	1828	1877	2135	2181
		I _x	438	527	623	696	775	840	913	1005	1105	1251	1251	1323	1489	1489	1513	1715	1715	1748	2046	2046
	P _{brg}	356	437	507	548	655	655	718	803	889	1045	1045	1045	1144	1144	1202	1428	1428	1428	1654	1654	1654
30	WEIGHT	10.9	12.4	13.6	15.3	17.6	17.9	19.5	21.3	23.5	24.5	27.5	27.9	29.1	32.4	33.3	33.7	37.7	38.3	39.1	44.8	
	w360	500	600	700	800	900	981	1065	1164	1277	1363	1500	1528	1584	1675	1835	1882	2070	2119	2161	2400	
	I _x	534	610	693	774	895	930	1011	1108	1214	1214	1449	1449	1449	1532	1726	1726	1726	1988	1988	2374	
P _{brg}	400	459	496	537	641	641	703	786	871	871	1024	1024	1024	1120	1177	1177	1399	1399	1399	1620		
32	WEIGHT	10.3	12.2	13.4	15.0	17.3	18.0	19.1	21.3	22.3	23.8	26.9	28.0	28.2	29.3	31.8	33.4	33.9	37.1	38.6	38.7	
	w360	500	600	700	800	900	1000	1100	1200	1300	1400	1500	1600	1700	1800	1900	2000	2100	2200	2300	2400	
	I _x	564	668	766	849	984	1025	1107	1269	1332	1391	1558	1661	1661	1756	1827	2013	2013	2170	2281	2281	
P _{brg}	372	459	496	537	641	641	703	786	876	871	1024	1024	1024	1120	1177	1177	1399	1399	1399	1620		
36	18	WEIGHT	15.2	19.2	22.1	24.5	27.9	31.3	36.6	37.6	40.6	43.9	46.7	50.0	52.8	56.3	59.1	63.3	66.7	74.0	80.6	80.9
		w360	257	319	367	407	457	512	577	601	650	695	748	792	842	870	901	955	1016	1097	1175	1194
		I _x	284	355	409	454	509	571	654	664	724	775	834	883	939	970	1005	1065	1133	1214	1310	1310
	P _{brg}	723	948	1060	1174	1380	1510	1886	1886	1886	2184	2184	2473	2473	2762	2762	3162	3162	3162	3792	3792	3792
	20	WEIGHT	14.2	16.4	19.3	22.2	24.6	28.0	30.0	31.7	37.0	40.6	40.8	44.1	46.9	50.3	53.1	56.4	59.2	63.4	63.6	67.4
		w360	305	345	405	461	511	575	611	654	728	806	821	879	947	1003	1065	1103	1144	1213	1213	1291
		I _x	331	380	446	514	570	641	689	719	825	916	916	980	1055	1118	1188	1230	1276	1352	1352	1439
	P _{brg}	634	742	898	1004	1112	1307	1307	1430	1786	1786	1786	2068	2068	2342	2342	2615	2615	2966	2966	2966	2966
	22	WEIGHT	12.6	15.2	17.7	20.0	22.2	24.5	27.8	29.8	31.5	36.6	37.6	40.4	43.6	46.4	46.8	50.0	52.5	55.9	56.0	59.2
		w360	322	390	451	512	566	629	699	752	795	898	936	1013	1086	1168	1168	1238	1316	1364	1364	1444
		I _x	354	435	503	571	631	701	789	849	886	1017	1035	1130	1210	1302	1380	1468	1521	1521	1580	1580
	P _{brg}	518	650	776	851	952	1054	1240	1240	1356	1693	1693	1693	1961	1961	1961	2221	2221	2480	2480	2480	2480
	24	WEIGHT	11.9	14.4	16.4	18.5	20.3	22.4	24.7	28.0	30.1	31.6	33.8	37.9	40.6	40.8	44.2	46.7	47.2	50.3	53.1	56.3
		w360	361	436	503	574	617	682	757	844	908	959	1027	1132	1226	1226	1314	1414	1414	1499	1593	1654
		I _x	399	486	561	632	688	760	844	951	1025	1069	1136	1252	1367	1367	1464	1576	1576	1671	1777	1844
	P _{brg}	460	571	668	737	808	904	1001	1177	1177	1288	1353	1608	1608	1608	1863	1863	1863	2109	2109	2355	
	26	WEIGHT	11.5	13.6	15.5	17.4	19.5	21.6	23.6	26.9	28.2	31.4	31.7	35.9	37.3	38.2	40.8	44.2	44.4	47.2	50.3	50.9
		w360	396	476	555	618	701	770	847	940	1001	1112	1140	1245	1313	1347	1459	1563	1563	1684	1754	1784
		I _x	439	533	619	688	781	858	944	1069	1129	1271	1271	1391	1462	1490	1627	1743	1743	1877	1989	1989
	P _{brg}	437	543	587	701	769	859	952	1119	1119	1224	1224	1529	1529	1529	1771	1771	1771	2005	2005	2005	
	28	WEIGHT	10.9	13.1	14.3	16.6	18.2	19.7	21.8	23.9	27.3	28.3	29.9	31.9	33.0	37.4	37.5	38.6	44.4	44.6	45.0	50.6
		w360	434	520	588	679	754	830	915	1010	1101	1173	1232	1336	1357	1512	1539	1580	1798	1835	1835	2059
		I _x	485	585	648	749	840	913	1005	1105	1251	1323	1376	1489	1513	1715	1715	1748	2046	2046	2046	2336
	P _{brg}	387	477	517	605	667	732	818	906	1066	1066	1166	1166	1225	1456	1456	1456	1686	1686	1686	1909	
30	WEIGHT	12.3	13.2	15.4	17.3	18.6	20.9	23.0	26.0	27.0	27.3	29.9	31.7	32.9	33.1	37.5	37.6	38.7	44.2	44.6	44.8	
	w360	500	591	698	787	848	967	1059	1182	1274	1285	1397	1510	1545	1566	1742	1783	1819	2086	2130	2130	
	I _x	597	670	800	895	967	1108	1214	1360	1449	1449	1594	1726	1754	1754	1988	1988	2028	2374	2374	2374	
P _{brg}	496	496	581	641	703	786	871	1024	1024	1024	1120	1120	1177	1177	1399	1399	1399	1620	1620	1620		
32	WEIGHT</																					

Weight Tables for Load/Load LH-Series Joists

STANDARD WEIGHT TABLE FOR OPEN WEB STEEL JOISTS, LH-SERIES (LOAD / LOAD)

BASED ON 50 KSI YIELD

JOIST SPAN (ft)	JOIST DEPTH (in)	LOADS SHOWN IN POUNDS PER LINEAR FOOT (plf)																				
		ASD	500	600	700	800	900	1000	1100	1200	1300	1400	1500	1600	1700	1800	1900	2000	2100	2200	2300	2400
		LRFD	750	900	1050	1200	1350	1500	1650	1800	1950	2100	2250	2400	2550	2700	2850	3000	3150	3300	3450	3600
38	20	WEIGHT	15.2	19.1	22.0	24.4	27.8	31.2	36.5	37.4	40.4	43.7	46.5	49.8	52.5	55.9	58.9	62.9	66.6	66.7	74.1	80.4
		w360	274	340	392	434	488	548	619	644	698	747	804	852	905	937	972	1030	1097	1097	1176	1293
		I _x	355	446	514	570	641	719	825	839	916	980	1055	1118	1188	1230	1276	1352	1439	1439	1545	1671
	P _{brg}	694	910	1017	1127	1325	1449	1810	1810	1810	2097	2097	2374	2374	2651	2651	3007	3007	3007	3640	3640	
	22	WEIGHT	14.2	16.4	20.1	22.2	24.5	27.8	29.9	31.6	36.8	40.3	40.6	44.1	46.7	50.1	52.7	56.1	58.8	63.2	63.3	66.6
		w360	309	360	435	481	534	601	655	684	762	845	880	922	1019	1052	1119	1159	1204	1272	1277	1359
		I _x	405	466	571	631	701	789	849	886	1017	1130	1130	1210	1302	1380	1468	1521	1580	1676	1676	1784
	24	WEIGHT	13.4	15.4	18.0	20.3	22.4	24.7	28.1	30.2	31.9	37.1	38.1	40.9	44.2	47.0	50.2	50.6	53.1	56.4	56.6	63.6
		w360	345	399	462	524	579	643	725	771	815	921	962	1042	1115	1201	1251	1273	1354	1405	1405	1551
		I _x	456	523	606	688	760	844	951	1025	1069	1229	1252	1367	1464	1576	1671	1671	1777	1844	1844	2035
	26	WEIGHT	12.5	14.6	16.8	19.1	21.8	24.7	27.2	28.4	31.8	32.1	37.3	38.3	41.2	44.4	44.7	47.7	50.8	51.0	56.8	57.0
		w360	370	438	506	595	654	763	799	860	945	969	1095	1144	1240	1328	1328	1430	1516	1516	1656	1676
		I _x	486	575	664	781	858	1002	1069	1129	1271	1271	1462	1490	1627	1743	1743	1877	1989	1989	2199	2199
	28	WEIGHT	11.9	14.3	16.0	18.2	20.5	22.6	25.1	28.5	28.7	32.1	32.3	37.6	38.6	41.3	44.6	45.1	47.6	51.1	51.3	51.7
		w360	410	499	551	640	728	804	893	996	1008	1107	1135	1285	1324	1427	1527	1559	1642	1749	1780	1780
		I _x	534	648	723	840	955	1055	1172	1323	1323	1489	1489	1715	1748	1909	2046	2046	2204	2336	2336	2336
	30	WEIGHT	12.0	15.0	16.8	18.4	20.6	25.0	25.7	26.9	29.4	30.5	32.4	35.9	37.1	37.5	43.6	44.1	44.2	47.2	50.1	50.9
		w360	474	570	635	721	822	938	1004	1083	1186	1212	1313	1403	1480	1515	1728	1772	1809	1879	2030	2066
		I _x	641	766	860	967	1108	1287	1360	1449	1594	1617	1754	1891	1988	1988	2374	2374	2374	2506	2711	2711
	32	WEIGHT	12.8	14.8	16.4	18.3	20.2	22.2	25.1	26.0	27.1	29.6	30.8	32.8	36.3	37.3	37.7	41.6	44.3	44.4	47.9	48.1
		w360	500	600	700	791	900	981	1090	1165	1252	1353	1390	1506	1617	1712	1739	1854	2035	2078	2158	2193
		I _x	714	843	945	1063	1212	1323	1475	1558	1661	1827	1854	2013	2170	2281	2281	2480	2726	2726	2878	2878
	36	WEIGHT	12.0	13.3	14.6	17.2	18.1	19.7	21.6	23.7	26.7	27.9	28.3	30.7	31.8	33.5	37.1	37.3	38.9	39.0	43.2	45.5
		w360	500	600	700	800	900	1000	1100	1200	1300	1400	1500	1600	1700	1800	1900	2000	2100	2200	2300	2400
I _x		818	936	1044	1207	1310	1481	1623	1781	1997	2129	2129	2342	2342	2584	2786	2786	2930	2930	3187	3504	
40	20	WEIGHT	16.9	20.1	23.2	27.8	30.0	32.8	40.3	40.6	46.6	46.9	50.2	53.1	59.0	63.2	66.6	67.1	80.5	80.9	81.8	
		w360	259	312	360	419	456	497	587	598	689	689	744	784	833	882	940	966	1090	1107	1090	1126
		I _x	396	465	543	641	689	752	916	916	1055	1055	1118	1188	1276	1352	1439	1439	1670	1670	1712	
	22	WEIGHT	15.2	19.1	22.0	24.4	27.7	31.0	36.3	37.4	40.2	43.6	46.3	49.7	52.5	55.6	58.7	62.6	66.4	66.5	73.5	79.8
		w360	287	357	412	458	515	578	653	681	737	790	850	901	958	993	1031	1094	1164	1164	1252	1375
		I _x	435	547	631	701	789	886	1017	1035	1130	1210	1302	1380	1468	1521	1580	1676	1784	1784	1917	2075
	24	WEIGHT	14.3	16.9	20.1	22.2	24.6	28.0	31.3	33.6	37.6	40.4	43.7	44.0	44.3	50.1	51.9	56.0	59.0	63.0	66.7	66.9
		w360	317	381	449	496	551	621	698	747	824	892	956	978	1029	1091	1160	1204	1251	1328	1414	1414
		I _x	486	584	688	760	844	951	1069	1136	1252	1367	1464	1464	1576	1671	1777	1844	1918	2035	2166	2166
	26	WEIGHT	14.0	16.5	18.5	21.5	24.5	27.9	28.2	31.7	33.8	37.1	40.7	44.0	44.3	47.1	50.2	50.6	56.3	56.7	59.5	63.9
		w360	363	429	495	560	644	712	737	830	888	938	1042	1115	1138	1225	1299	1299	1419	1435	1495	1586
		I _x	555	664	748	858	1002	1129	1271	1351	1462	1627	1743	1743	1877	1989	1989	2199	2199	2290	2429	
	28	WEIGHT	13.1	15.5	18.0	19.6	22.4	24.8	28.2	30.3	31.9	34.0	37.4	40.8	41.2	44.5	47.3	50.5	50.9	53.6	57.0	57.1
		w360	393	467	542	596	689	765	854	920	972	1042	1101	1223	1246	1336	1407	1498	1525	1623	1687	1687
		I _x	606	723	840	913	1055	1172	1323	1427	1489	1585	1715	1909	1909	2046	2204	2336	2336	2486	2585	2585
	30	WEIGHT	12.8	14.8	17.3	19.0	21.7	23.8	27.2	28.4	30.0	32.7	36.2	37.3	38.4	44.3	44.3	44.9	50.4	51.1	54.3	56.6
		w360	427	505	578	652	747	823	927	988	1039	1139	1214	1276	1324	1518	1550	1550	1739	1770	1816	1937
		I _x	653	774	895	1011	1162	1279	1449	1532	1594	1754	1891	1988	2028	2374	2374	2711	2711	2813	3003	
	32	WEIGHT	12.1	13.9	16.2	17.8	20.0	22.0	24.2	27.4	28.6	30.3	33.0	36.4	37.6	38.6	44.5	44.7	45.2	48.3	50.8	51.6
		w360	460	544	621	704	789	869	956	1072	1146	1205	1307	1385	1490	1520	1743	1780	1780	1890	2034	2034
		I _x	695	822	951	1065	1209	1332	1465	1661	1756	1827	2013	2170	2281	2328	2726	2726	2878	2878	3115	3115
	36	WEIGHT	12.9	14.9	16.9	18.6	20.4	22.4	25.4	26.5	27.7	29.3	31.2	33.2	36.5	36.8	38.0	42.2	44.6	45.2	48.2	49.0
		w360	500	600	700	800	900	1000	1100	1200	1300	1400	1500	1600	1700	1789	1900	2000	2100	2200	2300	2376
		I _x	912	1076	1207	1359	1550	1692	1890	1997	2129	2210	2379	2584	2786	2786	2930	3187	3504	3504	3700	3700
40	WEIGHT	14.8	16.2	18.2	20.3	23.0	23.3	25.7	27.4	29.9	31.7	32.9	36.4	38.4	42.3	42.7	43.2	47.3	47.4	48.5	50.7	
	w360	500	600	700	800	900	1000	1100	1200	1300	1400	1500	1600	1700	1800	1900	2000	2100	2200	2300	2400	
	I _x	1119	1301	1473	1669	1917	2012	2298	2466	2466	2777	2984	3135	3352	3860	3860	3860	4208	4208	4319	4795	

Discover the easiest way to specify steel joists and Joist Girders:



Introduction
 General Joist Information
 Economical Design Guide
 Top Chord Ext., K-Series
 Joist Substitutes & Outriggers
 KCS Joists
 Joist LRFD Load Tables
 Joist ASD Load Tables
 Load/Load Weight Tables
 Joist Girder Weight Tables
 SJI Standard Specifications
 SJI Code of Practice
 Fire Resistance Ratings
 OSHA Safety Standards

Weight Tables for Load/Load LH-Series Joists

STANDARD WEIGHT TABLE FOR OPEN WEB STEEL JOISTS, LH-SERIES (LOAD / LOAD)

BASED ON 50 KSI YIELD

JOIST SPAN (ft)	JOIST DEPTH (in)	LOADS SHOWN IN POUNDS PER LINEAR FOOT (plf)																				
		ASD	500	600	700	800	900	1000	1100	1200	1300	1400	1500	1600	1700	1800	1900	2000	2100	2200	2300	2400
		LRFD	750	900	1050	1200	1350	1500	1650	1800	1950	2100	2250	2400	2550	2700	2850	3000	3150	3300	3450	3600
42	22	WEIGHT	16.9	20.1	23.0	27.7	29.8	32.5	37.5	40.3	43.8	46.6	49.9	52.9	58.5	62.8	66.5	66.7	79.6	80.1	80.3	81.1
		w360	273	322	376	439	478	528	588	637	682	734	778	827	891	944	1005	1005	1142	1187	1169	1207
		I _x	485	571	667	789	849	926	1035	1130	1210	1302	1380	1468	1580	1676	1784	1784	2075	2075	2075	2126
	P _{brg}	732	886	990	1290	1290	1411	1762	1762	2041	2041	2311	2311	2581	2928	2928	2928	2928	3544	3544	3544	3612
	24	WEIGHT	15.8	19.3	22.2	24.6	28.0	30.1	32.8	37.7	40.6	43.9	46.8	50.2	52.9	56.2	59.2	63.2	67.0	67.2	74.2	80.5
		w360	304	371	428	476	536	585	638	711	770	825	888	941	1002	1039	1081	1146	1220	1220	1314	1441
		I _x	540	659	760	844	951	1025	1118	1252	1367	1464	1576	1671	1777	1844	1918	2035	2166	2166	2331	2527
	P _{brg}	644	844	943	1045	1228	1228	1343	1678	1678	1943	1943	2200	2200	2458	2458	2787	2787	2787	2787	3374	3374
	26	WEIGHT	14.6	17.9	20.2	22.4	24.7	28.0	31.4	36.7	37.8	40.6	43.9	46.8	50.1	50.2	53.2	56.4	59.4	63.4	67.1	67.4
		w360	324	400	460	508	564	643	716	810	846	917	982	1057	1121	1121	1192	1239	1290	1368	1457	1457
		I _x	575	718	816	902	1002	1129	1271	1462	1490	1627	1743	1877	1989	1989	2117	2199	2290	2429	2587	2587
	P _{brg}	568	733	804	899	996	1171	1281	1599	1599	1852	1852	2097	2097	2342	2342	2657	2657	2657	2657	2657	
	28	WEIGHT	14.0	16.6	19.5	21.6	24.6	28.0	30.1	31.7	37.1	28.0	40.9	44.1	44.5	47.4	50.5	53.5	56.6	57.0	59.8	64.2
		w360	366	432	515	566	660	737	794	839	950	992	1076	1153	1153	1242	1316	1401	1456	1456	1519	1611
		I _x	648	776	913	1005	1172	1323	1427	1489	1715	1748	1909	2046	2046	2204	2336	2486	2585	2585	2695	2859
	P _{brg}	542	634	767	858	950	1117	1117	1222	1526	1526	1526	1768	1768	1768	2001	2001	2235	2235	2235	2535	
	30	WEIGHT	13.7	16.3	18.0	21.3	23.5	26.8	28.1	31.3	32.6	36.8	37.2	40.6	44.1	44.2	50.0	50.2	51.0	56.3	56.5	56.8
		w360	399	482	547	645	715	801	853	948	983	1101	1135	1224	1310	1337	1501	1527	1527	1672	1692	1714
		I _x	719	865	971	1162	1279	1449	1532	1726	1754	1988	1988	2215	2374	2374	2711	2711	2711	3003	3003	3003
	P _{brg}	517	605	668	819	908	1067	1067	1167	1227	1458	1458	1458	1689	1689	1912	1912	1912	2192	2192	2135	2135
	32	WEIGHT	13.4	15.2	17.5	19.6	21.6	23.8	27.2	28.4	31.7	32.8	37.3	37.4	40.8	44.4	44.5	47.7	50.6	50.7	54.5	56.8
		w360	443	517	593	681	750	825	925	989	1101	1128	1285	1293	1433	1536	1536	1631	1754	1754	1835	1946
		I _x	793	919	1065	1209	1332	1465	1661	1756	1979	2013	2281	2281	2544	2726	2726	2878	3115	3115	3233	3453
	P _{brg}	496	537	641	703	786	871	1024	1024	1120	1177	1399	1399	1399	1399	1620	1620	1834	1834	1834	2048	
36	WEIGHT	14.3	16.1	18.0	19.9	22.0	25.2	26.1	28.6	30.6	30.9	35.9	36.3	40.8	41.0	44.4	47.5	48.1	48.2	54.2	54.3	
	w360	500	600	700	800	900	1000	1100	1200	1300	1318	1500	1544	1700	1746	1900	2000	2051	2051	2300	2318	
	I _x	990	1154	1303	1480	1692	1890	1997	2210	2379	2379	2786	2786	3115	3115	3504	3700	3700	4163	4163		
P _{brg}	581	641	703	786	871	1024	1024	1120	1177	1177	1399	1399	1620	1620	1620	1834	1834	1834	2048	2048		
40	WEIGHT	13.0	14.5	17.3	18.3	20.5	23.0	26.0	27.1	28.2	30.1	31.0	33.7	37.4	37.5	39.0	42.3	43.4	45.7	49.5	49.7	
	w360	500	600	700	800	900	1000	1100	1200	1300	1400	1500	1600	1700	1800	1900	2000	2100	2200	2300	2400	
	I _x	1084	1253	1502	1629	1843	2109	2356	2490	2655	2756	2921	3227	3480	3480	3659	3892	3984	4381	4626	4626	
P _{brg}	496	537	641	641	786	871	1024	1024	1024	1120	1177	1177	1399	1399	1399	1620	1620	1620	1834	1834		
44	22	WEIGHT	19.1	21.9	25.4	29.6	32.3	37.4	40.2	46.2	46.4	52.3	55.6	58.5	65.9	66.1	73.6	79.6	80.0	81.0	90.1	97.8
		w360	268	309	361	410	453	511	553	638	638	719	745	774	857	873	938	1032	1017	1049	1177	1210
		I _x	547	631	737	849	926	1035	1130	1302	1302	1468	1521	1580	1784	1784	1917	2075	2074	2126	2344	2540
	P _{brg}	896	1001	1109	1304	1427	1782	1782	2064	2064	2337	2610	2610	2960	2960	3583	3583	3583	3583	3626	4431	4431
	24	WEIGHT	17.0	20.1	23.2	27.8	29.9	32.6	37.6	40.4	43.8	46.7	50.0	52.8	56.2	62.8	66.3	67.0	74.0	80.0	80.5	81.5
		w360	286	337	394	460	502	554	618	669	717	772	818	870	904	996	1061	1061	1141	1255	1237	1276
		I _x	584	688	804	951	1025	1118	1252	1367	1464	1576	1671	1777	1844	2035	2166	2166	2331	2527	2527	2587
	P _{brg}	705	853	954	1243	1243	1359	1698	1698	1966	1966	2226	2226	2487	2820	2820	2820	3414	3414	3414	3479	
	26	WEIGHT	15.8	19.4	22.2	24.6	28.0	31.5	36.7	37.8	40.7	44.0	46.8	50.3	52.9	56.3	59.3	63.4	67.2	74.2	74.4	80.7
		w360	313	382	442	491	553	622	704	735	797	853	919	974	1036	1077	1121	1189	1267	1335	1364	1502
		I _x	640	781	902	1002	1129	1271	1462	1490	1627	1743	1877	1989	2117	2199	2290	2429	2587	2786	2786	3024
	P _{brg}	621	814	910	1008	1185	1297	1619	1619	1619	1743	1876	2124	2124	2372	2372	2690	2690	3256	3256		
	28	WEIGHT	15.1	18.0	20.4	23.7	27.0	30.1	31.8	37.2	38.2	41.1	44.4	47.2	50.5	50.6	56.5	56.8	63.7	63.9	67.6	74.8
		w360	341	407	468	534	610	690	729	826	863	935	1002	1079	1144	1166	1266	1266	1400	1400	1491	1618
		I _x	696	840	955	1105	1251	1427	1489	1715	1748	1909	2046	2204	2336	2336	2585	2585	2859	2859	3045	3283
	P _{brg}	593	709	777	963	1132	1132	1238	1546	1546	1546	1791	1791	2028	2028	2265	2265	2569	2569	2569	3109	
	30	WEIGHT	15.3	17.3	19.4	22.0	26.7	27.8	31.3	32.4	36.8	37.8	43.7	43.9	44.3	49.9	50.4	56.4	56.5	56.8	63.0	63.6
		w360	388	450	517	598	696	741	824	855	957	1000	1139	1162	1190	1304	1327	1453	1471	1490	1628	1628
		I _x	800	930	1056	1221	1449	1532	1726	1754	1988	2028	2374	2374	2374	2711	2711	3003	3003	3003	3325	3325
	P _{brg}	614	677	743	831	1082	1082	1183	1244	1478	1478	1712	1712	1712	1938	1938	2165	2165	2165	2455	2455	
	32	WEIGHT	14.5	17.2	18.8	21.4	23.5	27.0	28.2	31.5	32.6	37.1	38.1	44.0	44.1	44.6	50.2	50.7	56.1	56.8	57.0	63.3
		w360	417	491	560	657	717	805	860	956	986	1118	1140	1307	1335	1366	1526	1526	1670	1691	1691	1873
		I _{x</}																				

Weight Tables for Load/Load LH-Series Joists

STANDARD WEIGHT TABLE FOR OPEN WEB STEEL JOISTS, LH-SERIES (LOAD / LOAD)

BASED ON 50 KSI YIELD

JOIST SPAN (ft)	JOIST DEPTH (in)	LOADS SHOWN IN POUNDS PER LINEAR FOOT (plf)																				
		ASD	500	600	700	800	900	1000	1100	1200	1300	1400	1500	1600	1700	1800	1900	2000	2100	2200	2300	2400
		LRFD	750	900	1050	1200	1350	1500	1650	1800	1950	2100	2250	2400	2550	2700	2850	3000	3150	3300	3450	3600
46	24	WEIGHT	19.2	22.1	25.6	29.8	32.6	37.5	40.5	44.0	46.9	50.1	55.9	59.0	63.2	66.7	74.1	80.2	80.4	81.6	90.3	98.5
		w360	282	326	381	434	479	540	585	627	675	729	790	821	871	928	998	1098	1082	1116	1191	1289
		I _x	659	760	889	1025	1118	1252	1367	1464	1576	1671	1844	1918	2035	2166	2331	2527	2527	2587	2782	3096
	P _{brg}	863	964	1068	1256	1374	1716	1716	1988	1988	2251	2514	2514	2851	2851	3451	3451	3451	3517	4267	4267	
	26	WEIGHT	17.1	21.3	24.4	27.8	31.3	36.5	37.6	40.5	43.9	46.8	50.0	55.8	56.3	62.9	66.6	66.7	74.2	80.3	80.5	81.7
		w360	296	362	423	478	537	616	643	697	746	804	852	931	942	1040	1108	1108	1193	1314	1296	1334
		I _x	691	858	1002	1129	1271	1462	1490	1627	1743	1877	1989	2199	2199	2429	2587	2587	2786	3024	3024	3094
	28	WEIGHT	16.5	19.4	22.3	24.8	28.0	31.5	36.9	37.9	40.8	44.2	47.2	50.3	53.2	56.6	59.4	63.7	67.0	74.5	74.7	80.8
		w360	329	391	452	502	567	638	722	754	818	876	944	1000	1065	1107	1154	1225	1304	1375	1406	1549
		I _x	776	913	1055	1172	1323	1489	1715	1748	1909	2046	2204	2336	2486	2585	2695	2859	3045	3283	3283	3568
	30	WEIGHT	15.4	18.0	21.5	24.6	28.0	30.2	31.8	37.0	40.4	44.0	44.2	47.0	50.6	53.0	56.7	59.3	63.3	63.9	67.0	74.3
		w360	358	416	490	573	648	699	739	837	930	996	1017	1095	1161	1236	1287	1342	1424	1424	1517	1647
		I _x	835	971	1162	1357	1532	1653	1726	1988	2215	2374	2374	2557	2711	2886	3003	3133	3325	3325	3542	3821
	32	WEIGHT	14.5	17.0	19.7	22.6	25.0	28.4	31.7	32.8	37.3	40.8	44.2	44.4	47.4	50.8	51.0	57.0	57.3	63.7	63.9	67.4
		w360	384	476	518	599	666	752	837	862	977	1083	1167	1167	1258	1334	1334	1478	1478	1638	1638	1746
		I _x	888	1111	1209	1399	1555	1756	1979	2013	2281	2544	2726	2726	2937	3115	3115	3453	3453	3826	3826	4076
	36	WEIGHT	14.0	17.4	18.4	21.1	24.0	27.2	28.5	31.8	32.8	37.4	37.8	44.0	44.6	44.8	50.6	50.8	54.6	56.9	57.5	61.6
		w360	451	549	609	695	792	894	953	1060	1101	1233	1272	1443	1501	1501	1715	1715	1783	1904	1904	1981
		I _x	1050	1310	1422	1623	1876	2129	2251	2539	2584	2930	2930	3504	3504	3504	4008	4005	4163	4447	4447	4704
	40	WEIGHT	15.6	17.7	19.8	23.8	25.3	26.2	28.7	30.9	34.4	36.4	36.5	41.1	42.2	47.5	48.0	51.2	54.2	54.4	54.7	55.2
		w360	500	600	700	800	900	1000	1100	1200	1300	1400	1466	1600	1674	1800	1900	2000	2100	2200	2232	2279
		I _x	1328	1554	1764	2118	2356	2490	2756	2968	3180	3480	3480	3892	3984	4626	4626	5212	5212	5212	5212	5212
	44	WEIGHT	14.3	17.1	18.0	20.8	22.8	26.3	27.3	28.5	30.4	33.2	37.2	37.6	39.1	42.4	43.5	45.8	49.7	50.0	55.2	55.7
		w360	500	600	700	800	900	1000	1100	1200	1300	1400	1500	1600	1700	1800	1900	2000	2100	2200	2300	2400
I _x		1456	1748	1904	2245	2448	2874	3038	3239	3362	3623	4251	4251	4470	4755	4870	5356	5656	5656	6378	6378	
48	24	WEIGHT	20.0	24.4	27.7	31.2	37.3	40.3	43.7	46.5	52.4	55.8	62.7	66.1	66.6	80.0	80.1	81.1	90.1	98.2	98.5	99.3
		w360	259	318	358	403	467	515	552	594	669	695	767	816	816	966	952	981	1052	1134	1166	1166
		I _x	688	844	951	1069	1252	1367	1464	1576	1777	1844	2035	2166	2166	2527	2527	2587	2782	3096	3096	3096
	26	WEIGHT	19.3	22.2	25.8	30.0	32.9	37.7	40.7	44.2	47.1	52.8	56.1	59.2	63.3	66.9	74.4	80.5	80.7	81.9	90.7	98.9
		w360	294	340	397	453	501	566	613	657	707	797	828	863	915	974	1049	1155	1140	1174	1254	1359
		I _x	781	902	1055	1217	1329	1490	1627	1743	1877	2117	2199	2290	2429	2587	2786	3024	3024	3094	3331	3709
	28	WEIGHT	17.1	21.5	24.7	28.2	31.7	36.9	38.1	41.1	44.4	47.3	50.6	53.4	59.5	63.6	63.7	67.5	74.9	81.1	81.3	82.5
		w360	304	379	441	563	561	635	664	719	771	830	880	937	1015	1077	1147	1147	1236	1362	1345	1383
		I _x	808	1005	1172	1823	1489	1715	1748	1909	2046	2204	2336	2486	2695	2859	3045	3045	3283	3568	3568	3647
	30	WEIGHT	16.5	19.4	22.3	26.9	29.8	31.5	36.7	40.2	43.6	44.0	49.9	50.1	55.9	56.6	63.1	63.4	66.8	73.9	79.8	80.7
		w360	334	403	460	535	615	650	736	818	876	894	1004	1021	1131	1131	1253	1253	1334	1448	1566	1587
		I _x	897	1056	1221	1449	1653	1726	1988	2215	2374	2374	2711	2711	3003	3003	3325	3325	3542	3821	4157	4157
	32	WEIGHT	15.6	19.4	21.6	24.7	28.0	31.4	32.6	37.2	40.6	43.9	44.3	50.2	50.4	56.3	56.5	59.7	63.7	66.8	74.2	74.3
		w360	359	455	502	586	654	736	758	866	958	1027	1027	1173	1173	1301	1301	1357	1441	1536	1658	1658
		I _x	955	1209	1332	1555	1756	1979	2013	2281	2544	2726	2726	3115	3115	3453	3453	3605	3826	4076	4402	4402
	36	WEIGHT	15.5	17.6	20.8	22.9	26.8	28.2	31.5	32.7	37.0	37.4	44.0	44.5	47.7	50.5	50.8	54.5	56.9	61.2	63.8	64.0
		w360	436	507	603	672	786	838	933	968	1084	1119	1293	1320	1394	1509	1509	1601	1675	1743	1859	1859
		I _x	1168	1362	1623	1781	2129	2251	2539	2584	2930	2930	3504	3504	3700	4005	4005	4163	4447	4704	4936	4936
	40	WEIGHT	15.8	19.3	23.5	24.3	27.3	29.5	30.7	34.1	36.1	39.6	41.1	44.9	47.7	51.1	51.2	54.3	54.4	58.4	61.1	61.5
		w360	500	600	700	800	900	1000	1100	1168	1275	1344	1439	1535	1594	1759	1787	1940	1962	2078	2182	2182
		I _x	1436	1764	2118	2228	2579	2797	2968	3180	3480	3689	3892	4185	4626	4795	4795	5212	5212	5493	5891	5891
	44	WEIGHT	15.8	17.3	20.4	22.3	25.6	26.7	29.3	30.5	34.9	36.8	37.2	41.4	42.0	48.3	48.4	52.3	52.5	55.0	55.4	55.6
		w360	500	600	700	800	900	1000	1100	1200	1300	1400	1500	1600	1700	1800	1900	2000	2100	2200	2300	2400
		I _x	1617	1829	2148	2448	2874	3038	3362	3414	3882	4251	4251	4755	4755	5656	5656	5868	5868	6378	6378	6378
48	WEIGHT	17.3	21.1	22.7	24.8	26.4	30.8	31.9	36.2	36.5	41.5	45.4	45.9	46.4	47.5	48.2	54.6	55.6	62.8	62.7	65.4	
	w360	500	600	700	800	900	1000	1100	1200	1300	1400	1500	1600	1700	1800	1900	2000	2100	2200	2300	2400	
	I _x	1957	2410	2664	3021	3222	3819	4063	4589	4589	5112	5828	5828	5828	6178	6178	7398	7398	7844	7844	8620	

Discover the easiest way to specify steel joists and Joist Girders:

www.newmill.com/digital-tools



Introduction
 General Joist Information
 Economical Design Guide
 Top Chord Ext., K-Series
 Joist Substitutes & Outriggers
 KCS Joists
 Joist LRFD Load Tables
 Joist ASD Load Tables
 Load/Load Weight Tables
 Joist Girder Weight Tables
 SJI Standard Specifications
 SJI Code of Practice
 Fire Resistance Ratings

Weight Tables for Load/Load LH-Series Joists

STANDARD WEIGHT TABLE FOR OPEN WEB STEEL JOISTS, LH-SERIES (LOAD / LOAD)

BASED ON 50 KSI YIELD

JOIST SPAN (ft)	JOIST DEPTH (in)	LOADS SHOWN IN POUNDS PER LINEAR FOOT (plf)																					
		ASD	500	600	700	800	900	1000	1100	1200	1300	1400	1500	1600	1700	1800	1900	2000	2100	2200	2300	2400	
		LRFD	750	900	1050	1200	1350	1500	1650	1800	1950	2100	2250	2400	2550	2700	2850	3000	3150	3300	3450	3600	
50	26	WEIGHT	20.1	24.4	27.9	31.4	37.4	40.4	43.8	46.8	52.6	56.0	59.1	66.3	66.8	80.3	80.5	81.4	90.1	98.5	98.9	99.1	
		w360	272	334	376	423	491	542	580	625	705	733	777	862	862	1022	1007	1038	1109	1201	1235	1235	
		I _x	816	1002	1129	1271	1490	1627	1743	1877	2117	2199	2290	2587	2587	3024	3024	3094	3331	3709	3709	3709	
		P _{brg}	840	1040	1223	1338	1671	1671	1936	1936	2192	2448	2448	2777	2777	3361	3361	3425	4156	4156	4156	4156	
50	28	WEIGHT	19.4	22.3	25.7	30.0	32.8	37.7	40.8	44.1	47.1	52.9	56.3	59.4	63.4	67.2	74.2	80.8	81.1	81.9	91.0	99.0	
		w360	304	352	411	469	519	587	636	682	734	826	861	898	952	1014	1093	1205	1188	1223	1310	1418	
		I _x	913	1055	1234	1427	1558	1748	1909	2046	2204	2486	2585	2695	2859	3045	3283	3568	3568	3647	3931	4378	
		P _{brg}	804	898	995	1170	1280	1599	1599	1852	1852	2097	2341	2341	2656	2656	3215	3215	3215	3215	3276	3975	3975
50	30	WEIGHT	17.9	21.4	24.7	28.1	31.5	36.9	38.0	43.9	44.3	50.2	50.3	56.3	57.0	63.5	66.8	74.1	74.3	80.3	81.3	90.7	
		w360	320	387	452	510	585	651	680	774	809	888	921	1000	1014	1108	1180	1244	1307	1403	1385	1502	
		I _x	387	1162	1357	1532	1726	1988	2028	2374	2374	2711	2711	3003	3003	3325	3542	3821	3821	4157	4157	4582	
		P _{brg}	610	860	953	1120	1225	1531	1531	1773	1773	2007	2007	2242	2242	2542	2542	3078	3078	3078	3078	3805	
50	32	WEIGHT	16.7	20.3	23.7	27.2	30.3	32.0	37.2	40.7	44.1	44.6	50.5	50.7	56.6	57.4	63.8	64.1	74.5	74.7	80.7	81.7	
		w360	342	421	481	547	623	659	760	847	908	908	1037	1037	1150	1150	1274	1274	1433	1467	1596	1596	
		I _x	1026	1265	1465	1661	1896	1979	2281	2544	2726	2726	3115	3115	3453	3453	3826	3826	4402	4402	4793	4793	
		P _{brg}	609	737	913	1074	1074	1174	1467	1467	1699	1699	1923	1923	2148	2148	2436	2436	2949	2949	2949	2949	
50	36	WEIGHT	15.9	18.4	21.9	24.2	28.4	30.5	33.1	37.5	38.6	44.6	45.0	47.7	51.2	51.4	57.5	57.7	64.1	64.7	67.8	75.0	
		w360	406	474	559	625	741	800	856	959	1004	1143	1167	1258	1334	1334	1481	1481	1644	1644	1752	1955	
		I _x	1219	1422	1705	1876	2251	2432	2584	2930	2992	3504	3504	3777	4005	4005	4447	4447	4936	4936	5259	5687	
		P _{brg}	537	641	786	871	1024	1024	1177	1399	1399	1620	1620	1834	1834	2048	2048	2428	2428	2323	2323	2812	
50	40	WEIGHT	15.2	17.8	19.5	23.3	26.5	27.7	30.3	33.1	36.6	38.1	42.0	44.9	48.4	50.9	51.7	54.9	57.8	61.8	63.1	64.7	
		w360	469	543	622	730	829	875	967	1069	1156	1219	1311	1459	1656	1668	1668	1715	1855	1929	1961	2061	
		I _x	1406	1629	1843	2220	2490	2655	2971	3227	3480	3659	3984	4381	5626	5009	5009	5212	5568	5891	5891	6187	
		P _{brg}	537	641	703	871	1024	1024	1120	1177	1399	1399	1620	1620	1834	1834	1834	2048	2048	2323	2323	2323	
50	44	WEIGHT	16.3	19.6	21.4	24.8	25.8	28.8	30.3	34.6	36.6	39.9	41.2	45.3	47.7	51.3	51.5	54.6	54.7	55.3	61.4	62.8	
		w360	500	600	700	800	900	1000	1100	1200	1300	1300	1400	1500	1600	1700	1800	1900	2000	2100	2125	2300	2362
		I _x	1748	2055	2332	2717	2874	3362	3414	3882	4251	4507	4755	5116	5656	5868	5868	6378	6378	6378	7211	7211	
		P _{brg}	641	786	871	1024	1024	1120	1177	1399	1399	1620	1620	1834	1834	2048	2048	2048	2048	2048	2323	2323	2323
50	48	WEIGHT	18.7	22.2	24.5	26.1	30.0	31.1	35.1	39.3	40.5	45.4	46.0	46.6	47.6	52.6	54.8	62.4	62.6	64.9	65.5	65.8	
		w360	500	600	700	800	900	1000	1100	1200	1300	1400	1500	1600	1700	1800	1900	2000	2100	2200	2300	2400	
		I _x	2122	2540	2871	3222	3583	3819	4254	4767	5112	5828	5828	5828	6178	6628	7398	7844	7844	8620	8620	8620	
		P _{brg}	871	1024	1120	1177	1399	1399	1620	1834	1834	2048	2048	2048	2048	2048	2323	2323	2812	2812	2812	2812	
52	26	WEIGHT	22.1	25.7	30.0	36.7	40.4	43.8	46.9	52.8	56.2	63.2	66.7	74.0	80.5	80.8	81.8	91.0	99.0	99.4	100.2	109.4	
		w360	267	312	360	425	482	516	555	626	651	719	766	830	896	908	938	997	1098	1098	1187		
		I _x	902	1055	1217	1462	1627	1743	1877	2117	2199	2429	2587	2786	3024	3024	3094	3412	3709	3709	3709	4009	
		P _{brg}	948	1050	1235	1687	1687	1954	1954	2212	2470	2802	2802	3392	3392	3392	3456	4193	4193	4193	4193	4977	
52	28	WEIGHT	20.3	24.6	28.1	31.6	37.1	40.8	44.3	47.2	53.1	56.6	59.7	63.7	67.5	74.6	81.2	82.1	90.9	91.8	99.6	100.0	
		w360	283	347	391	441	505	565	605	652	736	765	846	863	901	978	1057	1087	1164	1198	1296	1296	
		I _x	955	1172	1323	1489	1715	1909	2046	2204	2486	2585	2859	3045	3283	3568	3647	3931	4024	4378	4378		
		P _{brg}	811	1005	1181	1292	1614	1614	1869	1869	2117	2364	2681	2681	2681	3245	3245	3307	4013	4013	4013		
52	30	WEIGHT	19.3	22.2	27.7	29.8	36.6	37.5	43.5	43.9	49.8	50.2	56.0	62.5	63.3	66.6	73.9	79.8	80.2	81.7	90.5	98.2	
		w360	313	361	444	483	572	604	688	719	789	818	889	967	984	1048	1132	1247	1230	1265	1355	1469	
		I _x	1056	1221	1532	1653	1988	2028	2374	2374	2711	2711	3003	3325	3325	3542	3821	4157	4157	4247	4582	5104	
		P _{brg}	777	8696	1132	1132	1546	1546	1791	1791	2027	2027	2264	2568	2568	2568	3109	3109	3109	3109	3168	3844	3844
52	32	WEIGHT	18.0	21.5	24.6	28.0	31.6	36.8	40.4	44.0	46.8	50.0	50.5	56.4	59.1	63.6	66.9	73.9	80.2	80.5	81.4	90.9	
		w360	329	394	460	519	586	675	753	807	869	921	940	1022	1067	1132	1207	1303	1419	1419	1439	1564	
		I _x	1111	1332	1555	1756	1979	2281	2544	2726	2937	3115	3115	3453	3605	3826	4076	4402	4793	4793	4893	5283	
		P _{brg}	679	833	923	1085	1187	1482	1482	1717	1717	1944	1944	2171	2171	2462	2462	2980	2980	2980	3037	3685	
52	36	WEIGHT	16.8	19.7	22.6	27.2	28.5	31.7	37.3	38.4	44.0	44.6	50.3	50.9	56.4	57.2	59.9	63.8	64.3	74.5	74.7	81.2	
		w360	388	458	530	618	666	752	852	892	1016	1037	1165	1186	1316	1316	1375	1461	1461	1645	1682	1858	
		I _x	1311	1547	1791	2129	2251	2539	2930	2992	3504	3504	4005	4005	4447	4447	4650	4936	4936	5687	5687	6202	
		P _{brg}	581	703	786	1024	1024	1120	1399	1399	1620	1620	1834	1834	2048	2048	2048	2323	2323	2812	2812	2812	
52	40	WEIGHT	17.0	18.7	21.2	26.1	27.3	29.9	32.7	36.2	37.6	44.1	44.6	47.8	50.7	54.5	54.7	57.5	61.6	64.2	64.5	75.3	
		w360	453	522	598	723	777	854	938	1013	1083	1246	1297	1347	1483	1524	1575	1648	1744	1831	1831	2064	
		I _x	1564	1763	2021	2490	2655	2921	3227	3480	3659	4381	4381	4626	5009	5212	5212	5568	5891	6187	6187	7139	
		P _{brg}	553	703	786	1024	1024	1120	1399	1399	1620	1620	1834	1834	2048	2048	2048	2323	2323	2323	2323	2812	
52	44	WEIGHT	17.3	21.0	23.9	25.6	28.5	29.9	34.3	39.3	39.7	44.2	45.3	50.7	51.3	53.7	54.4	58.5	61.2	61.4	69.7	71.1	
		w360	500	600	700	800	900	984	1100	1200	1290	1400	1474	1600	1700	1800	1865	1959	2099	2099	2242	2365	
		I _x																					

Weight Tables for Load/Load LH-Series Joists

STANDARD WEIGHT TABLE FOR OPEN WEB STEEL JOISTS, LH-SERIES (LOAD / LOAD)

BASED ON 50 KSI YIELD

JOIST SPAN (ft)	JOIST DEPTH (in)	LOADS SHOWN IN POUNDS PER LINEAR FOOT (plf)																				
		ASD	500	600	700	800	900	1000	1100	1200	1300	1400	1500	1600	1700	1800	1900	2000	2100	2200	2300	2400
		LRFD	750	900	1050	1200	1350	1500	1650	1800	1950	2100	2250	2400	2550	2700	2850	3000	3150	3300	3450	3600
54	28	WEIGHT	22.1	25.8	30.1	36.8	40.5	43.9	47.0	50.3	56.2	63.0	66.8	73.9	80.3	81.0	81.9	91.1	99.2	99.4	99.8	109.6
		w360	279	326	372	446	504	541	582	629	683	755	804	848	942	955	986	1049	1156	1140	1156	1251
		I _x	1055	1234	1427	1715	1909	2046	2204	2336	2585	2859	3045	3283	3568	3568	3647	4024	4378	4378	4378	4735
	P _{brg}	915	1014	1192	1628	1628	1886	1886	2135	2385	2705	2705	3274	3274	3274	3337	4048	4048	4048	4048	4805	
	30	WEIGHT	212.0	24.4	27.8	31.3	36.3	40.3	43.8	49.6	52.6	55.7	62.5	63.2	73.4	73.6	79.8	80.8	90.4	91.1	98.4	98.6
		w360	302	358	405	456	523	585	627	704	763	793	878	896	987	1016	1098	1129	1210	1210	1348	1348
		I _x	1162	1357	1532	1726	1988	2215	2374	2711	2886	3003	3325	3325	3821	3821	4157	4247	4582	4686	5104	5104
	32	WEIGHT	19.4	22.3	27.8	31.3	33.7	37.7	43.6	44.0	50.0	52.8	56.1	62.9	63.5	67.0	74.0	80.1	80.4	81.6	91.0	98.7
		w360	319	369	459	516	603	615	705	737	823	876	912	992	1010	1077	1163	1266	1266	1324	1395	1544
		I _x	1209	1399	1756	1979	2281	2328	2726	2726	3115	3315	3453	3826	3826	4076	4402	4793	4793	4893	5283	5887
	36	WEIGHT	18.0	21.6	24.7	28.1	31.5	36.9	37.9	40.9	44.4	50.3	50.5	56.3	56.5	63.5	63.8	67.3	74.3	80.3	81.1	81.4
		w360	376	444	526	588	654	761	796	864	926	1040	1058	1160	1175	1281	1304	1389	1502	1605	1639	1658
		I _x	1422	1705	1991	2251	2539	2930	2992	3269	3504	4005	4005	4447	4447	4936	4936	5259	5687	6202	6202	6202
	40	WEIGHT	17.3	20.2	25.0	27.0	29.6	32.4	36.1	37.5	44.0	44.3	47.8	50.6	53.8	56.8	57.1	63.4	64.1	71.1	74.4	75.5
		w360	426	510	604	687	762	837	904	966	1112	1157	1202	1323	1377	1471	1471	1634	1634	1754	1886	1896
		I _x	1629	1931	2356	2655	2921	3227	3480	3659	4381	4381	4626	5009	5212	5568	5568	6187	6187	6660	7139	7139
	44	WEIGHT	16.7	19.2	21.5	26.6	27.7	30.6	33.3	36.9	38.4	42.7	45.1	48.7	49.0	55.1	55.3	58.2	63.3	63.6	72.6	72.9
		w360	480	561	650	787	846	930	1022	1104	1181	1270	1415	1470	1494	1664	1685	1800	1905	1935	2111	2111
		I _x	1838	2148	2463	3038	3239	3564	3941	4251	4470	4870	5356	5656	5656	6378	6378	6815	7211	7211	8168	8168
	48	WEIGHT	18.1	21.4	24.2	25.8	28.3	30.2	34.7	36.7	39.9	41.4	45.5	51.3	51.6	52.3	54.7	59.2	59.4	63.0	71.1	72.5
		w360	500	600	700	800	900	1000	1100	1200	1300	1400	1500	1600	1700	1800	1900	2000	2100	2200	2300	2400
		I _x	2264	2664	3092	3444	3770	4093	4654	5099	5407	5704	6141	7049	7049	7049	7663	8079	8079	8666	9297	9832
	52	WEIGHT	21.5	22.9	25.8	30.2	31.1	35.3	39.5	43.6	45.6	46.2	47.6	51.5	52.6	61.6	62.6	62.8	65.7	65.8	67.3	79.9
		w360	500	600	700	800	900	1000	1100	1200	1300	1400	1500	1600	1700	1800	1900	2000	2100	2200	2300	2400
I _x		2712	3141	3604	4230	4509	5024	5630	6200	6891	6891	7305	7618	7841	9285	9285	9285	10205	10205	10205	11890	
56	28	WEIGHT	23.3	27.8	31.4	37.5	40.6	46.7	50.1	56.0	63.0	66.6	73.8	80.3	80.6	82.0	91.2	99.0	99.5	109.0	117.8	
		w360	273	313	352	417	452	522	553	612	688	721	782	856	844	870	979	1021	1037	1121	1221	
		I _x	1116	1323	1489	1748	1909	2204	2336	2585	2859	3045	3283	3568	3568	3647	4024	4378	4378	4378	4735	
	30	WEIGHT	22.1	27.7	31.2	36.6	40.3	43.8	46.7	52.5	55.9	62.9	66.7	73.8	79.8	80.2	81.4	91.2	98.7	98.9	99.3	109.1
		w360	299	355	398	463	515	562	605	683	711	787	838	884	984	998	1029	1095	1208	1181	1208	1307
		I _x	1221	1532	1726	1988	2215	2374	2557	2886	3003	3325	3542	3821	4157	4157	4247	4686	5104	5104	5104	5522
	32	WEIGHT	21.4	24.7	30.0	31.8	37.8	40.9	44.2	50.1	53.1	56.4	63.2	67.1	67.4	80.1	80.7	81.6	90.6	90.9	99.3	99.6
		w360	326	368	443	469	551	602	645	724	785	817	906	964	988	1135	1135	1187	1251	1394	1394	
		I _x	1332	1555	1896	1979	2328	2544	2726	3115	3315	3453	3826	4076	4076	4793	4793	4893	5283	5887	5887	
	36	WEIGHT	19.6	22.7	27.3	28.5	32.9	37.4	41.1	44.6	50.2	50.7	56.6	56.9	63.9	64.2	74.6	74.9	80.8	81.9	91.4	91.7
		w360	378	438	494	539	609	682	774	830	932	948	1039	1053	1169	1169	1346	1354	1469	1486	1620	
		I _x	1547	1791	2129	2251	2584	2930	3269	3504	4005	4005	4447	4447	4936	4936	5687	5687	6202	6202	6839	
	40	WEIGHT	18.0	21.9	24.1	28.5	31.9	33.2	38.0	41.2	44.8	45.3	51.2	54.5	57.6	57.7	64.2	64.9	74.9	76.0	81.6	81.9
		w360	401	495	553	657	732	769	866	948	1037	1037	1186	1219	1318	1318	1465	1465	1694	1700	1845	
		I _x	1696	2124	2338	2807	3169	3227	3659	4086	4381	4381	5009	5212	5568	5568	6187	6187	7139	7139	7795	
	44	WEIGHT	17.7	20.8	23.3	26.4	28.6	32.8	36.3	37.8	42.1	44.8	48.0	50.9	54.8	55.1	57.9	64.4	71.5	75.5	75.7	
		w360	465	549	632	718	811	916	990	1058	1139	1268	1317	1450	1509	1542	1613	1679	1795	1892	2072	
		I _x	1984	2352	2706	3038	3425	3941	4251	4470	4870	5356	5656	6125	6378	6378	6815	7211	7582	8168	8757	
	48	WEIGHT	19.3	23.4	24.8	28.6	29.8	34.3	39.4	39.7	44.2	45.5	50.8	51.6	53.9	58.4	58.7	61.4	69.7	70.9	72.5	
		w360	500	600	700	800	900	1000	1100	1200	1300	1400	1500	1600	1700	1800	1883	2000	2100	2156	2276	
		I _x	2458	2938	3254	3825	4093	4654	5407	5407	5885	6141	7049	7049	7663	8079	8079	8666	9297	9297	9832	
	52	WEIGHT	18.4	21.8	24.9	26.5	28.8	30.8	35.1	37.0	40.7	42.2	45.8	48.6	52.6	53.0	55.2	56.0	61.4	64.6	71.7	
		w360	500	600	700	800	900	1000	1100	1200	1300	1400	1500	1600	1700	1800	1900	2000	2100	2200	2300	
		I _x	2547	3141	3648	4065	4451	4834	5496	6025	6389	6740	7259	8028	8339	8339	9067	9067	9559	10254	11009	
56	WEIGHT	21.9	24.6	26.0	30.3	34.5	35.5	39.8	44.8	45.8	46.1	47.7	52.1	52.9	62.6	62.7	62.9	65.6	67.4	68.9		
	w360	500	600	700	800	900	1000	1100	1200	1300	1400	1500	1600	1700	1800	1900	2000	2100	2200	2300		
	I _x	3158	3752	4200	4930	5489	5858	6566	7233	8043	8043	8527	8893	9155	10849	10849	10849	11925	11925	11925		

Discover the easiest way to specify steel joists and Joist Girders:



Introduction
 General Joist Information
 Economical Design Guide
 Top Chord Ext., K-Series
 Joist Substitutes & Outriggers
 KCS Joists
 Joist LRFD Load Tables
 Joist ASD Load Tables
 Load/Load Weight Tables
 Joist Girder Weight Tables
 SJI Standard Specifications
 SJI Code of Stand. Practice
 Fire Resistance Ratings
 OSHA Safety Standards

Weight Tables for Load/Load LH-Series Joists

STANDARD WEIGHT TABLE FOR OPEN WEB STEEL JOISTS, LH-SERIES (LOAD / LOAD)

BASED ON 50 KSI YIELD

JOIST SPAN (ft)	JOIST DEPTH (in)	LOADS SHOWN IN POUNDS PER LINEAR FOOT (plf)																						
		ASD	500	600	700	800	900	1000	1100	1200	1300	1400	1500	1600	1700	1800	1900	2000	2100	2200	2300	2400		
		LRFD	750	900	1050	1200	1350	1500	1650	1800	1950	2100	2250	2400	2550	2700	2850	3000	3150	3300	3450	3600		
58	30	WEIGHT	23.1	27.8	31.3	37.4	40.3	46.5	49.9	55.8	62.3	66.1	73.7	79.7	80.3	81.1	90.5	98.5	98.8	99.1	116.5	116.8		
		w360	284	326	368	435	472	545	577	640	708	754	819	897	885	911	1026	1057	1087	1087	1281	1281		
		I _x	1292	1532	1726	2028	2215	2557	2711	3003	3325	3542	3821	4157	4157	4247	4686	5104	5104	5104	6016	6016		
	P _{brg}	892	1161	1270	1587	1587	1838	2081	2324	2636	2636	3190	3190	3190	3251	3945	3945	3945	3945	4682	4682			
	WEIGHT	22.2	27.0	31.4	36.7	40.4	43.8	46.9	52.6	56.1	63.0	66.4	73.9	80.0	80.5	81.5	90.8	98.9	99.1	99.4	108.8			
	w360	308	378	415	486	542	581	625	706	735	815	868	938	1021	1021	1067	1182	1254	1254	1253	1357			
	I _x	1399	1756	1979	2281	2544	2726	2937	3315	3453	3826	4076	4402	4793	4793	4893	5400	5887	5887	5887	6370			
	P _{brg}	856	1115	1219	1523	1523	1764	1764	1997	2230	2530	2530	3062	3062	3062	3062	3786	3786	3786	3786	4494			
	WEIGHT	19.6	23.8	28.2	31.6	36.9	40.6	44.1	47.0	50.4	56.0	56.6	63.7	63.9	74.1	74.6	80.6	82.3	91.1	91.3	99.1			
	w360	341	401	474	541	613	683	747	805	853	935	947	1052	1073	1218	1244	1377	1381	1432	1457	1579			
	I _x	1547	1876	2251	2539	2930	3269	3504	3777	4005	4447	4447	4936	4936	5687	5687	6202	6325	6839	6839	7624			
	P _{brg}	707	875	1029	1126	1406	1406	1629	1629	1844	2060	2060	2336	2336	2828	2828	2828	2828	2828	3497	3497			
	WEIGHT	19.2	21.9	27.1	28.5	32.0	37.4	38.5	44.5	45.1	50.6	54.1	57.2	57.5	63.9	67.5	74.6	74.9	81.4	81.7	91.1			
	w360	406	468	554	598	675	766	802	933	933	1007	1097	1186	1203	1318	1405	1529	1562	1680	1680	1799			
	I _x	1843	2124	2655	2807	3169	3659	3739	4381	4381	5069	5212	5568	5568	6187	6594	7139	7139	7795	7795	8598			
	P _{brg}	703	786	1024	1024	1120	1399	1399	1620	1620	1834	2048	2048	2048	2323	2323	2812	2812	2812	2812	3477			
	WEIGHT	18.6	22.2	26.0	27.3	30.0	32.9	37.5	41.7	44.3	47.8	50.6	53.9	57.1	57.7	61.7	64.3	71.5	75.4	75.7	81.1			
	w360	452	533	635	682	750	845	952	1024	1141	1185	1305	1342	1452	1452	1536	1615	1740	1875	1919	2062			
	I _x	2148	2568	3038	3239	3564	3941	4470	4870	5356	5656	6125	6378	6815	6815	7211	7582	8168	8757	8757	9572			
	P _{brg}	703	871	1024	1024	1120	1177	1399	1620	1620	1834	1834	2048	2048	2048	2323	2323	2812	2812	2812	3477			
	WEIGHT	23.1	24.0	26.9	28.8	34.1	39.1	39.6	43.9	48.0	50.8	51.3	53.8	58.5	58.7	68.4	68.5	71.1	71.6	75.4	75.8			
	w360	500	600	700	788	900	1000	1100	1200	1300	1400	1461	1600	1694	1694	1900	1908	2019	2048	2200	2257			
	I _x	2796	3092	3560	3825	4654	5407	5407	5985	6347	7049	7049	7663	8079	8079	9297	9297	9832	9832	10541	10541			
	P _{brg}	1024	1024	1120	1177	1399	1620	1620	1834	2048	2048	2048	2323	2323	2323	2812	2812	2812	2812	2812	3477			
WEIGHT	19.4	23.9	25.2	28.2	30.4	34.6	36.5	40.1	44.5	45.7	51.3	51.6	52.6	55.1	59.6	63.3	71.1	71.4	72.6	72.9				
w360	500	600	700	800	900	1000	1100	1200	1300	1400	1500	1600	1700	1800	1900	2000	2100	2200	2300	2400				
I _x	2774	3466	3839	4451	4834	5496	6025	6389	7072	7259	8339	8339	8339	9067	9559	10254	11009	11009	11650	11650				
P _{brg}	786	1024	1024	1120	1177	1399	1399	1620	1834	1834	2048	2048	2048	2048	2323	2323	2812	2812	2812	3477				
WEIGHT	22.3	25.8	29.7	30.6	35.2	39.6	43.9	45.8	46.1	51.4	51.5	51.7	62.5	62.8	65.3	65.9	76.6	80.1	80.2	80.4				
w360	500	600	700	800	900	1000	1100	1200	1300	1400	1500	1600	1700	1800	1900	2000	2100	2200	2300	2400				
I _x	3310	3985	4660	4930	5858	6566	7233	8043	8043	8893	8893	10849	10849	10849	11925	11925	12804	13897	13897	13897				
P _{brg}	1024	1177	1399	1399	1620	1834	2048	2048	2048	2323	2323	2812	2812	2812	2812	2812	3477	3477	3477	3477				
60	30	WEIGHT	24.4	29.7	36.4	40.0	46.2	49.6	52.6	58.6	66.1	73.6	79.7	80.0	89.7	98.7	98.9	108.3	116.0	116.9	117.3			
		w360	270	329	376	426	492	522	555	603	681	739	810	810	881	954	982	982	1061	1157	1157			
		I _x	1357	1653	1988	2215	2557	2711	2886	3133	3542	3821	4157	4157	4582	5104	5104	5104	5522	6016	6016	6016		
	P _{brg}	995	1170	1599	1599	1852	2097	2097	2341	2656	3215	3215	3215	3975	3975	3975	3975	4717	4717	4717	4717			
	WEIGHT	23.1	27.8	31.4	37.5	40.6	46.6	49.9	55.8	62.7	66.4	73.9	80.0	80.3	81.6	90.8	99.0	99.3	99.6	116.3	117.2			
	w360	294	338	381	448	489	565	599	663	736	784	847	922	922	964	1067	1132	1132	1161	1336	1336			
	I _x	1480	1756	1979	2328	2544	2937	3115	3453	3826	4076	4402	4793	4793	4893	5400	5887	5887	5887	6942	6942			
	P _{brg}	863	1124	1229	1535	1535	1778	2013	2248	2550	2550	3087	3087	3087	3145	3816	3816	3816	3816	4529	4529			
	WEIGHT	21.6	24.7	29.8	35.4	37.7	43.8	44.2	50.1	55.9	56.5	63.1	66.9	73.9	80.1	80.4	81.5	90.9	98.8	99.0	100.0			
	w360	339	396	484	522	579	660	690	770	845	855	949	1012	1094	1208	1193	1224	1315	1425	1466	1466			
	I _x	1705	1991	2432	2786	2992	3504	3504	4005	4447	4447	4936	5259	5687	6202	6202	6325	6839	7624	7624	7624			
	P _{brg}	797	883	1038	1418	1418	1643	1643	1860	2077	2077	2356	2356	2852	2852	2852	2907	3527	3527	3527	3527			
	WEIGHT	19.7	23.8	28.1	31.6	37.1	38.1	44.1	44.6	50.5	51.1	56.6	59.8	63.9	67.0	74.5	80.3	81.4	82.3	91.1	91.7			
	w360	383	465	634	694	682	724	826	843	963	963	1071	1121	1190	1268	1374	1517	1499	1537	1653	1664			
	I _x	1926	2338	2807	3169	3659	3739	4381	4381	5009	5009	5568	5829	6187	6594	7139	7795	7795	7943	8598	8771			
	P _{brg}	703	871	1024	1120	1399	1399	1620	1620	1834	1834	2048	2048	2323	2323	2812	2812	2812	2812	2866	3477	3477		
	WEIGHT	20.2	25.1	27.1	30.6	32.6	36.3	40.7	44.3	47.9	53.3	53.8	56.9	57.3	63.6	64.2	74.4	74.7	75.7	81.3	90.7			
	w360	441	536	610	685	744	815	910	1030	1070	1212	1212	1311	1311	1458	1458	1693	1685	1693	1841	1994			
	I _x	2352	2874	3239	3623	3941	4251	4755	5356	5656	6378	6378	6815	6815	7582	7582	8757	8757	8757	9572	10560			
	P _{brg}	786	1024	1024	1177	1177	1399	1620	1620	1834	2048	2048	2048	2048	2323	2323	2812	2812	28					

Design Guide Weight Table for Joist Girders

JOIST GIRDER STANDARD WEIGHTS																				
PANEL POINT LOAD (kips)		ASD	4	6	8	10	12	14	16	18	20	24	28	32	36	40	44	48	52	56
		LRFD	6	9	12	15	18	21	24	27	30	36	42	48	54	60	66	72	78	84
GIRDER SPAN (ft)	JOIST SPACES (ft)	GIRDER DEPTH (in)	JOIST GIRDER WEIGHT - POUNDS PER LINEAR FOOT (plf)																	
			20	2 spaces @ 10.00'	20	16	19	19	19	19	20	24	24	25	30	37	41	46	50	56
24	16	19			19	19	19	20	21	21	25	28	32	36	41	42	49	52	53	66
28	16	19			19	19	19	20	20	21	23	26	28	32	39	40	42	46	48	49
3 spaces @ 6.67'	20	15		15	19	19	20	23	24	27	31	36	44	48	54	74	75	81	84	89
	24	15		16	16	16	19	20	23	26	27	33	36	45	47	53	56	68	79	82
	28	15		16	16	16	17	20	24	24	26	31	36	44	46	49	53	57	68	80
4 spaces @ 5.00'	20	15		15	19	21	25	29	33	38	41	50	57	65	71	88	97	100	107	120
	24	15		16	17	20	23	26	29	32	35	44	50	55	62	71	85	90	100	102
	28	16		16	17	19	22	25	28	30	34	39	49	50	59	63	72	86	91	91
5 spaces @ 4.00'	20	15		17	21	26	31	36	39	48	51	62	71	82	99	99	109	120	141	142
	24	16		16	20	23	26	30	35	39	43	53	60	68	80	91	101	103	110	120
	28	16		16	18	22	27	28	33	37	39	48	55	64	68	77	93	95	107	111
6 spaces @ 3.33'	20	16		19	25	29	36	41	50	57	58	72	82	99	107	118	138	141		
	24	16		18	22	28	31	37	43	46	53	61	70	85	102	102	111	123	144	147
	28	17		18	22	26	30	33	40	42	47	58	68	76	83	96	109	112	119	130
8 spaces @ 2.50'	20	19		25	32	41	51	58	65	72	82	99	118	139	142					
	24	17		22	29	36	42	50	54	61	69	86	103	107	128	149	153			
	28	18		22	29	34	40	47	54	61	67	76	88	107	112	124	135	155	166	
22	2 spaces @ 11.00'	20	21	21	21	22	22	23	24	24	25	34	39	43	49	55	62	69	76	78
		24	18	21	21	22	22	22	23	24	24	30	33	41	41	45	51	55	61	73
		28	18	21	21	21	22	22	22	23	24	37	30	33	41	42	46	48	51	58
	3 spaces @ 7.33'	20	15	18	18	19	22	24	26	29	33	42	45	53	68	70	76	84	88	94
		24	15	15	19	19	20	23	24	26	30	35	40	45	48	55	61	74	81	84
		28	15	16	16	16	19	20	23	24	27	32	36	45	47	52	54	59	74	82
	4 spaces @ 5.50'	20	15	16	19	23	26	30	36	39	44	55	62	71	82	95	96	106	119	134
		24	15	15	17	20	25	27	29	34	38	48	52	58	71	79	89	98	101	107
		28	16	16	16	19	22	25	28	32	35	40	49	54	60	72	79	87	90	97
	5 spaces @ 4.40'	20	15	17	24	27	34	38	42	49	55	65	75	96	98	111	126	137		
		24	16	16	20	24	28	33	38	40	48	56	62	73	85	100	101	110	116	133
		28	16	16	18	22	26	30	32	38	41	51	57	65	73	86	92	102	105	111
	6 spaces @ 3.67'	20	16	21	27	33	39	49	56	57	65	79	97	106	118	137				
		24	16	19	23	28	32	39	45	51	58	66	82	98	101	109	120	142	144	
		28	16	18	22	26	30	34	39	44	50	61	70	76	89	102	104	113	127	148
	8 spaces @ 2.75'	20	19	27	36	43	56	64	71	80	96	106	135	138						
		24	18	24	31	38	46	53	60	68	75	101	105	125	145	149				
		28	18	22	28	34	40	47	54	62	69	79	87	106	118	131	152	164		



Introduction
 General Joist Information
 Economical Design Guide
 Top Chord Ext., K-Series
 Joist Substitutes & Outriggers
 KCS Joists
 Joist LRFD Load Tables
 Joist ASD Load Tables
 Load/Weight Tables
 Joist Girder Weight Tables
 SJI Standard Specifications
 SJI Code of Stand. Practice
 Fire Resistance Ratings
 OSHA Safety Standards

Design Guide Weight Table for Joist Girders

JOIST GIRDER STANDARD WEIGHTS

PANEL POINT LOAD (kips)		ASD	4	6	8	10	12	14	16	18	20	24	28	32	36	40	44	48	52	56	
		LRFD	6	9	12	15	18	21	24	27	30	36	42	48	54	60	66	72	78	84	
GIRDER SPAN (ft)	JOIST SPACES (ft)	GIRDER DEPTH (in)	JOIST GIRDER WEIGHT - POUNDS PER LINEAR FOOT (plf)																		
			25	3 spaces @ 8.33'	20	18	18	19	22	26	27	30	37	41	49	59	66	70	76	86	89
24	15	18			19	20	22	25	26	28	32	39	43	51	59	67	71	81	84	89	
28	15	15			19	19	20	23	24	27	29	34	39	45	47	55	59	67	81	82	
32	15	16			16	16	20	21	23	24	27	32	36	44	46	52	54	58	74	81	
4 spaces @ 6.25'	20	15		18	20	25	29	35	39	42	49	55	70	78	93	99	109	119	134	135	
	24	15		16	19	21	26	29	33	37	40	50	57	64	72	88	97	100	106	120	
	28	15		15	17	20	24	25	29	34	37	43	51	58	66	72	89	90	101	102	
	32	16		16	17	19	21	25	28	32	35	40	49	54	60	69	79	86	91	96	
5 spaces @ 5.00'	20	15		18	25	31	38	43	51	55	58	73	93	100	109	125	134				
	24	15		17	23	26	32	36	42	47	53	61	75	81	98	102	112	129	140		
	28	16		16	20	24	28	31	37	41	47	56	62	72	79	93	101	106	117	125	
	32	16		16	19	23	26	30	33	38	41	51	57	65	73	83	93	102	105	111	
6 spaces @ 4.17'	20	16		24	29	38	45	55	58	69	78	94	104	116	134						
	24	16		20	25	31	37	44	50	56	64	75	97	99	107	118	138				
	28	16		18	23	28	32	38	44	51	55	67	73	87	101	104	120	134	143	145	
	32	16		18	22	26	30	34	39	44	50	61	69	77	89	102	105	113	127	148	
8 spaces @ 3.12'	20	21		29	39	48	58	70	78	94	99	115	134								
	24	19		26	33	41	50	57	65	75	81	99	118	138							
	28	18		23	30	38	44	53	60	67	75	86	103	116	127	147					
	32	18		24	28	34	39	47	54	65	71	78	87	105	117	129	152	154			
10 spaces @ 2.50'	20	26	38	49	63	78	94	100	115	134											
	24	23	33	42	54	65	75	89	99	104	130										
	28	21	30	38	48	56	64	74	84	101	109	134	147								
	32	21	28	36	43	52	62	69	76	87	107	118	130	153							
28	3 spaces @ 9.33'	24	18	18	19	22	24	27	29	36	39	43	53	62	70	71	78	85	89	98	
		28	18	18	19	20	22	25	26	28	31	39	43	46	55	61	66	76	83	86	
		32	15	18	19	19	21	23	24	27	28	34	39	45	48	53	58	66	80	81	
	4 spaces @ 7.00'	24	15	16	20	24	27	32	38	40	48	55	62	71	82	95	104	106	120	135	
		28	15	15	18	21	25	28	32	36	39	49	56	64	71	79	96	97	106	107	
		32	15	15	17	20	23	25	29	33	37	43	50	58	62	70	85	90	99	102	
	5 spaces @ 5.60'	24	15	18	24	29	34	39	46	52	58	66	78	96	102	111	126	136			
		28	15	17	21	26	30	35	39	46	50	61	68	77	90	99	107	114	130	142	
	6 spaces @ 4.67'	24	16	21	28	35	41	49	55	63	70	79	96	106	134	137					
		28	15	20	24	30	36	42	50	54	58	71	82	99	107	118	138	142			
		32	16	19	23	28	32	37	43	49	53	64	74	84	101	102	111	123	144	146	
	7 spaces @ 4.00'	24	18	24	32	41	49	56	64	74	79	96	110	135							
		28	17	22	27	35	43	51	57	62	69	82	99	108	129	140					
		32	16	21	27	31	38	44	52	55	63	74	85	102	108	123	143	146			
	8 spaces @ 3.50'	24	20	28	37	48	55	64	74	79	95	105	134								
		28	18	25	32	39	50	58	65	72	81	99	108	129	141						
	10 spaces @ 2.80'	24	17	24	29	38	43	53	60	64	70	86	103	113	127	147	149				
		28	24	36	46	57	70	79	96	102	117	137									
		32	23	30	41	50	60	69	82	99	100	120	141								



Discover the easiest way to specify steel joists and Joist Girders:

www.newmill.com/digital-tools

Introduction
General Joist Information
Economic Design Guide
Top Chord Ext., K-Series
Joist Substitutes & Outriggers
KCS Joists
Joist LRFD Load Tables
Joist ASD Load Tables
Load/Load Weight Tables
Joist Girder Weight Tables
SJI Standard Specifications
SJI Code of Stand. Practice
Fire Resistance Ratings
OSHA Safety Standards

Design Guide Weight Table for Joist Girders

JOIST GIRDER STANDARD WEIGHTS																				
PANEL POINT LOAD (kips)		ASD	4	6	8	10	12	14	16	18	20	24	28	32	36	40	44	48	52	56
		LRFD	6	9	12	15	18	21	24	27	30	36	42	48	54	60	66	72	78	84
GIRDER SPAN (ft)	JOIST SPACES (ft)	GIRDER DEPTH (in)	JOIST GIRDER WEIGHT - POUNDS PER LINEAR FOOT (plf)																	
			30	3 spaces @ 10.00'	24	18	18	21	24	27	31	35	38	40	48	58	66	71	80	92
28	18	18			19	22	25	27	30	35	37	42	49	56	63	70	79	82	93	99
32	18	18			19	20	22	26	28	31	32	39	46	51	57	64	71	73	83	84
36	16	19			19	19	21	23	26	28	31	35	39	46	52	57	64	65	73	75
4 spaces @ 7.50'	24	16		18	23	29	33	37	42	49	53	64	76	85	101	104	126	127	149	150
	28	15		16	21	25	30	33	37	42	45	53	61	73	81	86	103	104	126	128
	32	15		16	18	22	26	30	34	37	43	51	55	62	70	77	87	103	105	116
	36	16		16	17	22	24	27	31	34	36	46	52	59	64	74	78	88	91	105
5 spaces @ 6.00'	24	15		19	25	30	37	43	51	55	58	73	86	96	109	125	134			
	28	15		17	23	27	32	37	44	47	53	61	75	88	97	102	112	128	138	
	32	16		17	21	24	29	35	39	43	48	56	63	77	90	100	101	107	117	133
	36	16		17	20	24	27	31	36	40	43	51	60	70	80	86	94	103	110	118
6 spaces @ 5.00'	24	16		24	29	37	45	52	58	66	73	94	104	116	134					
	28	16		20	27	32	38	44	50	57	65	75	97	99	107	137	140			
	32	16		19	24	29	34	40	45	51	58	65	82	98	100	109	121	142	144	
	36	16		18	23	26	31	37	41	46	52	61	70	84	101	102	111	123	126	148
8 spaces @ 3.75'	24	21		32	40	51	63	73	83	99	111	124	146							
	28	20		30	37	44	53	61	73	80	86	114	126	149						
	32	18		26	34	42	49	55	63	71	79	104	117	130	154	161				
	36	17		23	32	39	46	54	61	69	76	89	108	121	134	154	169			
10 spaces @ 3.00'	24	25		38	51	66	78	99	111	123	134									
	28	24		36	47	57	69	80	94	113	116	138								
	32	22		31	39	52	58	74	82	95	105	129	142							
	36	22		30	39	48	54	68	79	84	91	119	132	151						
32	3 spaces @ 10.67'	24	18	19	21	26	27	34	38	40	42	54	61	70	75	84	88	102	102	113
		28	16	17	18	24	26	28	31	34	37	43	55	60	69	70	76	85	89	93
		32	17	17	18	21	25	26	28	32	34	39	44	54	61	62	67	77	80	86
		36	15	17	19	20	23	25	26	28	30	38	40	45	51	53	58	67	81	77
	4 spaces @ 8.00'	24	18	19	23	26	32	37	40	47	55	61	72	86	94	103	114	133	134	
		28	15	18	20	24	28	32	37	40	45	55	62	70	78	94	96	105	121	135
		32	15	15	20	22	25	29	32	36	39	49	56	64	71	83	82	97	102	107
		36	15	16	17	21	24	26	30	34	36	43	50	58	65	70	85	90	99	102
	5 spaces @ 6.40'	24	15	20	27	33	39	44	51	57	65	77	93	100	123	133				
		28	15	18	24	28	34	39	46	52	58	66	74	96	101	110	126	137		
		32	15	17	22	26	32	35	41	46	53	61	68	77	90	99	105	114	130	142
		36	16	17	21	24	27	33	37	42	47	56	62	70	79	93	102	106	117	120
	6 spaces @ 5.33'	24	17	24	31	39	47	55	61	69	76	94	103	133	134					
		28	16	21	27	35	40	48	55	60	67	79	96	105	117	137				
		32	16	20	25	30	36	42	50	54	58	71	82	99	103	118	139	142		
		36	16	19	24	28	34	38	44	49	55	66	73	84	101	102	111	123	144	146
	8 spaces @ 4.00'	24	22	32	40	54	61	72	86	93	103	133								
		28	19	27	35	45	55	63	70	80	95	105	134	137						
		32	18	25	32	39	50	58	65	71	81	99	109	120	141					
		36	18	24	31	38	43	53	59	67	71	86	103	113	127	147				



Introduction
 General Joist Information
 Economical Design Guide
 Top Chord Ext., K-Series
 Joist Substitutes & Outriggers
 KCS Joists
 Joist LRFD Load Tables
 Joist ASD Load Tables
 Load/Weight Tables
 Joist Girder Weight Tables
 SJI Standard Specifications
 SJI Code of Stand. Practice
 Fire Resistance Ratings
 OSHA Safety Standards

Design Guide Weight Table for Joist Girders

JOIST GIRDER STANDARD WEIGHTS																					
PANEL POINT LOAD (kips)		ASD	4	6	8	10	12	14	16	18	20	24	28	32	36	40	44	48	52	56	
		LRFD	6	9	12	15	18	21	24	27	30	36	42	48	54	60	66	72	78	84	
GIRDER SPAN (ft)	JOIST SPACES (ft)	GIRDER DEPTH (in)	JOIST GIRDER WEIGHT - POUNDS PER LINEAR FOOT (plf)																		
			35	4 spaces @ 8.75'	28	16	19	23	27	31	36	41	46	52	60	74	79	94	100	111	117
32	15	18			21	24	28	33	37	39	45	53	60	73	80	92	100	106	112	127	
36	15	16			20	23	27	30	33	37	41	51	55	62	74	83	94	97	107	113	
5 spaces @ 7.00'	40	15		16	17	21	26	27	30	37	38	46	52	61	64	75	90	95	96	108	
	28	15		20	26	32	37	43	52	57	59	73	86	100	109	126	136				
	32	15		18	24	29	34	37	45	50	53	66	75	88	100	102	112	128	138		
6 spaces @ 5.83'	36	16		17	23	27	29	35	40	46	48	62	68	77	90	100	104	115	131	133	
	40	16		17	22	25	27	33	37	43	47	56	63	70	80	95	102	107	115	125	
	28	17		24	30	37	44	52	58	65	73	93	103	115	134						
7 spaces @ 5.00'	32	16		21	27	33	38	46	53	57	65	79	96	100	117	139	140				
	36	16		20	25	31	36	41	48	54	58	70	81	99	102	113	121	142	144		
	40	16		20	24	28	34	38	44	49	55	64	77	84	101	104	115	123	145	146	
8 spaces @ 4.38'	28	19		27	34	43	52	59	66	74	86	101	115	135							
	32	17		24	30	39	47	53	61	67	75	97	103	118	137						
	36	17		23	28	35	42	48	55	62	69	82	99	105	120	141	144				
38	4 spaces @ 9.50'	40		17	22	27	32	39	44	50	55	63	73	86	102	107	118	133	147		
		28		21	30	39	48	59	69	78	94	98	115	136							
		32		20	27	36	42	53	61	69	79	88	101	118	138						
	5 spaces @ 7.60'	36		19	26	32	39	48	55	62	71	77	99	109	121	141					
		40		18	24	30	37	44	54	60	65	73	86	102	113	127	147	149			
		32		16	19	21	26	31	34	39	43	48	58	67	74	87	100	101	111	127	138
	6 spaces @ 6.33'	36		15	17	21	24	28	33	35	39	44	53	60	74	75	93	97	106	112	123
		40		15	16	20	23	27	30	34	37	41	51	55	62	74	83	94	98	107	109
		44		16	16	20	22	26	28	30	35	38	46	52	58	65	75	90	95	95	108
	8 spaces @ 4.75'	32	15	20	25	31	36	42	46	52	59	70	86	96	101	111	126	137			
		36	16	20	24	28	33	38	45	47	53	64	74	89	98	103	112	129	138		
		40	16	20	23	26	31	35	40	46	48	59	70	78	91	101	105	113	117	134	
	40	4 spaces @ 10.00'	44	17	20	22	25	30	33	39	41	48	56	63	75	80	93	102	107	111	118
			32	17	24	30	35	41	49	55	62	70	86	98	105	125	136				
			36	16	21	27	33	39	47	50	57	61	75	89	100	107	118	141	142		
		5 spaces @ 8.00'	44	16	21	25	31	36	40	48	55	59	71	82	99	102	109	121	143	142	
			40	17	20	24	29	33	38	44	49	55	64	77	84	102	104	115	123	145	147
			32	20	29	38	47	56	64	74	86	95	105	135							
		6 spaces @ 6.67'	36	19	28	35	42	50	57	65	76	81	101	113	138	140					
			40	19	26	32	40	48	55	62	67	78	100	103	121	142	144				
			44	20	24	30	39	47	51	57	64	71	86	102	113	127	147	149			
		7 spaces @ 5.71'	32	17	20	23	29	32	37	41	49	50	58	70	82	84	99	116	118	130	141
			36	17	24	31	39	47	53	61	67	75	97	103	117	136					
			40	17	24	29	35	43	49	55	62	69	82	99	105	119	140				
8 spaces @ 5.00'		44	20	22	28	33	39	48	55	59	64	78	92	102	111	122	143				
		48	20	23	28	36	41	48	54	61	66	80	86	108	122	134	136	164	167		
		32	21	29	38	48	58	67	78	94	96	115	135								
10 spaces @ 4.00'		36	19	27	36	46	53	60	68	80	88	102	118	137							
		40	19	25	34	39	49	58	65	72	82	99	109	120	141						
		44	21	27	33	39	47	56	63	70	75	93	103	120	136	147					



Discover the easiest way to specify steel joists and Joist Girders:

www.newmill.com/digital-tools

Introduction
General Joist Information
Economic Design Guide
Top Chord Ext., K-Series
Joist Substitutes & Outriggers
KCS Joists
Joist LRFD Load Tables
Joist ASD Load Tables
Load/Load Weight Tables
Joist Girder Weight Tables
SJI Standard Specifications
SJI Code of Standard Practice
Fire Resistance Ratings
OSHA Safety Standards

Design Guide Weight Table for Joist Girders

JOIST GIRDER STANDARD WEIGHTS

PANEL POINT LOAD (kips)		ASD	4	6	8	10	12	14	16	18	20	24	28	32	36	40	44	48	52	56		
		LRFD	6	9	12	15	18	21	24	27	30	36	42	48	54	60	66	72	78	84		
GIRDER SPAN (ft)	JOIST SPACES (ft)	GIRDER DEPTH (in)	JOIST GIRDER WEIGHT - POUNDS PER LINEAR FOOT (plf)																			
			42	4 spaces @ 10.50'	32	16	21	25	29	34	38	43	49	53	67	74	86	99	101	112	125	134
36	16	19			22	26	32	35	39	44	47	58	67	73	87	95	101	112	118	129		
40	16	19			21	24	28	34	36	41	45	53	61	73	76	93	97	113	113	122		
44	16	19			20	23	27	31	34	38	42	51	55	62	74	84	94	97	108	109		
5 spaces @ 8.40'	32	16		22	28	35	41	45	52	57	66	74	88	100	110	125						
	36	15		21	25	31	36	42	46	52	59	70	85	96	102	111	126	137				
	40	16		21	24	28	33	39	44	51	54	64	74	89	98	103	113	129	130			
	44	16		20	24	27	31	37	40	46	52	59	69	78	91	101	105	113	126	134		
6 spaces @ 7.00'	32	18		25	32	39	45	55	61	69	77	93	103	124	135							
	36	17		23	30	35	41	49	56	60	67	79	96	105	117	137						
	40	17		21	26	33	39	46	54	57	61	75	89	100	108	119	141	142				
	44	16		21	24	31	35	41	48	54	59	71	81	100	102	109	121	143	142			
7 spaces @ 6.00'	32	20		28	36	45	52	65	72	85	93	102	125									
	36	19		26	34	40	49	56	67	74	79	98	110	127	138							
	40	18		24	31	38	46	54	61	68	75	90	101	113	129	142						
	44	20		23	29	35	41	49	55	63	70	78	100	106	116	132	145					
8 spaces @ 5.25'	32	22		32	40	51	62	72	78	94	100	124	135									
	36	20		27	38	46	56	64	74	79	96	105	126	138								
	40	20		26	35	42	51	57	65	76	81	101	113	138	141							
	44	20		25	32	39	49	55	63	70	78	99	107	121	142	147						
10 spaces @ 4.20'	32	27		38	52	62	77	94	101	114	134											
	36	25		36	46	60	70	86	97	102	112	140										
	40	24		34	45	54	64	75	89	99	104	129										
	44	23		31	41	52	61	70	79	91	100	114	143									
45	4 spaces @ 11.25'	36		18	21	25	28	33	38	42	46	52	62	72	79	95	100	112	117	128	138	
		40		19	21	22	27	31	35	39	44	47	55	64	75	87	95	101	112	113	128	
		44		19	21	22	24	29	33	37	39	45	53	61	74	76	89	95	102	108	114	
		48		18	21	22	24	28	31	34	38	40	51	55	63	75	83	94	95	107	109	
	5 spaces @ 9.00'	36		16	22	27	33	38	44	52	55	63	74	86	101	109	125	136				
		40		16	21	25	30	36	42	45	53	56	68	75	88	102	111	122	128			
		44		16	21	24	29	34	38	44	46	54	65	74	85	90	103	110	123	130	142	
		48		20	21	24	27	32	36	41	45	52	59	67	75	91	95	106	112	118	134	
	6 spaces @ 7.50'	36		19	24	31	38	45	52	58	66	74	93	100	115	134						
		40		19	23	28	34	40	47	53	60	67	79	97	103	117	137	140				
		44		19	21	27	32	38	46	50	54	62	76	90	100	107	118	139	142			
		48		20	21	26	30	36	42	48	55	59	69	78	92	102	110	122	143	143		
	7 spaces @ 6.43'	36		20	27	35	44	52	58	66	74	86	101	115	135							
		40		20	26	33	40	47	54	61	67	75	97	105	127	138						
		44		20	24	30	39	46	54	61	62	69	90	100	113	129	143					
		48		20	23	29	36	41	49	55	63	70	79	92	107	117	133	145				
	8 spaces @ 5.62'	36		21	30	38	48	58	67	78	94	98	114	135								
		40		20	28	36	46	53	61	68	80	89	105	118	137							
		44		20	27	34	41	51	58	66	73	81	99	109	130	141						
		48		21	26	32	39	47	55	63	68	74	92	104	116	142	146					
	9 spaces @ 5.00'	36		24	34	45	55	66	74	88	98	104	135									
		40		22	31	39	49	61	69	80	89	100	113	138								
		44		23	31	39	48	58	66	76	89	99	108	132								
		48		23	29	37	47	55	63	70	79	91	106	117	133							
	10 spaces @ 4.50'	36	26	38	49	60	73	86	98	105	116	137										
		40	25	35	47	60	66	76	90	102	112	140										
		44	24	33	46	54	64	72	89	99	104	130	142									
		48	24	31	40	49	62	71	78	91	100	114	134									
			52	23	31	39	50	56	67	72	80	93	107	123	147							



Introduction
 General Joist Information
 Economical Design Guide
 Top Chord Ext., K-Series
 Joist Substitutes & Outriggers
 KCS Joists
 Joist LRFD Load Tables
 Joist ASD Load Tables
 Load/Weight Tables
 Joist Girder Weight Tables
 SJI Standard Specifications
 SJI Code of Practice
 Fire Resistance Ratings
 OSHA Safety Standards

Design Guide Weight Table for Joist Girders

JOIST GIRDER STANDARD WEIGHTS

PANEL POINT LOAD (kips)		ASD	4	6	8	10	12	14	16	18	20	24	28	32	36	40	44	48	52	56					
		LRFD	6	9	12	15	18	21	24	27	30	36	42	48	54	60	66	72	78	84					
GIRDER SPAN (ft)	JOIST SPACES (ft)	GIRDER DEPTH (in)	JOIST GIRDER WEIGHT - POUNDS PER LINEAR FOOT (plf)																						
			48	5 spaces @ 9.60'	36	19	26	31	37	45	52	59	66	71	87	111	113	135	136						
40	19	23			29	35	41	46	52	59	68	77	92	112	114	136	138								
44	19	22			27	32	37	44	48	54	61	69	80	90	93	113	116	126	139	150					
48	19	21			25	30	36	40	48	48	55	69	78	90	96	115	116	128	140	142					
52	20	21			25	29	33	39	42	50	54	62	71	82	92	99	117	118	130	141					
56	20	21			24	29	33	38	40	46	50	59	71	79	85	100	100	119	120	133					
6 spaces @ 8.00'	36	20		28	35	42	51	62	70	78	83	100	122	134	147										
	40	19		25	33	39	47	56	64	71	79	93	112	124	137	148									
	44	19		24	31	36	45	50	57	65	73	81	102	115	127	138	151								
	48	19		23	30	35	40	48	52	59	67	78	95	105	116	129	141	160							
	52	20		23	27	32	38	46	51	59	60	75	83	97	107	130	131	144	162						
	56	20		22	27	31	37	42	48	54	61	69	80	91	107	120	132	134	153	165					
8 spaces @ 6.00'	36	30		36	45	56	64	78	91	100	122	134													
	40	28		33	42	51	59	70	80	92	101	124	148												
	44	27		32	39	49	55	65	74	82	95	114	127	150											
	48	26		30	37	47	53	60	68	76	84	105	129	131	154										
	52	26		30	36	44	51	59	65	71	80	99	119	132	146	164									
	56	25		28	36	43	49	57	63	69	78	90	109	123	136	155									
9 spaces @ 5.33'	36	35		44	55	70	79	91	99	121	122	146													
	40	34		42	52	63	74	88	93	101	113	136													
	44	33		39	50	59	69	83	91	94	103	126	150												
	48	33		37	46	56	66	76	85	94	97	118	130												
	52	31		36	46	54	63	72	80	95	101	108	132	152											
	56	31		35	44	53	62	69	80	89	98	103	123	137	165										
12 spaces @ 4.00'	36	35		52	71	84	100	123	135	148															
	40	34		48	65	76	93	113	125	137	149														
	44	31		44	57	73	82	102	115	126	139														
	48	30		41	53	67	76	88	104	117	130	153													
	52	30		39	52	61	76	84	97	107	131	144													
	56	27		38	49	61	70	81	91	108	122	135	165												
50	5 spaces @ 10.00'	40		18	23	30	38	44	47	56	60	68	79	93	113	124	136	138							
		44		17	22	29	34	40	46	51	56	61	76	89	94	113	126	137	139						
		48		19	22	28	31	38	42	48	55	61	69	78	94	96	115	127	139	141					
		52		20	22	25	31	35	40	45	49	55	62	74	82	96	116	117	129	141	142				
		56		20	22	25	30	32	40	43	50	51	63	71	83	92	99	117	119	131	142				
		60		20	20	24	30	33	36	42	46	51	58	65	76	86	96	101	120	121	133				
	6 spaces @ 8.33'	40		20	28	34	42	48	56	64	71	80	100	112	124	147									
		44		19	24	31	38	47	50	57	65	73	85	102	124	127	149								
		48		19	23	30	37	40	49	57	65	67	82	95	115	127	129	151							
		52		20	23	30	36	40	46	52	59	67	75	84	105	117	129	131	153	162					
		56		20	23	26	33	39	42	51	54	60	72	84	98	107	120	132	144	163	164				
		60		21	23	27	33	38	43	49	53	61	70	80	87	102	110	123	134	154	165				
	8 spaces @ 6.25'	40		22	31	39	51	59	67	78	86	96	110	135											
		44		21	29	37	47	53	61	70	80	96	103	118	139										
		48		21	27	35	42	51	58	69	76	81	99	114	130	142									
		52		21	25	33	40	49	55	63	70	78	99	107	121	141									
		56		24	29	36	42	47	56	64	68	78	94	108	118	137	148								
		60		24	27	35	40	47	55	61	69	74	83	103	110	123	139	149							
	9 spaces @ 5.56'	40	24	34	44	55	66	74	86	96	104	134													
		44	23	32	40	53	61	69	80	88	98	113	138												
		48	24	32	42	52	58	69	77	90	99	111	133												
		52	24	31	40	47	58	66	74	79	92	106	126	143											
		56	24	30	38	46	55	60	68	77	89	102	116	135											
		60	24	32	38	49	53	61	70	75	83	97	111	125	141										
	10 spaces @ 5.00'	40	26	38	49	60	74	87	96	104	116	136													
		44	25	36	47	60	68	84	96	102	112	140													
		48	24	34	46	54	65	76	89	99	103	130													
		52	24	34	45	52	62	70	79	91	100	114	134												
		56	23	32	41	48	60	70	76	87	93	107	134	146											
		60	24	31	40	49	57	66	73	81	94	109	119	138											
	12 spaces @ 4.17'	40	34	49	65	80	100	112	125	147															
		44	31	44	57	73	86	102	126	127	149														
		48	30	41	58	67	82	96	115	127	130	154													
		52	30	39	53	68	76	84	105	118	130	154													
		56	27	40	52	61	70	85	99	108	122	135	164												
		60	27	39	49	61	70	82	88	104	112	135	166												



Discover the easiest way to specify steel joists and Joist Girders:

www.newmill.com/digital-tools

Introduction
 General Joist Information
 Economic Design Guide
 Top Chord Ext., K-Series
 Joist Substitutes & Outriggers
 KCS Joists
 Joist LRFD Load Tables
 Joist ASD Load Tables
 Load/Load Weight Tables
 Joist Girder Weight Tables
 SJI Standard Specifications
 SJI Code of Stand. Practice
 Fire Resistance Ratings
 OSHA Safety Standards

Design Guide Weight Table for Joist Girders

JOIST GIRDER STANDARD WEIGHTS

PANEL POINT LOAD (kips)		ASD	4.0	5.0	6.0	7.0	8.0	9.0	10.0	11.0	12.0	13.0	14.0	16.0	18.0	20.0	22.0	24.0	26.0	28.0	
		LRFD	6.0	7.5	9.0	10.5	12.0	13.5	15.0	16.5	18.0	19.5	21.0	24.0	27.0	30.0	33.0	36.0	39.0	42.0	
GIRDER SPAN (ft)	JOIST SPACES (ft)	GIRDER DEPTH (in)	JOIST GIRDER WEIGHT - POUNDS PER LINEAR FOOT (plf)																		
			55	5 spaces @ 11.00'	44	21	21	24	25	29	32	35	38	41	43	47	53	59	63	71	82
48	21	21			23	24	28	30	32	35	38	41	43	49	56	60	64	71	73	83	
52	20	22			23	25	27	29	32	33	36	39	42	44	52	57	65	66	74	74	
56	20	21			24	24	26	28	31	33	36	37	39	44	51	53	58	66	66	74	
60	23	24			24	24	27	27	31	33	35	38	38	45	47	52	60	61	67	68	
66	24	24			24	25	26	28	28	33	34	37	37	42	47	48	55	56	62	69	
6 spaces @ 9.17'	44	19		22	26	29	33	36	38	43	45	51	52	59	66	75	86	86	98	101	
	48	20		22	24	28	31	33	36	40	44	46	50	56	64	68	75	87	89	98	
	52	20		22	24	26	29	33	35	37	41	59	59	66	74	86	93	99	109	110	
	56	18		21	24	25	28	31	35	36	39	42	47	52	55	63	70	71	78	91	
	60	20		21	24	25	29	30	33	35	38	39	43	48	55	60	64	71	75	80	
	66	19		20	22	24	28	30	31	33	36	39	40	47	50	56	62	65	73	73	
7 spaces @ 7.86'	44	21		24	28	33	36	39	44	50	53	59	59	70	75	87	97	102	111	120	
	48	21		24	27	31	34	38	43	45	51	54	56	65	72	76	89	98	103	110	
	52	21		23	26	29	33	36	39	44	46	52	55	62	69	74	86	91	100	105	
	56	20		22	25	28	31	35	38	40	46	48	53	55	64	70	79	87	92	101	
	60	21		22	24	27	30	33	36	39	41	47	49	56	64	68	72	81	93	94	
	66	22		22	24	26	30	32	36	37	40	43	48	52	58	65	70	74	83	84	
9 spaces @ 6.11'	44	24		29	34	39	46	52	55	60	67	74	74	87	98	105	116	135	137		
	48	24		28	32	38	40	47	53	57	61	68	69	81	97	103	107	118	129	139	
	52	25		30	33	39	43	47	52	57	65	65	73	77	90	104	105	114	125	133	
	56	24		29	32	38	43	46	51	53	59	66	67	75	87	92	105	107	117	128	
	60	24		27	32	36	40	45	47	52	56	60	67	71	80	93	95	108	109	118	
	66	24		27	31	35	39	42	46	49	54	58	61	71	78	83	91	97	111	113	
11 spaces @ 5.00'	44	30	36	43	49	55	63	67	74	87	88	97	106	126	137						
	48	28	33	39	45	54	61	65	69	76	87	89	103	112	128	139					
	52	27	34	37	44	52	55	62	66	73	77	88	99	105	115	131	142				
	56	27	33	39	42	48	54	60	64	68	77	80	93	102	107	118	134	146			
	60	26	31	37	40	47	49	58	64	67	72	77	82	95	108	110	121	137	148		
	66	26	31	36	39	45	50	54	60	65	68	74	82	97	98	113	117	126	141		
60	5 spaces @ 12.00'	48	21	23	27	29	33	35	39	43	44	49	51	57	63	69	76	87	89	94	
		52	21	22	27	28	31	33	36	40	44	45	47	52	60	65	69	77	85	90	
		56	22	23	24	28	30	31	34	36	41	44	45	52	59	63	69	74	78	87	
		60	22	23	24	28	29	32	34	35	40	42	45	49	53	60	66	70	75	80	
		66	24	24	24	26	30	30	33	35	36	38	42	47	51	56	61	67	72	73	
		72	25	25	25	25	27	30	31	35	36	37	39	45	48	56	56	63	69	70	
	6 spaces @ 10.00'	48	20	24	29	32	36	38	41	47	49	56	60	67	72	80	93	93	112	113	
		52	20	23	28	30	33	37	39	46	48	50	57	62	69	78	80	94	94	113	
		56	19	24	25	30	33	38	39	42	48	49	51	58	66	69	79	83	95	96	
		60	19	23	24	29	32	34	39	40	43	49	50	57	63	70	75	83	83	96	
		66	19	23	24	27	32	32	34	40	42	44	50	52	61	65	69	77	84	85	
		72	22	22	24	27	28	33	34	36	41	43	44	52	54	63	68	71	75	87	
	8 spaces @ 7.50'	48	24	29	34	39	43	49	56	57	64	72	72	80	93	112	123	125	136	148	
		52	23	29	31	37	40	48	50	57	58	66	72	81	94	103	114	125	127	139	
		56	23	26	31	36	38	44	49	51	58	60	66	75	83	96	104	116	127	129	
		60	23	26	32	33	39	42	47	50	53	59	61	69	77	85	98	106	118	129	
		66	28	30	33	34	41	43	46	48	53	57	62	70	78	82	90	100	108	120	
		72	29	30	31	34	36	41	46	47	52	58	59	66	73	80	90	92	104	110	
	10 spaces @ 6.00'	48	26	32	37	44	49	55	60	67	74	79	87	97	105	118	137	138			
		52	28	34	38	44	50	56	64	65	71	75	88	97	103	113	130	138			
		56	27	33	37	43	46	51	58	66	65	72	76	90	104	105	123	131	143		
		60	25	31	37	39	45	51	57	60	66	70	73	86	93	104	111	126	134		
		66	27	32	37	42	49	51	56	62	65	72	74	85	95	102	120	122	134	145	
		72	26	32	33	38	42	47	50	55	59	66	69	74	83	96	98	111	111	121	
12 spaces @ 5.00'	48	33	39	46	53	59	68	75	86	87	97	102	111	135							
	52	31	37	45	51	57	65	69	76	88	89	98	104	118	139						
	56	29	36	41	48	55	62	66	72	77	89	91	104	113	129	140					
	60	30	35	39	47	54	56	64	73	74	79	91	102	106	116	133	145				
	66	32	35	41	48	53	61	62	70	77	80	87	100	110	122	134	147	164			
	72	29	33	38	42	50	52	60	61	69	72	77	86	100	110	114	127	142	151		
15 spaces @ 4.00'	48	40	49	64	72	80	93	102	113	124	126	136									
	52	39	48	57	66	74	81	94	103	114	126	127	150								
	56	38	46	53	67	71	80	83	96	104	116	127	140	153							
	60	38	42	51	60	68	76	83	89	98	106	118	132	144							
	66	35	41	49	55	62	70	81	87	87	103	110	123	136	153	167					
	72	35	44	46	55	64	66	77	85	90	93	106	125	139	142	160	171				



Introduction
 General Joist Information
 Economical Design Guide
 Top Chord Ext., K-Series
 Joist Substitutes & Outriggers
 KCS Joists
 Joist LRFD Load Tables
 Joist ASD Load Tables
 Load/Weight Tables
 Joist Girder Weight Tables
 SJI Standard Specifications
 SJI Code of Stand. Practice
 Fire Resistance Ratings
 OSHA Safety Standards

Design Guide Weight Table for Joist Girders

JOIST GIRDER STANDARD WEIGHTS

PANEL POINT LOAD (kips)		ASD	4.0	5.0	6.0	7.0	8.0	9.0	10.0	11.0	12.0	13.0	14.0	16.0	18.0	20.0	22.0	24.0	26.0	28.0
		LRFD	6.0	7.5	9.0	10.5	12.0	13.5	15.0	16.5	18.0	19.5	21.0	24.0	27.0	30.0	33.0	36.0	39.0	42.0
GIRDER SPAN (ft)	JOIST SPACES (ft)	GIRDER DEPTH (in)	JOIST GIRDER WEIGHT - POUNDS PER LINEAR FOOT (plf)																	
			65	6 spaces @ 10.83'	52	22	28	30	33	39	41	45	49	54	58	61	69	78	83	95
56	21	25			29	33	35	40	42	48	49	55	58	63	70	80	84	97	97	117
60	23	24			29	32	34	39	41	44	50	50	56	64	71	76	82	92	98	99
66	22	24			26	31	33	35	40	42	45	51	51	58	65	73	78	83	87	100
8 spaces @ 8.12'	72	24		25	27	31	32	35	37	42	43	47	49	54	60	68	76	80	87	89
	52	25		31	38	40	44	51	58	62	66	74	74	83	97	115	127	129	141	153
	56	24		30	34	39	43	50	52	59	63	68	74	83	97	105	118	129	131	143
	60	23		28	33	39	41	47	51	53	60	68	69	77	85	99	108	119	130	133
9 spaces @ 7.22'	66	24		28	33	35	42	44	49	52	56	63	63	75	80	89	101	110	122	124
	72	38		39	39	39	42	45	47	52	56	58	65	73	78	89	92	104	113	125
	52	30		32	38	44	49	58	62	67	74	79	83	97	116	128	129	142	153	
	56	26		32	39	42	48	53	59	68	68	76	81	98	106	118	130	142	144	155
10 spaces @ 6.50'	60	25		32	38	40	47	51	58	60	69	70	78	86	100	109	120	132	145	146
	66	28		32	37	41	44	50	53	60	64	71	72	81	89	103	112	124	136	138
	72	29		30	35	38	44	46	52	57	62	66	71	79	91	91	108	115	127	140
	52	31		36	41	49	58	62	67	75	82	89	97	116	128	131	154	155		
11 spaces @ 5.91'	56	31		36	40	46	52	60	68	69	77	85	91	107	119	132	144			
	60	29		34	40	44	51	57	61	70	74	78	87	100	109	122	134	146		
	66	27		34	39	43	50	54	60	65	72	74	82	90	103	113	125	138	140	163
	72	27		33	37	44	47	52	56	62	67	75	76	87	93	110	127	129	141	143
13 spaces @ 5.00'	52	33		39	45	52	59	67	75	83	89	98	106	118	131	153				
	56	32		39	44	51	60	64	69	77	85	91	99	119	132	144	156			
	60	33		38	44	49	55	63	70	74	79	86	92	109	122	134	147			
	66	30		37	42	46	54	57	64	72	73	81	90	104	113	125	139	147	164	
70	7 spaces @ 10.00'	72	30	36	41	47	51	57	62	67	77	77	88	93	110	118	131	144	156	173
		52	37	45	55	64	72	79	89	98	106	117	130	142						
		56	37	43	53	61	69	77	86	91	99	108	120	133	146					
		60	35	41	50	58	64	71	77	85	93	100	108	131	134	158				
	9 spaces @ 7.78'	66	34	41	49	53	62	70	75	80	87	93	102	122	134	137	161			
		72	34	41	46	53	58	64	72	78	85	90	113	127	138	141	170			
		56	24	25	30	35	39	43	46	51	56	57	64	71	83	88	102	102	110	121
		60	23	26	30	33	37	43	44	50	52	57	61	66	73	85	90	102	105	111
	10 spaces @ 7.00'	66	24	27	30	32	35	39	44	46	51	53	58	67	73	75	87	93	104	106
		72	24	25	29	32	34	38	42	46	47	53	54	60	69	76	78	89	94	102
		78	25	26	28	31	34	37	40	43	47	49	50	58	63	71	78	83	90	96
		84	24	27	29	31	35	37	39	42	44	49	51	57	65	69	72	80	85	94
	11 spaces @ 6.36'	56	26	31	37	40	45	53	56	61	67	72	75	88	102	110	122	128		
		60	25	30	35	39	45	47	54	61	65	70	73	89	99	105	114	129	131	
		66	31	34	38	43	48	51	56	63	67	70	74	86	92	106	112	122	127	
		72	32	33	37	43	45	51	56	58	64	67	69	77	89	100	108	114	124	131
	12 spaces @ 5.83'	78	32	34	36	39	45	48	53	59	60	66	66	76	87	93	102	110	116	118
		84	33	34	35	38	45	47	50	55	59	63	67	72	81	94	95	103	113	118
		56	27	34	38	45	53	57	60	68	75	80	88	100	106	118	137			
		60	30	36	41	48	55	60	65	69	71	84	88	102	109	122	130			
	14 spaces @ 5.00'	66	29	35	42	44	51	55	62	66	70	73	85	91	105	109	123	132		
		72	30	34	38	43	47	52	59	63	66	69	78	88	94	106	112	127	133	
		78	30	33	37	40	46	51	55	61	65	71	71	79	94	96	108	115	130	137
		84	31	33	36	40	47	49	55	57	63	70	72	80	92	98	109	112	121	133
14 spaces @ 5.00'	56	32	41	45	51	60	64	71	83	87	89	102	108	127	138					
	60	30	39	44	50	57	65	66	73	85	89	90	104	114	129					
	66	31	38	43	46	53	59	67	67	76	86	88	105	106	117	132				
	72	32	37	42	48	55	57	62	70	70	78	82	94	108	109	119	136	148		
14 spaces @ 5.00'	78	29	35	40	47	50	55	61	65	73	72	80	92	98	110	118	124	140	141	
	84	30	36	39	45	49	52	59	66	68	73	78	84	97	102	116	124	129	144	
	56	34	41	50	56	63	68	76	87	88	102	103	113	129						
	60	33	39	46	55	58	65	74	76	89	90	103	112	128	139					
14 spaces @ 5.00'	66	32	37	45	48	55	63	67	76	78	90	92	105	115	130	143				
	72	32	37	42	48	55	61	65	69	77	80	89	102	107	119	135	148			
	78	30	36	42	48	51	56	64	70	72	80	84	97	106	113	123	141	151		
	84	30	36	40	45	51	53	61	68	73	77	83	89	102	115	118	128	144	151	
14 spaces @ 5.00'	56	36	44	53	63	71	75	87	96	102	111	120	137							
	60	37	43	54	61	69	75	88	89	99	103	112	128							
	66	35	42	48	55	64	70	77	90	92	102	106	115	132						
	72	34	40	49	55	61	69	73	81	91	95	103	110	120	138					
14 spaces @ 5.00'	78	33	39	44	52	58	67	72	76	84	92	97	111	120	138	141				
	84	33	40	44	51	58	62	69	78	79	86	97	106	116	127	143	155			



Discover the easiest way to specify steel joists and Joist Girders:

www.newmill.com/digital-tools

Introduction
 General Joist Information
 Economic Design Guide
 Top Chord Extr. K-Series
 Joist Substitutes & Outriggers
 KCS Joists
 Joist LRFD Load Tables
 Joist ASD Load Tables
 Load/Load Weight Tables
 Joist Girder Weight Tables
 SJI Standard Specifications
 SJI Code of Practice
 Fire Resistance Ratings
 OSHA Safety Standards

Design Guide Weight Table for Joist Girders

JOIST GIRDER STANDARD WEIGHTS																					
PANEL POINT LOAD (kips)		ASD	4.0	5.0	6.0	7.0	8.0	9.0	10.0	11.0	12.0	13.0	14.0	16.0	18.0	20.0	22.0	24.0	26.0	28.0	
		LRFD	6.0	7.5	9.0	10.5	12.0	13.5	15.0	16.5	18.0	19.5	21.0	24.0	27.0	30.0	33.0	36.0	39.0	42.0	
GIRDER SPAN (ft)	JOIST SPACES (ft)	GIRDER DEPTH (in)	JOIST GIRDER WEIGHT - POUNDS PER LINEAR FOOT (plf)																		
			75	8 spaces @ 9.38'	56	29	33	40	43	49	55	61	65	73	79	82	95	115	116	128	140
60	26	32			38	42	48	51	58	63	70	75	80	92	97	116	118	130	142	153	
66	27	32			35	41	44	51	53	60	64	69	72	82	98	99	118	120	132	144	
72	26	32			34	41	43	46	52	58	61	66	71	79	87	100	101	121	122	134	
78	27	29		34	37	43	45	54	54	61	64	69	77	81	89	103	105	123	125		
10 spaces @ 7.50'	60	32		39	42	50	59	67	69	76	83	89	98	117	129	131	154				
	66	32		37	42	49	55	62	69	70	78	86	87	100	119	132	134				
	72	30		36	42	45	54	57	63	72	73	81	86	101	111	123	136	138			
	78	31		35	39	46	48	56	63	66	74	75	82	91	105	114	127	139	152		
12 spaces @ 6.25'	84	31		36	39	45	49	55	59	65	69	77	78	94	95	110	128	131	143	156	
	60	38		43	51	59	68	76	84	90	98	106	118	131	144						
	66	35		42	50	55	62	70	79	87	90	100	110	122	135	148					
	72	36		41	46	54	63	65	73	81	90	91	104	124	126	141	154				
14 spaces @ 5.36'	78	35		42	47	54	61	68	76	78	86	90	98	105	126	139	152	163			
	84	34		39	46	52	56	64	70	78	79	90	92	106	126	139	141	164	171		
	66	41		48	56	63	72	80	89	102	111	122	125	137							
	72	41		46	52	61	70	75	84	95	101	110	121	134	148						
15 spaces @ 5.00'	78	37		44	53	61	68	76	80	89	98	103	107	125	139	151					
	84	38		44	52	57	64	71	79	86	92	100	108	127	130	153	171				
	90	37		42	50	58	66	73	77	87	94	94	110	119	142	144	173	176			
	66	41		52	60	69	77	85	98	106	118	120	132	146							
80	8 spaces @ 10.00'	72		42	52	59	67	74	84	87	99	110	121	123	146	160					
		78		41	47	54	65	73	77	88	91	104	112	124	139	152	169				
		84		39	46	55	63	67	76	86	92	93	109	116	131	143	171	174			
		90	38	46	52	60	69	74	81	90	95	103	118	133	145	146	177				
	10 spaces @ 8.00'	60	28	31	37	42	45	51	56	63	64	72	75	88	97	103	112	127	137		
		66	30	31	35	38	45	47	52	57	62	65	70	77	90	103	105	113	129	131	
		72	29	32	33	38	41	46	48	53	59	63	68	76	87	92	106	108	116	126	
		78	30	31	33	37	41	42	47	53	56	60	64	73	81	88	94	109	111	118	
	12 spaces @ 6.67'	84	30	32	35	37	39	43	48	52	56	59	63	71	79	83	96	98	112	114	
		90	53	54	56	56	57	57	58	60	63	67	70	79	79	90	95	103	105	118	
		60	31	35	41	47	53	60	68	75	76	88	97	103	112	129	139				
		66	31	35	39	46	52	55	62	70	75	78	90	100	107	115	132	142			
	14 spaces @ 5.71'	72	33	37	43	50	55	62	63	70	74	83	87	97	106	120	127				
		78	32	36	42	46	51	56	63	68	71	76	86	90	100	112	122	130			
		84	33	37	42	45	51	57	61	65	70	77	78	91	100	109	115	125	131		
		90	34	36	40	44	49	53	60	65	68	72	77	87	92	102	111	118	132	136	
	16 spaces @ 5.00'	66	36	44	50	57	65	70	73	86	90	103	103	115	130						
		72	34	42	47	54	59	67	72	77	86	92	101	107	125	133					
		78	33	39	46	53	60	65	69	79	80	88	94	108	114	129	136				
		84	34	38	47	49	56	63	70	72	79	83	92	99	111	121	138	140			
	16 spaces @ 5.00'	90	36	39	44	50	56	59	66	72	74	82	86	101	113	116	125	143	149		
		96	34	37	43	50	54	60	68	71	75	79	85	98	104	117	120	130	147	156	
		66	39	47	57	64	73	77	89	98	103	109	113	129							
		72	38	46	54	59	67	76	79	91	101	106	106	125	143						
16 spaces @ 5.00'	78	36	43	50	58	66	70	78	90	95	96	109	118	136	149						
	84	36	42	50	56	64	71	74	80	92	98	99	112	124	143						
	90	36	41	48	53	61	68	74	82	86	95	100	115	121	136	146					
	96	37	40	47	53	61	67	74	79	84	88	100	108	118	127	145	152				
16 spaces @ 5.00'	66	42	53	62	70	78	90	101	105	113	129	130									
	72	41	50	57	69	76	81	93	102	109	116	118	145								
	78	41	49	58	66	73	83	91	96	104	112	120	137	149							
	84	39	45	54	61	69	76	84	97	100	109	115	126	143							
16 spaces @ 5.00'	90	39	46	54	62	70	74	80	86	101	102	114	119	144	155						
	96	40	46	55	58	68	73	81	88	94	106	110	121	133	155	164					



Introduction
 General Joist Information
 Economical Design Guide
 Top Chord Ext., K-Series
 Joist Substitutes & Outriggers
 KCS Joists
 Joist LRFD Load Tables
 Joist ASD Load Tables
 Load/Weight Tables
 Joist Girder Weight Tables
 SJI Standard Specifications
 SJI Code of Practice
 Fire Resistance Ratings
 OSHA Safety Standards

Design Guide Weight Table for Joist Girders

JOIST GIRDER STANDARD WEIGHTS																				
PANEL POINT LOAD (kips)		ASD	4.0	5.0	6.0	7.0	8.0	9.0	10.0	11.0	12.0	13.0	14.0	16.0	18.0	20.0	22.0	24.0	26.0	28.0
		LRFD	6.0	7.5	9.0	10.5	12.0	13.5	15.0	16.5	18.0	19.5	21.0	24.0	27.0	30.0	33.0	36.0	39.0	42.0
GIRDER SPAN (ft)	JOIST SPACES (dec ft)	GIRDER DEPTH (in)	JOIST GIRDER WEIGHT - POUNDS PER LINEAR FOOT (plf)																	
			90	9 spaces @ 10.00'	72	40	42	46	49	55	60	64	72	81	82	92	98	117	119	141
84	41	44			48	48	50	54	60	67	75	76	84	88	102	121	124	135	148	149
90	54	55			56	56	57	59	62	65	72	77	85	88	99	105	125	128	138	
96	55	56			57	57	58	59	64	65	69	74	80	91	98	107	110	128	131	142
102	55	57		57	58	59	60	62	65	69	74	75	87	95	105	112	130	133	134	
10 spaces @ 9.00'	72	42		46	48	52	61	64	72	78	85	93	99	118	130	142	155			
	84	42		45	49	51	58	62	69	73	81	94	97	115	117	137	148			
	90	42		46	50	51	56	60	66	71	79	81	89	100	107	126	129	141		
	96	43		46	48	53	56	59	66	70	74	82	87	95	108	113	129	133	153	
102	43	45		48	53	57	60	65	69	76	77	84	97	105	115	124	131	137	155	
11 spaces @ 8.18'	72	43		47	51	59	65	73	78	86	99	100	119	120	143					
	84	43		49	50	55	62	67	74	78	87	91	100	113	126	138	150			
	90	45		48	51	53	59	66	72	77	85	90	93	107	128	129	142			
	96	47		48	53	56	60	63	71	75	81	87	95	105	113	132	134	148		
102	48	49		57	58	61	64	70	73	82	86	94	101	116	124	138	150	163		
12 spaces @ 7.50'	78	44		49	53	60	68	72	79	88	102	103	111	124	149					
	84	45		49	52	56	65	75	79	84	91	103	105	125	137	149				
	90	46		50	52	60	68	75	79	88	89	100	106	126	128	151	152			
	96	46		48	52	58	63	72	76	82	90	93	103	110	129	132	153	156		
108	45	49		55	56	64	66	76	81	85	92	97	107	115	135	137	160	168		
15 spaces @ 6.00'	78	47		54	66	75	82	94	99	120	121	133	145	148						
	84	49		54	62	68	76	86	97	103	122	124	125	149						
	90	50		52	60	69	78	82	90	99	106	125	127	140	153					
	96	48		53	58	66	72	80	93	95	108	112	129	131	154	173				
108	51	57	59	64	72	78	87	99	101	109	115	136	139	168	172					
18 spaces @ 5.00'	78	51	62	74	84	99	102	120	133	145	148	159								
	84	51	61	73	80	89	104	113	124	137	150	151								
	90	52	58	70	79	90	93	106	126	129	142	153	166							
	96	53	58	68	78	87	95	108	113	131	133	144	158							
108	57	59	64	76	85	95	103	113	120	127	139	151	172							
100	10 spaces @ 10.00'	78	45	49	52	55	58	62	68	75	79	91	92	106	115	131	140			
		84	47	50	53	55	58	61	69	72	77	81	93	102	109	118	133	143		
		96	55	56	56	57	62	64	68	74	84	86	87	102	116	125	126			
		102	55	56	57	58	61	64	66	73	77	86	89	100	106	121	127	133		
	108	56	57	58	59	61	64	67	70	76	80	87	92	106	107	127	130			
	12 spaces @ 8.33'	78	48	53	56	62	70	74	86	92	97	105	112	124						
		84	48	52	55	63	68	72	84	88	98	99	107	126	133					
		96	47	51	55	58	66	67	75	81	91	93	102	111	116	131				
		102	48	52	55	58	62	69	73	79	90	94	95	113	118	133	141			
	108	48	51	55	59	62	70	72	76	85	92	97	106	117	123	139	149			
	15 spaces @ 6.67'	78	53	56	67	75	86	91	104	106	115	125	133							
		84	53	56	61	69	78	88	94	107	113	118	128							
		96	52	56	61	68	72	82	93	99	105	114	118	133						
		102	53	56	60	66	74	83	85	97	102	116	117	125	144					
	108	53	56	59	65	73	77	87	99	103	104	118	123	140	149					
	16 spaces @ 6.25'	84	53	58	69	72	80	92	106	107	117	127	133							
		96	53	57	63	71	75	85	98	100	115	115	124	140						
		102	53	57	62	66	74	84	97	102	111	117	118	136	154					
		108	54	58	62	67	76	82	87	100	104	117	118	129	148					
	120	56	61	64	70	76	83	86	93	104	109	116	128	140	161					
	17 spaces @ 5.88'	84	55	61	70	77	88	94	107	114	127	133	145							
		96	54	59	65	72	80	93	99	113	115	121	135	151						
		102	55	59	66	73	79	87	98	102	118	118	127	144						
		108	55	60	65	69	78	87	91	105	107	119	120	140	160					
120	56	62	67	71	78	87	93	100	110	112	125	133	149	168						
18 spaces @ 5.56'	84	55	61	70	81	94	102	109	118	134	144									
	96	55	60	65	72	84	97	100	114	120	124	140								
	102	56	61	66	73	84	89	102	112	118	125	137	154							
	108	57	60	68	73	82	91	104	106	119	121	130	148							
120	59	64	69	75	84	88	98	108	113	122	129	142	163							
20 spaces @ 5.00'	84	58	66	77	94	103	109	118	134	146										
	96	60	65	73	83	99	108	115	123	125	144	153								
	102	59	65	71	80	89	103	114	121	129	147	147								
	108	60	67	71	80	89	106	110	123	126	134	149	164							
120	68	73	90	101	108	113	123	133	152	155	166	182	200							



Discover the easiest way to specify steel joists and Joist Girders:

www.newmill.com/digital-tools

Introduction
 General Joist Information
 Economic Design Guide
 Top Chord Extr. K-Series
 Joist Substitutes & Outriggers
 KCS Joists
 Joist LRFD Load Tables
 Joist ASD Load Tables
 Load/Load Weight Tables
 Joist Girder Weight Tables
 SJI Standard Specifications
 SJI Code of Practice
 Fire Resistance Ratings
 OSHA Safety Standards

Design Guide Weight Table for Joist Girders

JOIST GIRDER STANDARD WEIGHTS

PANEL POINT LOAD (kips)		ASD	4.0	5.0	6.0	7.0	8.0	9.0	10.0	11.0	12.0	13.0	14.0	16.0	18.0	20.0	22.0	24.0	26.0	28.0			
		LRFD	6.0	7.5	9.0	10.5	12.0	13.5	15.0	16.5	18.0	19.5	21.0	24.0	27.0	30.0	33.0	36.0	39.0	42.0			
GIRDER SPAN (ft)	JOIST SPACES (dec ft)	GIRDER DEPTH (in)	JOIST GIRDER WEIGHT - POUNDS PER LINEAR FOOT (plf)																				
			110	10 spaces @ 11.00'	84	54	58	61	65	69	73	82	83	94	99	100	120	143	144				
96	62	62			63	65	69	72	81	82	91	97	98	107	125								
108	63	63			64	67	69	72	75	82	86	91	95	105	113	131	133						
114	63	64			67	68	72	73	76	79	86	88	96	108	115	133	136						
12 spaces @ 9.17'	120	64		64	66	69	72	74	76	81	83	88	90	100	111	128	137	140					
	84	58		62	66	70	74	84	88	101	109	120	122	144									
	96	57		62	66	70	74	79	88	92	101	107	125	127	151								
	108	58		64	68	72	75	79	84	90	95	106	111	132	136	158							
14 spaces @ 7.86'	114	59		65	66	71	75	79	84	89	102	106	107	126	134	156	158						
	120	59		62	67	72	74	79	82	91	96	107	109	126	135	158	161						
	84	60		66	71	76	84	97	102	122	123	134	147										
	96	60		65	69	74	83	95	100	105	124	125	136	150									
16 spaces @ 6.88'	108	60		64	69	72	78	87	99	103	108	120	128	142	155								
	114	61		65	69	74	79	84	93	103	105	111	124	133	157								
	120	60		66	69	74	80	82	90	96	106	109	126	135	158	160							
	96	62		68	72	79	89	104	106	125	126	147	149										
18 spaces @ 6.11'	102	63		67	74	80	89	103	108	125	127	128	152	156									
	108	64		68	73	81	83	95	104	110	127	130	142	158									
	114	65		70	74	80	86	95	105	111	114	132	135	161	162								
	120	66		69	75	81	88	97	99	109	117	135	138	152	165								
20 spaces @ 5.50'	96	64		71	77	87	99	106	125	127	148	151											
	102	66		70	80	89	101	109	127	128	139	152	153										
	108	66		71	77	83	94	106	111	129	131	144	157										
	114	67		73	79	85	97	107	113	132	134	137	159	163									
120	10 spaces @ 12.00'	120	68	74	79	88	91	101	110	118	136	139	152	166									
		96	68	77	82	99	106	125	139	152	154												
		102	69	75	81	94	109	129	130	142	154	155											
		108	69	77	83	94	106	114	132	133	145	157	169										
	12 spaces @ 10.00'	114	69	77	86	91	101	115	134	135	147	160	161										
		120	66	72	77	83	93	106	113	126	128	137	154	167									
		96	63	66	69	72	76	78	82	86	89	89	94	108	115	129							
		102	64	67	69	71	75	79	83	83	86	91	92	110	117	131	137						
	15 spaces @ 8.00'	108	78	79	82	83	83	83	86	91	95	94	100	108	126								
		114	78	79	82	83	83	84	86	91	90	95	95	109	127	128							
		120	79	81	83	84	84	85	86	88	92	92	97	102	113	133							
		96	68	69	71	77	82	86	90	99	100	113	125	130									
	16 spaces @ 7.50'	102	68	69	72	78	80	85	88	96	101	102	116	130									
		108	69	70	72	75	81	86	90	91	99	103	105	128	134								
		114	70	70	71	75	82	86	87	92	95	100	130	121	135								
		120	70	71	72	76	80	84	88	92	93	102	107	123	133	138							
	18 spaces @ 6.67'	96	69	74	77	82	90	96	109	115	125	129	134										
		102	70	73	78	84	88	93	103	113	118	129	132										
		108	70	73	80	85	90	95	101	106	115	119	133										
		114	70	73	78	83	88	93	98	107	117	121	122	137									
	20 spaces @ 6.00'	120	72	74	78	84	89	94	99	100	110	118	124	140									
		96	70	76	80	85	90	100	109	114	128	134											
		102	70	74	78	86	92	97	110	112	120	131	137										
		108	70	74	80	85	90	95	100	114	120	124	133										
24 spaces @ 5.00'	114	70	73	81	86	91	96	101	107	117	122	135	145										
	120	70	75	79	85	90	94	99	103	118	119	126	147										
	96	71	77	85	89	95	109	116	129	136													
	102	72	78	83	87	97	111	113	121	138	138												



Introduction
 General Joist Information
 Economical Design Guide
 Top Chord Ext., K-Series
 Joist Substitutes & Outriggers
 KCS Joists
 Joist LRFD Load Tables
 Joist ASD Load Tables
 Load/Weight Tables
 Joist Girder Weight Tables
 SJI Standard Specifications
 SJI Code of Stand. Practice
 Fire Resistance Ratings
 OSHA Safety Standards